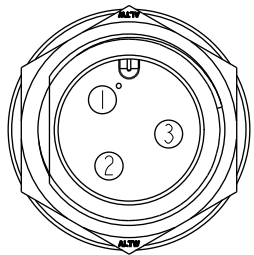
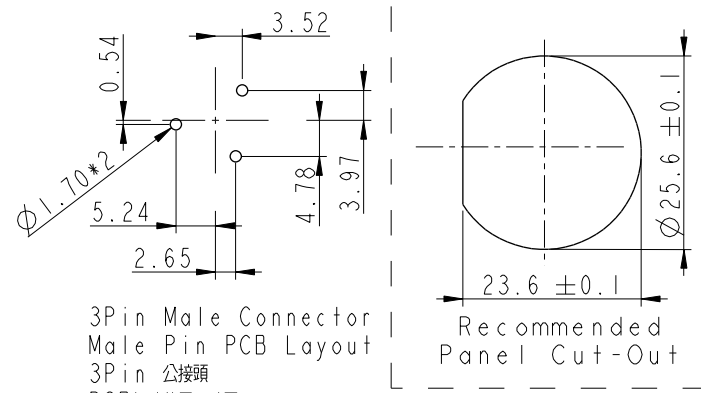
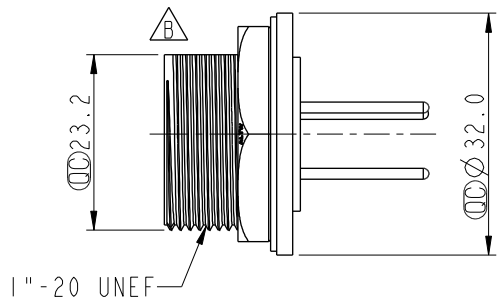


REV.	ECN NO.	DATE	SIGN	DESCRIPTION
C	LEN1730328	2017/03/22	Vicky	Update Logo
D	LEN1840080	2018/04/13	Ethan	Modify Panel Thickness
E	CI90310	2019/03/12	Ruru	Modify Note

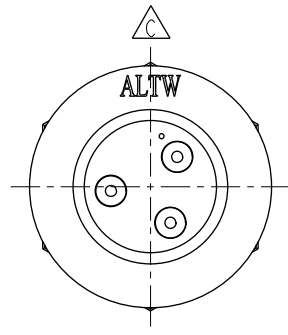
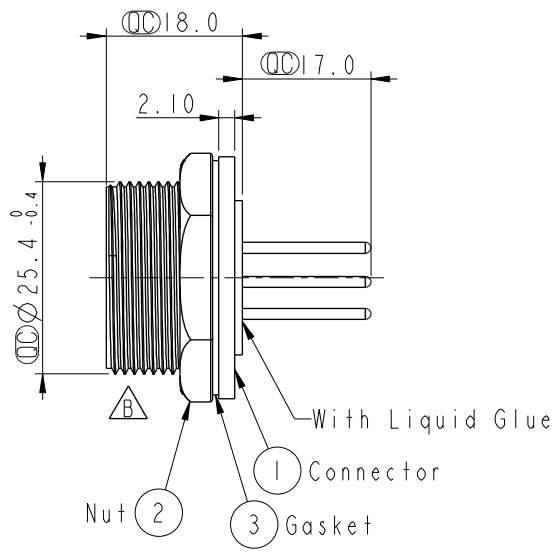
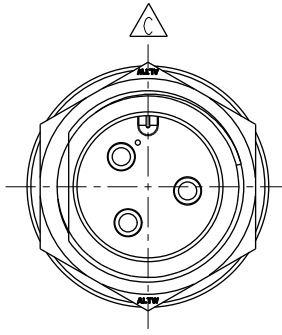
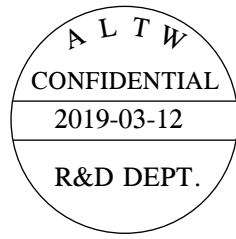


Pin Assignments  
Front View



3Pin Male Connector  
Male Pin PCB Layout  
3Pin 公接頭  
PCB挖孔位置尺寸圖

Recommended  
Panel Cut-Out



- Note:
- \* Important Dimension
  - \* Waterproof Rate: IP67, Unmated
  - \* Housing: Thermoplastic, Black
  - \* Pin: Copper Alloy, Gold Plated
  - \* Nut: Thermoplastic, Black
  - \* Gasket: Rubber, Black
  - \* Use Waterproof Cap or Dust Cap  
Panel Thickness Max: 1.8mm
  - \* Use without Waterproof Cap or Dust Cap  
Panel Thickness Max: 3.0mm
  - \* Gasket and Nut are packed separately in PE bags.

UNIT:mm		
TOLERANCE	.X ±0.25	
	.XX ±0.1	
	.XXX ±0.05	
ANGLES	±1°	

TITLE Screw Type Connector For Panel Mount 3Pin Male Connector Male Pin(20A)			
SCALE 1:1	SIZE A4	SHEET 1 OF 1	
REV. E	WC-REV. A.3	: Inspection item	

**Amphenol LTW**  
安費諾亮泰企業股份有限公司

ITEM NO DC-03PMMP-SC7001	DRAWN BY Ruru	DATE 2019-03-12
DWG NO DC-03PMMP-SC7001	CHECKED BY Rita	DATE 2019-03-12
CUSTOMER ALTW	APPROVED BY Max	DATE 2019-03-12

THIS DOCUMENT IS SUBJECT TO CHANGE WITHOUT NOTICE. IT IS CONFIDENTIAL AND A PROPERTY OF Amphenol LTW. DISCLOSURE TO THIRD PARTY HAS TO BE AUTHORIZED BY Amphenol LTW.

# Mouser Electronics

Authorized Distributor

Click to View Pricing, Inventory, Delivery & Lifecycle Information:

[Amphenol:](#)

[DC-03PMMP-SC7001](#)