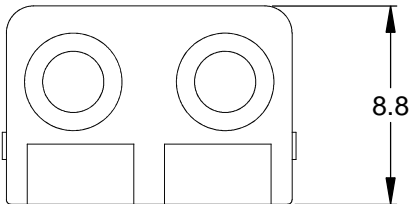
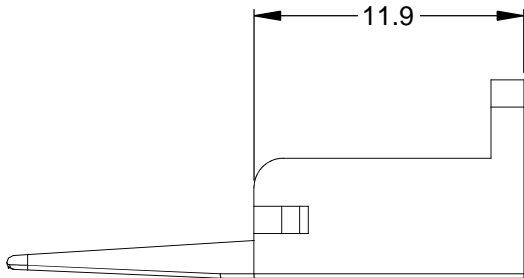
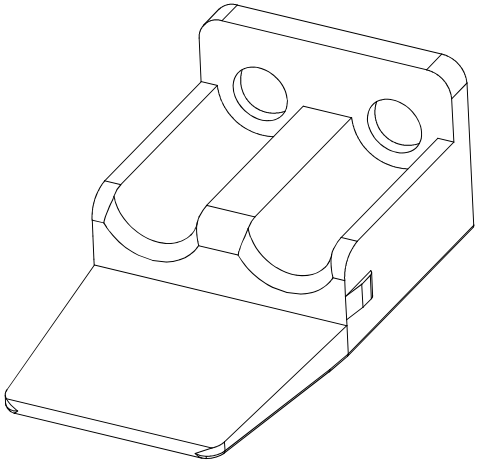
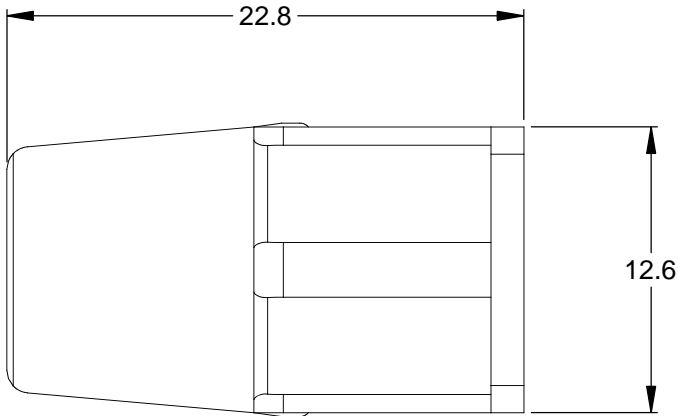


| REVISIONS | | | | | |
|-----------|-----|------------------------|-----------|-----|------|
| REV | ECO | DESCRIPTION | DATE | BY | APPR |
| A3 | | RELEASE NEW DWG FORMAT | 18/SEP/13 | DRP | |



NOTES: UNLESS OTHERWISE SPECIFIED

1. MATERIAL: THERMOPLASTIC; COLOR: ORANGE
2. RoHS COMPLIANT
3. CAVITIES: 2
4. KEYED: N/A
5. USE WITH CONNECTORS ATP06-2S*
(* = MODIFICATIONS AND COLORS)
6. ALL DIMENSIONS ARE FOR REFERENCE USE ONLY.

| AWP-2S | | | | | | | | | | | | | | | | | | |
|---|-------------|--|--------------|--|---------|----------|-----------|----------|--------|-----------|--|-----------|--|-----------|--|--|--|--|
| QUANTITY | PART NUMBER | DESCRIPTION | | | ITEM | | | | | | | | | | | | | |
| MATERIALS LIST | | | | | | | | | | | | | | | | | | |
| <small>UNLESS OTHERWISE SPECIFIED</small> 1) All dimensions are in metric (mm). 2) Tolerances are as follows: 1 PL DEC ±0.30 2 PL DEC ±0.15 3 PL DEC ±0.08 Fractions ±1/64 Angles ±1° 3) Note reference = | | <table border="1"> <tr> <th>SIGNATURES</th> <th>DATE</th> </tr> <tr> <td>D.PARKS</td> <td>18/SEP/13</td> </tr> <tr> <td>CHECKED:</td> <td></td> </tr> <tr> <td>ENGINEER:</td> <td></td> </tr> <tr> <td>APPROVAL:</td> <td></td> </tr> <tr> <td>CUSTOMER:</td> <td></td> </tr> </table> | | SIGNATURES | DATE | D.PARKS | 18/SEP/13 | CHECKED: | | ENGINEER: | | APPROVAL: | | CUSTOMER: | | <h1>Amphenol</h1> <p>Sine Systems - www.amphenol-sine.com 44724 Morley Drive Clinton Township, MI 48036</p> | | |
| SIGNATURES | DATE | | | | | | | | | | | | | | | | | |
| D.PARKS | 18/SEP/13 | | | | | | | | | | | | | | | | | |
| CHECKED: | | | | | | | | | | | | | | | | | | |
| ENGINEER: | | | | | | | | | | | | | | | | | | |
| APPROVAL: | | | | | | | | | | | | | | | | | | |
| CUSTOMER: | | | | | | | | | | | | | | | | | | |
| MATERIAL SPECIFICATIONS: | | THIS DRAWING IS SUPPLIED FOR INFORMATION ONLY. DESIGN FEATURES, SPECIFICATIONS AND PERFORMANCE DATA SHOWN HEREON ARE THE PROPERTY OF THE AMPHENOL CORPORATION. NO RIGHTS OF REPRODUCTION ARE IMPLIED. ALL DIMENSIONS ARE SUBJECT TO NORMAL MANUFACTURING VARIATIONS. | | S-WEDGELOCK, 2 POSITION, ATP SERIES | | | | | | | | | | | | | | |
| PROCESS SPECIFICATIONS: | | <table border="1"> <tr> <th>SIZE</th> <th>TYPE</th> <th>DWG NO:</th> <th>REVISION</th> </tr> <tr> <td>A</td> <td>C-</td> <td>AWP-2S</td> <td>A3</td> </tr> </table> | SIZE | TYPE | DWG NO: | REVISION | A | C- | AWP-2S | A3 | | | | | | | | |
| SIZE | TYPE | DWG NO: | REVISION | | | | | | | | | | | | | | | |
| A | C- | AWP-2S | A3 | | | | | | | | | | | | | | | |
| NEXT ASSY: | | SCALE: NONE | SHEET 1 OF 1 | | | | | | | | | | | | | | | |

Mouser Electronics

Authorized Distributor

Click to View Pricing, Inventory, Delivery & Lifecycle Information:

[Amphenol:](#)

[AWP-2S](#)