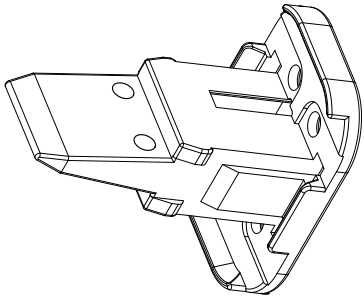
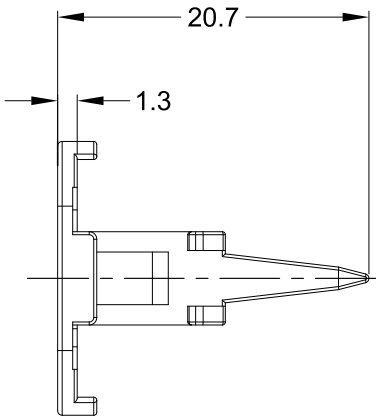
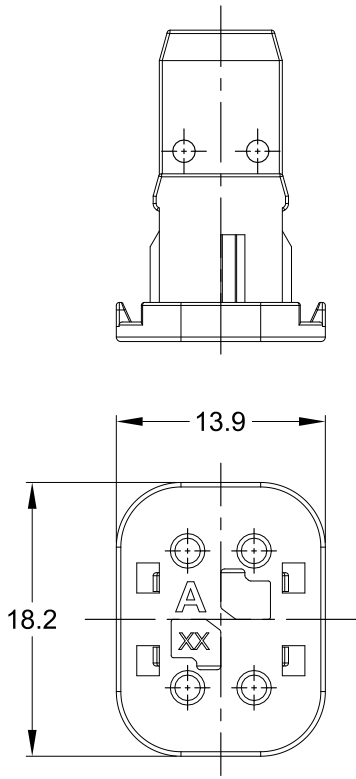


REVISIONS					
REV	ECO	DESCRIPTION	DATE	BY	APPR
A1	-	RELEASE NUMBER	11/JUL/22	RONALD	TOMMY



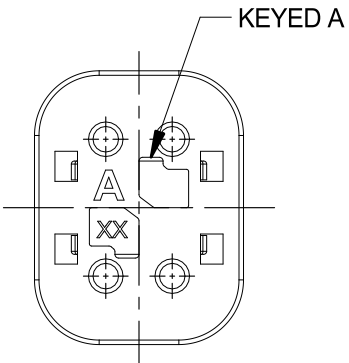
NOTES: UNLESS OTHERWISE SPECIFIED

1. MATERIAL: THERMOPLASTIC; COLOR: SEE SHEET 2
2. RoHS COMPLIANT
3. CAVITIES: 4
4. KEYED: SEE SHEET 2
5. USE WITH CONNECTORS AT06-4S\*  
(\* = MODIFICATIONS AND/OR COLORS)
6. ALL DIMENSIONS ARE FOR REFERENCE USE ONLY.

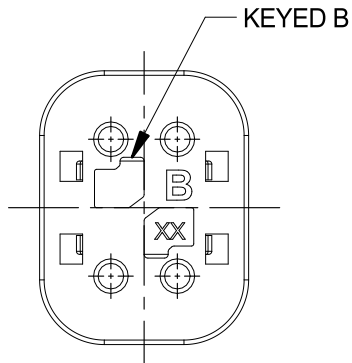
QUANTITY	AW4S-x	REF: W4SA-P012, W4SB-P012, W4SC-P012, W4SD-P012		ITEM
QUANTITY	PART NUMBER	DESCRIPTION		
<b>MATERIALS LIST</b>				
<small>UNLESS OTHERWISE SPECIFIED</small> 1) All dimensions are in metric(mm). 2) Tolerances are as follows: 1 PL DEC ±0.30   Fractions ±1/64 2 PL DEC ±0.15   Angles ±1° 3 PL DEC ±0.08 3) Note reference =		<b>SIGNATURES</b> <b>DATE</b> DRAWN: RONALD    11/JUL/22 CHECKED: ORION    12/JUL/22 APPROVAL: TOMMY    13/JUL/22		 Sine Systems - www.amphenol-sine.com 44724 Morley Drive Clinton Township, MI 48036
MATERIAL SPECIFICATIONS: WEIGHT: 1.14g		CUSTOMER: THIS DRAWING IS SUPPLIED FOR INFORMATION ONLY. DESIGN FEATURES, SPECIFICATIONS AND PERFORMANCE DATA SHOWN HEREON ARE THE PROPERTY OF THE AMPHENOL CORPORATION. NO RIGHTS OF REPRODUCTION ARE IMPLIED. ALL DIMENSIONS ARE SUBJECT TO NORMAL MANUFACTURING VARIATIONS.		
PROCESS SPECIFICATIONS: NEXT ASSY:		SIZE: <b>B</b> SCALE: NONE	TYPE: <b>C-</b> DWG NO: <b>AW4S-x</b>	REVISION: <b>A1</b> SHEET 1 OF 2

TITLE: S-WEDGELOCK, 4 POS, KEYED, AT SERIES  
 DWG NO: AW4S-x  
 REV: A1  
 SH: 1  
 OF: 2

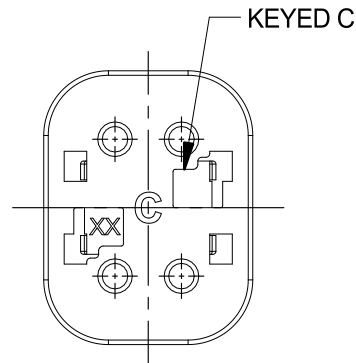
REVISIONS					
REV	ECO	DESCRIPTION	DATE	BY	APPR
A1	-	RELEASE NUMBER	11/JUL/22	RONALD	TOMMY



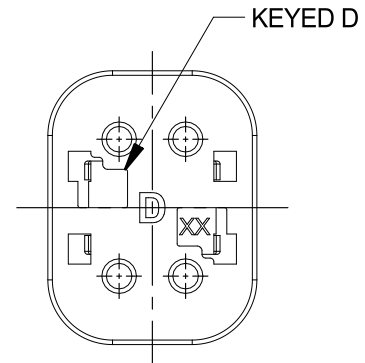
**AW4S-A**  
GRAY



**AW4S-B**  
BLACK



**AW4S-C**  
GREEN



**AW4S-D**  
BROWN

TITLE: S-WEDGELOCK, 4 POS, KEYED, AT SERIES  
 DWG NO: AW4S-x  
 REV: A1  
 SH: 2  
 OF: 2

AW4S-x		REF: W4SA-P012, W4SB-P012, W4SC-P012, W4SD-P012	
QUANTITY	PART NUMBER	DESCRIPTION	ITEM
<b>MATERIALS LIST</b>			
UNLESS OTHERWISE SPECIFIED 1) All dimensions are in metric(mm). 2) Tolerances are as follows: 1 PL DEC ±0.30   Fractions ±1/64 2 PL DEC ±0.15   Angles ±1° 3 PL DEC ±0.08 3) Note reference =		<b>Amphenol</b> Sine Systems - www.amphenol-sine.com 44724 Morley Drive Clinton Township, MI 48036	
MATERIAL SPECIFICATIONS: WEIGHT: 1.14g		CUSTOMER: THIS DRAWING IS SUPPLIED FOR INFORMATION ONLY. DESIGN FEATURES, SPECIFICATIONS AND PERFORMANCE DATA SHOWN HEREON ARE THE PROPERTY OF THE AMPHENOL CORPORATION. NO RIGHTS OF REPRODUCTION ARE IMPLIED. ALL DIMENSIONS ARE SUBJECT TO NORMAL MANUFACTURING VARIATIONS.	
PROCESS SPECIFICATIONS: NEXT ASSY:		SIGNATURES    DATE DRAWN: RONALD    11/JUL/22 CHECKED: ORION    12/JUL/22 APPROVAL: TOMMY    13/JUL/22	SIZE: <b>B</b> TYPE: <b>C-</b> SCALE: NONE
		DWG NO: <b>AW4S-x</b>	REVISION: <b>A1</b>
		SHEET 2 OF 2	

# Mouser Electronics

Authorized Distributor

Click to View Pricing, Inventory, Delivery & Lifecycle Information:

[Amphenol:](#)

[AW4S-B](#)