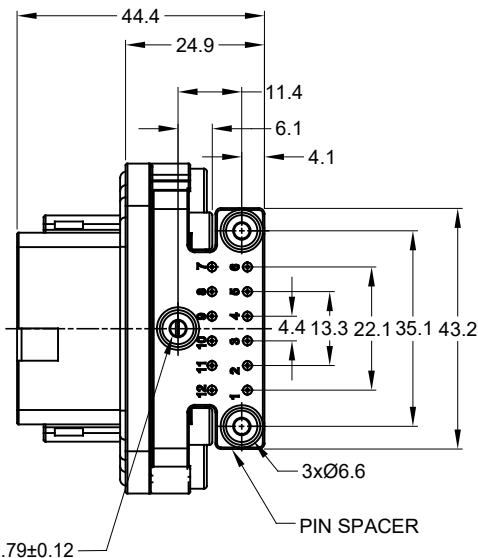
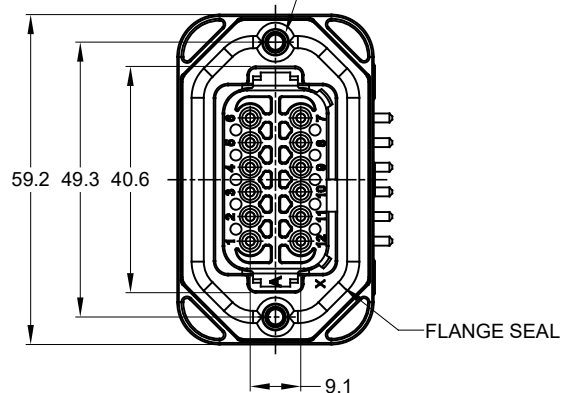
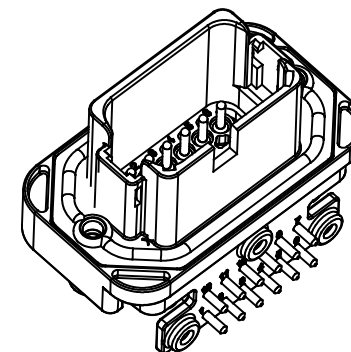
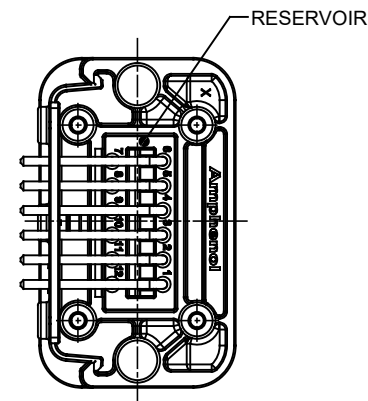


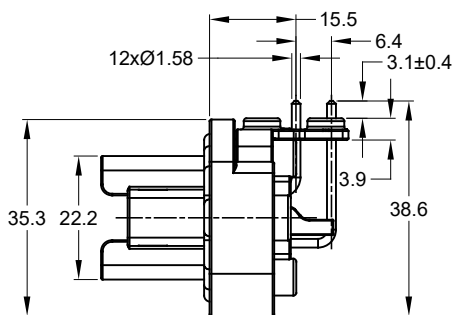
2xØ3.10±0.12x11.18 DP  
 RECOMMENDED SCREW: 6-19 [M3.63 x 1.34]  
 THREAD-FORMING SCREW,  
 TORQUE: 11-15 IN-LB [1.24-1.70 NM]



| REVISIONS |     |                     |           |       |       |
|-----------|-----|---------------------|-----------|-------|-------|
| REV       | ECO | DESCRIPTION         | DATE      | BY    | APPR  |
| A1        | --  | RELEASE NEW DRAWING | 14/DEC/18 | BROOK | TOMMY |
| A2        | --  | REVISED DRAWING     | 10JUL20   | JHEAD | DH    |



RECOMMENDED SCREW: 4-20 [M3.12 x 1.27]  
 THREAD-FORMING SCREW,  
 TORQUE: 6-10 IN-LB [0.68-1.13 NM]



NOTES: UNLESS OTHERWISE SPECIFIED

- MATERIAL:  
 HOUSING: THERMOPLASTIC  
 SEAL: SILICONE RUBBER  
 CONTACT: COPPER ALLOY
- MODIFICATIONS: FLANGE, PCB MOUNT, RIGHT ANGLE, EXTENDED LENGTH SHROUD
- SPECIFICATIONS:  
 3.1 CURRENT RATING: 13 AMPS  
 3.2 OPERATING TEMPERATURE: -55°C TO +125°C  
 3.3 DIELECTRIC WITHSTANDING VOLTAGE: LESS THAN 2 MILLIAMPS CURRENT LEAKAGE @ 1500 VOLTS AC.  
 3.4 INSULATION RESISTANCE: 1000 MEGOHMS MIN @ 25°C.  
 3.5 MOISTURE RESISTANCE: IP67 ( MATED CONDITION )  
 3.6 MATING CYCLE DURABILITY: 100 CYCLES  
 3.7 RoHS COMPLIANT
- MATING PART: AT06-12S\* PLUG (\* = MODIFICATIONS)
- ALL DIMENSIONS ARE FOR REFERENCE USE ONLY.
- POTTED CONNECTORS SPECIFIED FOR UP TO 5 P.S.I. APPLICATIONS.

|                                       |                |  |                      |
|---------------------------------------|----------------|--|----------------------|
| AT13-12PX-BM1X                        |                | REF: DT13-12PA-B016, DT13-12PB-B016, DT13-12PC-B016, DT13-12PD-B016  |                      |
| PART NUMBER                           |                | DESCRIPTION  |                      |
| QUANTITY                              | MATERIALS LIST |  |                      |
| UNLESS OTHERWISE SPECIFIED            |                | SIGNATURES   | DATE                 |
| 1) All dimensions are in metric (mm). |                | DRAWN: BROOKING  | 14/DEC/18            |
| 2) Tolerances are as follows:         |                | CHECKED: ORIONLI   | 14/DEC/18            |
| 1 PL DEC ±0.30                        |                | ENGINEER:  |                      |
| 2 PL DEC ±0.15                        |                | APPROVAL: TOMMY XIE  | 14/DEC/18            |
| 3 PL DEC ±0.08                        |                | CUSTOMER:  |                      |
| 3) Note reference =                   |                | THIS DRAWING IS SUPPLIED FOR INFORMATION ONLY. DESIGN FEATURES, SPECIFICATIONS AND PERFORMANCE DATA SHOWN HEREON ARE THE PROPERTY OF THE AMPHENOL CORPORATION. NO RIGHTS OF REPRODUCTION ARE IMPLIED. ALL DIMENSIONS ARE SUBJECT TO NORMAL MANUFACTURING VARIATIONS. |                      |
| MATERIAL SPECIFICATIONS:              |                | <b>Amphenol</b><br>Sine Systems - www.amphenol-sine.com<br>44724 Morley Drive<br>Clinton Township, MI 48036  |                      |
| PROCESS SPECIFICATIONS:               |                | BOARDLOCK PCB MOUNT RECEPTACLE,<br>12 PIN, RA FLANGE, EXT. LGTH, AT SERIES   |                      |
| NEXT ASSY:                            |                | SIZE: B C-   | TYPE: AT13-12PX-BM1X |
|                                       |                | SCALE: NONE  | REVISION: A2         |

TITLE: PCB MNT RECEPT 12PIN, RA FLANGE, EXT LGTH, AT SERIES

DWG NO:

AT13-12PX-BM1X

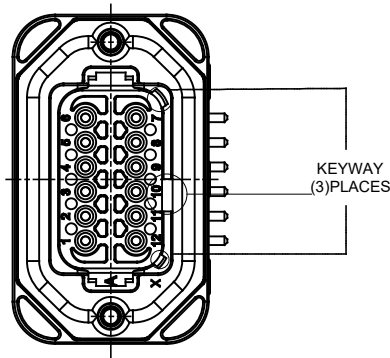
REV: A2

SH: 1

OF: 3

SHEET 1 OF 3

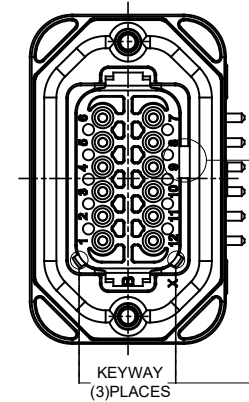
P/N AT13-12PA-BM1X  
KEY-A CONFIGURATION  
STANDARD COLOR: GREY



| AT13-12PA-BMXX VARIANTS |                             |                |
|-------------------------|-----------------------------|----------------|
| CONTACT PLATING         | POTTING OR NOT IN RESERVOIR | PART NUMBER    |
| TIN                     | NO POTTING                  | AT13-12PA-BM16 |
| TIN                     | POTTING                     | AT13-12PA-BM17 |
| GOLD                    | NO POTTING                  | AT13-12PA-BM18 |
| GOLD                    | POTTING                     | AT13-12PA-BM19 |

| REVISIONS |     |                     |           |       |       |
|-----------|-----|---------------------|-----------|-------|-------|
| REV       | ECO | DESCRIPTION         | DATE      | BY    | APPR  |
| A1        | --  | RELEASE NEW DRAWING | 14/DEC/18 | BROOK | TOMMY |
| A2        | --  | REVISED DRAWING     | 10JUL20   | JHEAD | DH    |

P/N AT13-12PB-BM1X  
KEY-B CONFIGURATION  
STANDARD COLOR: BLACK



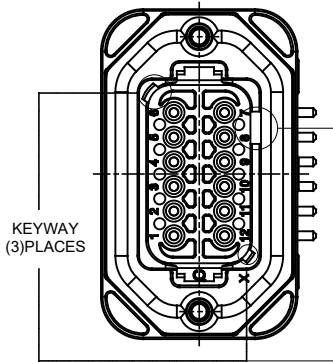
| AT13-12PB-BMXX VARIANTS |                             |                |
|-------------------------|-----------------------------|----------------|
| CONTACT PLATING         | POTTING OR NOT IN RESERVOIR | PART NUMBER    |
| TIN                     | NO POTTING                  | AT13-12PB-BM16 |
| TIN                     | POTTING                     | AT13-12PB-BM17 |
| GOLD                    | NO POTTING                  | AT13-12PB-BM18 |
| GOLD                    | POTTING                     | AT13-12PB-BM19 |

| AT13-12PX-BM1X  |             | DESCRIPTION  |                               | ITEM   |
|---|-------------|--|-------------------------------|--|
| QUANTITY  | PART NUMBER |  |                               |  |
| <b>MATERIALS LIST</b>   |             |  |                               |  |
| <small>UNLESS OTHERWISE SPECIFIED</small><br>1) All dimensions are in metric (mm).<br>2) Tolerances are as follows:<br>1 PL DEC ±0.30<br>2 PL DEC ±0.15<br>3 PL DEC ±0.08<br>Fractions ±1/64<br>Angles ±1°<br>3) Note reference = |             | <small>SIGNATURES</small><br>DRAWN: BROOK DING 14/DEC/18<br>CHECKED: ORION LI 14/DEC/18<br>ENGINEER:<br>APPROVAL: TOMMY XIE 14/DEC/18  |                               | <br>Sine Systems - www.amphenol-sine.com<br>44724 Morley Drive<br>Clinton Township, MI 48036 |
| <small>MATERIAL SPECIFICATIONS:</small><br><br><small>PROCESS SPECIFICATIONS:</small><br><br><small>NEXT ASSY:</small>  |             | <small>CUSTOMER:</small><br>THIS DRAWING IS SUPPLIED FOR INFORMATION ONLY. DESIGN FEATURES, SPECIFICATIONS AND PERFORMANCE DATA SHOWN HEREON ARE THE PROPERTY OF THE AMPHENOL CORPORATION. NO RIGHTS OF REPRODUCTION ARE IMPLIED. ALL DIMENSIONS ARE SUBJECT TO NORMAL MANUFACTURING VARIATIONS. |                               |  |
|   |             | SIZE: <b>B</b><br>TYPE: <b>C-</b><br>SCALE: NONE   | DWG NO: <b>AT13-12PX-BM1X</b> | REVISION: <b>A2</b><br>SHEET 2 OF 3  |

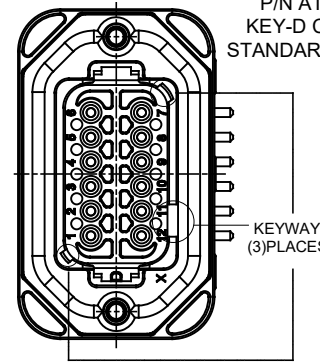
TITLE: PCB MNT RECEPT 12PIN RA FLANGE EXT LGTH AT SERIES  
DWG NO: AT13-12PX-BM1X  
REV: A2  
SH: 2  
OF: 3

| REVISIONS |     |                     |           |       |       |
|-----------|-----|---------------------|-----------|-------|-------|
| REV       | ECO | DESCRIPTION         | DATE      | BY    | APPR  |
| A1        | --  | RELEASE NEW DRAWING | 14/DEC/18 | BROOK | TOMMY |
| A2        | --  | REVISED DRAWING     | 10JUL20   | JHEAD | DH    |

P/N AT13-12PC-BM1X  
KEY-C CONFIGURATION  
STANDARD COLOR: GREEN

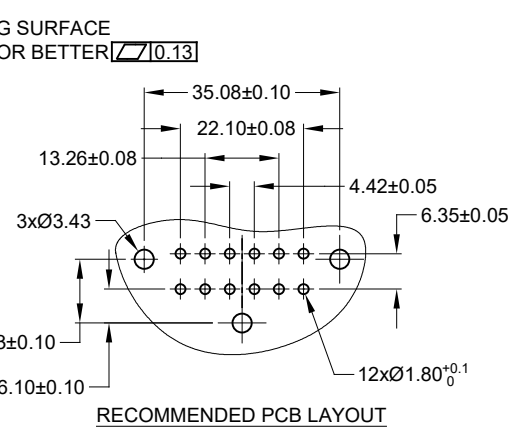
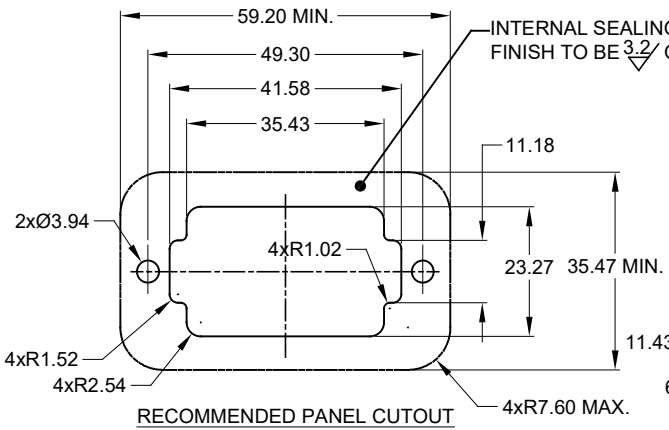


P/N AT13-12PD-BM1X  
KEY-D CONFIGURATION  
STANDARD COLOR: BROWN



| AT13-12PC-BMXX VARIANTS |                             |                |
|-------------------------|-----------------------------|----------------|
| CONTACT PLATING         | POTTING OR NOT IN RESERVOIR | PART NUMBER    |
| TIN                     | NO POTTING                  | AT13-12PC-BM16 |
| TIN                     | POTTING                     | AT13-12PC-BM17 |
| GOLD                    | NO POTTING                  | AT13-12PC-BM18 |
| GOLD                    | POTTING                     | AT13-12PC-BM19 |

| AT13-12PD-BMXX VARIANTS |                             |                |
|-------------------------|-----------------------------|----------------|
| CONTACT PLATING         | POTTING OR NOT IN RESERVOIR | PART NUMBER    |
| TIN                     | NO POTTING                  | AT13-12PD-BM16 |
| TIN                     | POTTING                     | AT13-12PD-BM17 |
| GOLD                    | NO POTTING                  | AT13-12PD-BM18 |
| GOLD                    | POTTING                     | AT13-12PD-BM19 |



| AT13-12PX-BM1X                        |  | PART NUMBER |  | DESCRIPTION  |  | ITEM |
|---------------------------------------|--|-------------|--|--|--|------|
| <b>QUANTITY</b>                       |  |             |  |  |  |      |
| <b>MATERIALS LIST</b>                 |  |             |  |  |  |      |
| UNLESS OTHERWISE SPECIFIED:           |  |             |  |  |  |      |
| 1) All dimensions are in metric (mm). |  |             |  |  |  |      |
| 2) Tolerances are as follows:         |  |             |  |  |  |      |
| 1 PL DEC ±0.30 Fractions ±1/64        |  |             |  |  |  |      |
| 2 PL DEC ±0.15 Angles ±1°             |  |             |  |  |  |      |
| 3 PL DEC ±0.08                        |  |             |  |  |  |      |
| 3) Note reference =                   |  |             |  |  |  |      |
| SIGNATURES                            |  | DATE        |  | <p>Sine Systems - www.amphenol-sine.com<br/>44724 Morley Drive<br/>Clinton Township, MI 48036</p>  |  |      |
| DRAWN: BROOK DING                     |  | 14/DEC/18   |  |  |  |      |
| CHECKED: ORION LI                     |  | 14/DEC/18   |  |  |  |      |
| ENGINEER: TOMMY XIE                   |  | 14/DEC/18   |  |  |  |      |
| APPROVAL: TOMMY XIE                   |  | 14/DEC/18   |  | <b>BOARDLOCK PCB MOUNT RECEPTACLE, 12 PIN, RA FLANGE, EXT. LGTH. AT SERIES</b>   |  |      |
| MATERIAL SPECIFICATIONS:              |  | CUSTOMER:   |  | THIS DRAWING IS SUPPLIED FOR INFORMATION ONLY. DESIGN FEATURES, SPECIFICATIONS AND PERFORMANCE DATA SHOWN HEREON ARE THE PROPERTY OF THE AMPHENOL CORPORATION. NO RIGHTS OF REPRODUCTION ARE IMPLIED. ALL DIMENSIONS ARE SUBJECT TO NORMAL MANUFACTURING VARIATIONS. |  |      |
| PROCESS SPECIFICATIONS:               |  | SCALE: NONE |  | SIZE: B C-    TYPE:    DWG NO: AT13-12PX-BM1X    REVISION: A2  |  |      |
| NEXT ASSY:                            |  | SHEET 3     |  | OF 3   |  |      |

TITLE PCB MNT RECEPT 12PIN RA FLANGE EXT LGTH AT SERIES  
DWG NO: AT13-12PX-BM1X  
REV: A2  
SH: 3  
OF: 3

# Mouser Electronics

Authorized Distributor

Click to View Pricing, Inventory, Delivery & Lifecycle Information:

[Amphenol:](#)

[AT13-12PB-BM16](#)