

NOTES:

1. THE CLEANING KIT FOR THE ARES REEL IS INCLUDED WITH THE TRANSIT CASE. THE CLEANING KIT CAN BE ORDERED SEPARATELY (SEE ARES-CK DWG)
2. REELS MEET THE REQUIREMENTS FOR PERFORMANCE, SIZE, WEIGHT, COLOR, TEMPERATURE, CABLE CAPACITY AND STORAGE AS CALLED OUT ON SPECIFICATION A336463A
3. GRAY COLOR AVAILABLE IN 3000 METER REEL ONLY

REVISION HISTORY - ALL SHEETS ARE THE SAME REVISION

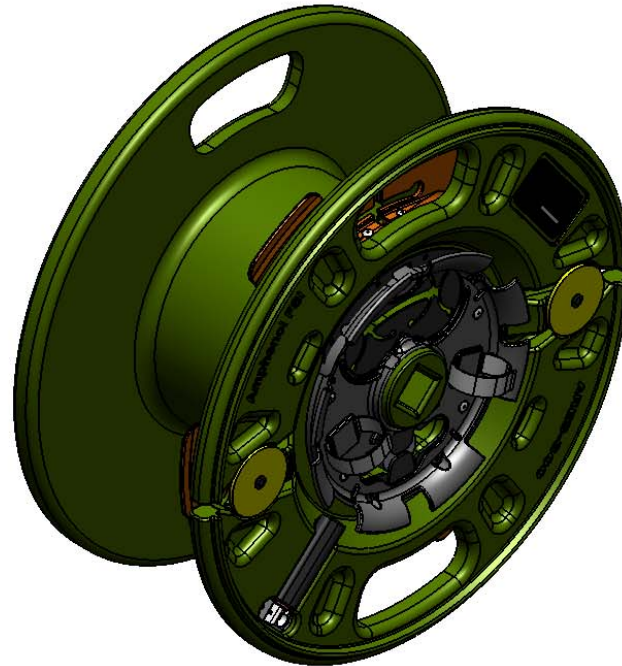
REV	DESCRIPTION	DATE	APPROVED
	ENGINEERING RELEASE		
	FORMAL RELEASE		
A	ECN 160426-0840, MH	2016/04/26	JW
B	ECN 170111-1111, XLT	2017/02/02	JW

PRODUCT NUMBER IDENTIFICATION
ARES-XXXX-

REEL SIZE
300
500
750
1000
3000

HANDLE OPTION
1 - HANDLE
2 - NO HANDLE

REEL COLOR OPTION
T - TAN
D - OLIVE DRAB
B - BLACK
Y - GRAY 3



PRODUCT DRAWING

DFT	MH	2016/02/25
ENG	MH	2016/03/04
CHK	JW	2016/03/04
APP	CJ	2016/04/26



TITLE
DEPLOYABLE FIBER OPTIC REEL SYSTEM

DO NOT SCALE DRAWING
UNLESS OTHERWISE SPECIFIED
DIM ARE IN INCHES
TOL ON ANGLES ±3°
4-PL ±.1 - 2-PL ±.02 - 3-PL ±.010
-INTERPRET DIM AND TOL PER
-ASME Y14.5-2009-

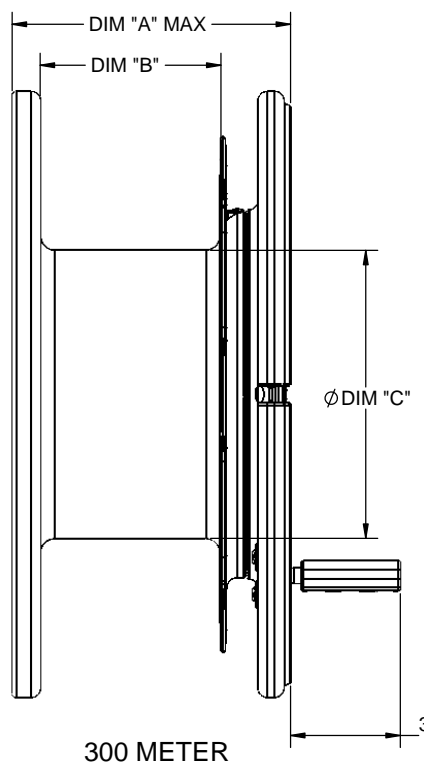
SIZE	CAGE CODE	DWG NO	REV
C	ØYPM2	ARES-XXXX	B
SCALE	3:8	SHEET	1 OF 3

4

3

2

1



3.05
HANDLE EXTENDED

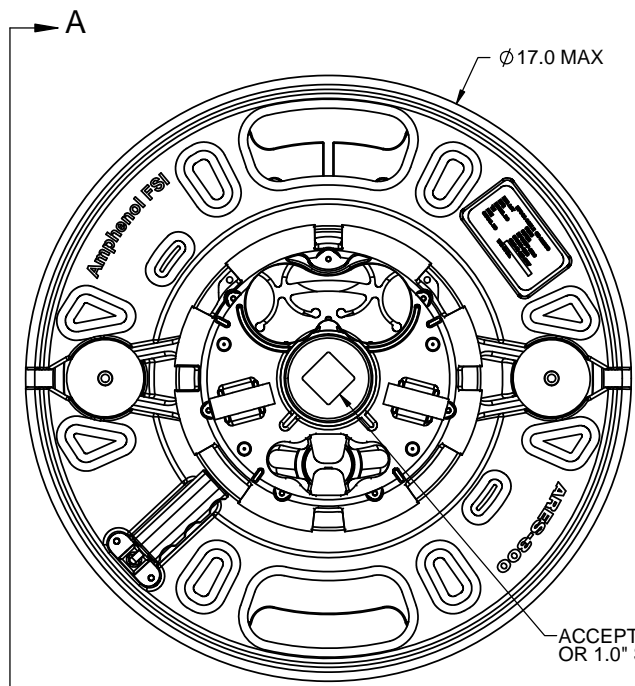
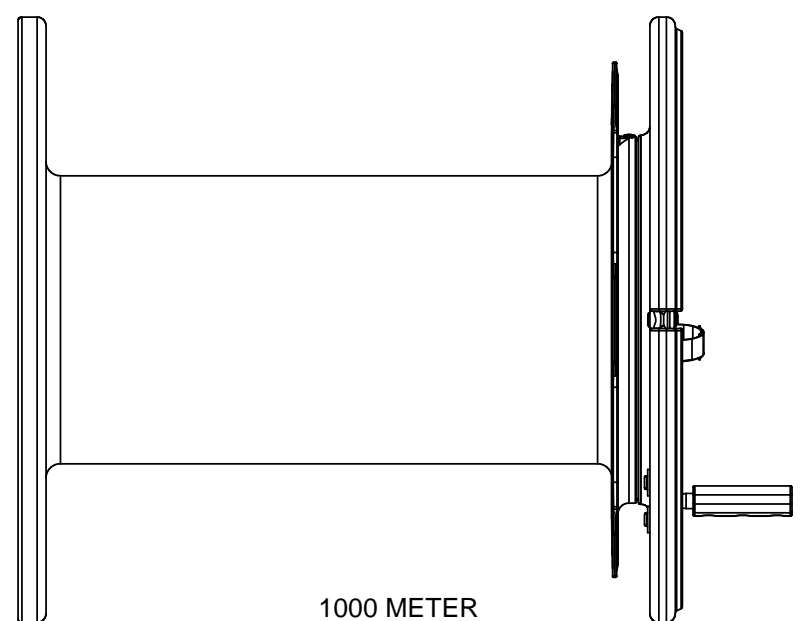
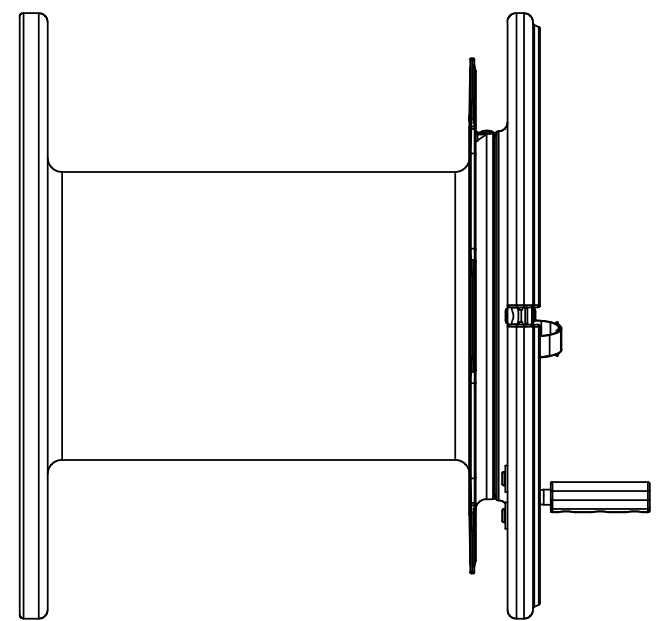
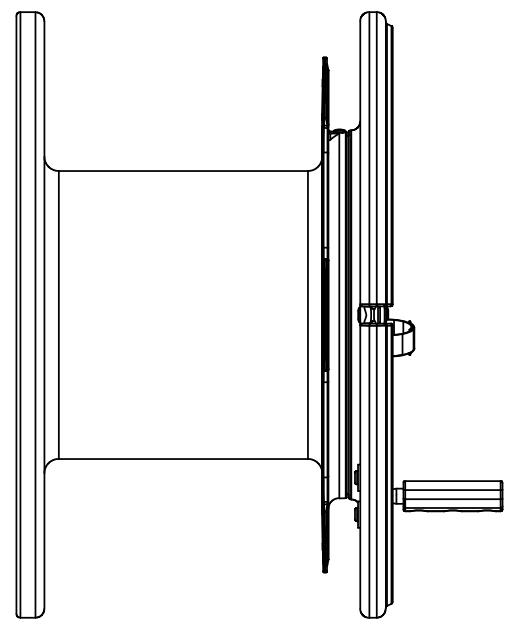


TABLE 1				
REEL SIZE	DIM "A"	DIM "B"	DIM Ø "C"	WEIGHT (LBS) MAX
ARES-300	7.76	5.00	8.0	10.5
ARES-500	10.76	8.00		11.0
ARES-750	14.76	12.00		12.0
ARES-1000	18.76	16.00		12.5



VIEW A-A
ARES-300, 500, 750, 1000

SIZE C	CAGE CODE ØYPM2	DWG NO ARES-XXXX	REV B
SCALE 3:8	SHEET 2 OF 3		

4

3

2

1

4

3

2

1

TABLE 2				
REEL SIZE	DIM "A"	DIM "B"	DIM Ø "C"	WEIGHT (LBS) MAX
ARES-3000	22.3	17.0	13.4	35.0

D

D

C

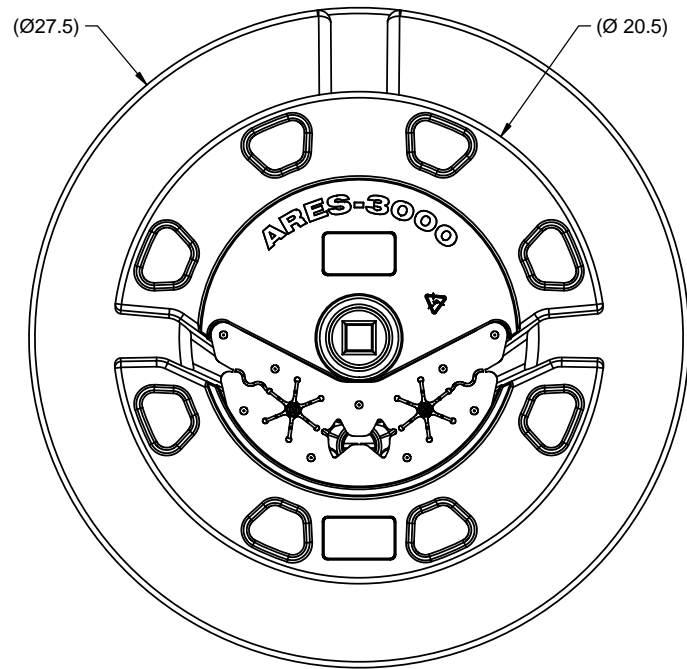
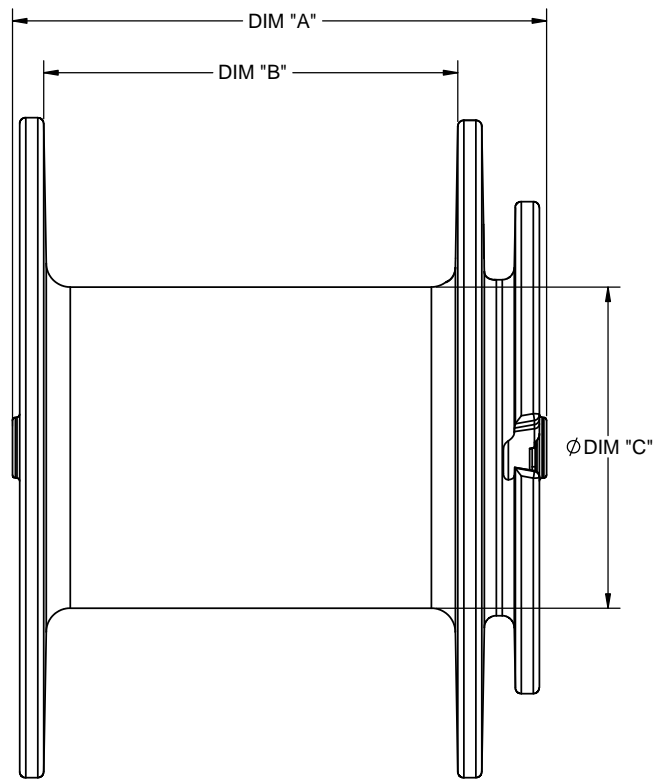
C

B

B

A

A



3000 METER

SIZE C	CAGE CODE ØYPM2	DWG NO ARES-XXXX	REV B
SCALE 1:4	SHEET 3 OF 3		

4

3

2

1

Mouser Electronics

Authorized Distributor

Click to View Pricing, Inventory, Delivery & Lifecycle Information:

[Amphenol:](#)

[ARES-300-T2](#) [ARES-500-T2](#) [ARES-750-T2](#)