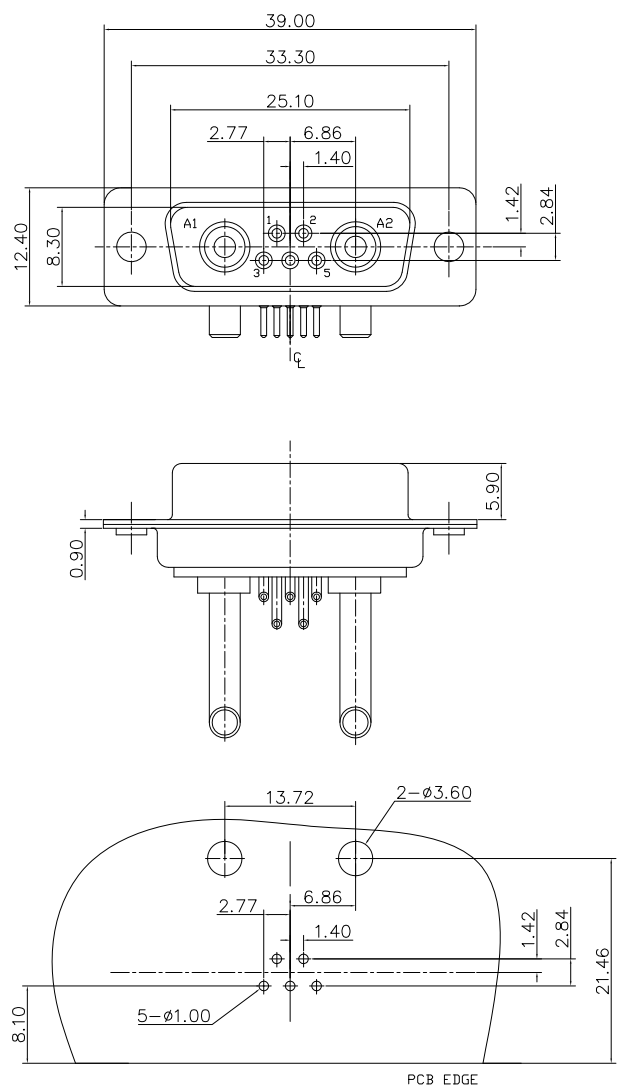


This document is the property of Amphenol Corporation and is delivered on the express condition that it is not to be disclosed, reproduced or used, in whole or in part, for manufacture or sale by anyone other than Amphenol Corporation without its prior consent, & that no right is granted to disclose or to use any information in this document.



RECOMMENDED P.C.B LAYOUT
(Tolerance +/- 0.05)

Customer drawing



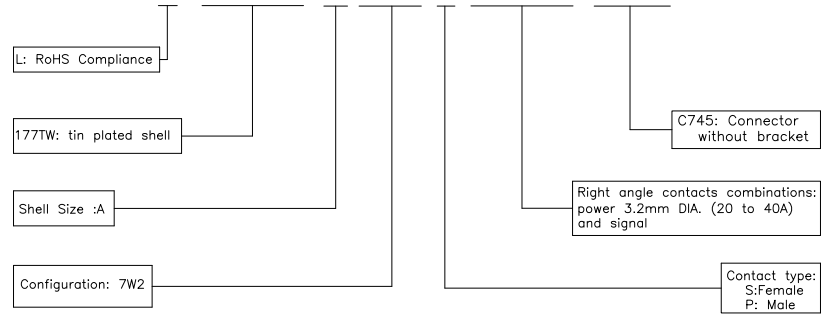
REVISIONS				
SYM	ECN	DESCRIPTION	DATE	APPROVED
1	HK--	First Release Drawing	01/15/08	IP

D-SUB TECHNICAL DATA

SHELL : Steel 2.5um(100u") min tin over 1.25um(50u") min nickel
 BODY : Glass filled thermoplastic.
 Flame retardant to UL94 V-0 Color Black
 CONTACTS : Signal contacts material: brass
 Power contacts material: brass
 Signal contact: 0.76um(30u") min gold over 1.25um(50u") min nickel
 Front power contact: 0.76um(30u") min gold over 1.25um(50u") min nickel
 Rear power contact: 2.5um(100u") min tin over 1.25um(50u") min nickel
 ELECTRICAL : Voltage rating 300 V Rms at 50 Hz
 Current rating Singal contacts 7.5A. Power contacts 20 to 40A
 Withstanding Voltage >1000 V Rms to 50 Hz for one minute
 Insulation resistance >5000 M Ohms
 Contact resistance 20 mOhms max.
 CLIMATIC : Temperature range -55 °C up to 155°C
 MARKING : Amphenol...(Series No.)
 Commercial reference
 Manufacturing date

PRODUCT CODE

L 177TW A 7W2 P MP3SV C745



UNLESS OTHERWISE SPECIFIED TOLERANCES		APPROVAL		DATE
U.S.	METRIC	DRAWN	Sunny.Li	01/15/08
.X +/-	0.50	CHECKED	lik.wang	01/15/08
.XX +/-	0.30	CHECKED		
.XXX +/-	0.20			
FRACTIONS +/-				
ANGLES +/-	2'			
FOR MATERIALS AND FINISHES SEE NOTES				
REMOVE SHARP EDGES				
DRAWING FILE :				
ANGLE OF PROJECTION				
DIMENSIONS				
U.S. INCHES				
METRIC MM				

Amphenol		
Amphenol East Asia Limited		
TITLE		
Hybrid connector, TW series		
SIZE	DRAWING NO.	REV.
A4	C L177TWA7W2PMP3SVC745	1
SCALE	NONE	SHEET 1 OF 1

Mouser Electronics

Authorized Distributor

Click to View Pricing, Inventory, Delivery & Lifecycle Information:

[Amphenol:](#)

[L177TWA7W2PMP3SVC745](#)