

Protection Caps:

2M804 Push-Pull Protective Caps are available in plug and receptacle versions. Protective caps keep the connector interface dry and clean while not in use. Caps come in a variety of materials, lanyard styles and lengths to accommodate specific design requirements.



Series	Service Class	Shell Size	Attachment Type	Attachment Code	Attachment Length in Inches	Pull Ring Option
2M667-202	-M	9	-G	04	-5	R

SERIES	
2M667-202	Protection Caps 2M804 Receptacles

SHELL SIZE	ATTACHMENT TYPE
5	-G Nylon Rope
6	Stainless Steel
7	-H Wire Rope, Teflon@ Jacket
8	-N No Attachment
9	-S Stainless Steel Sash Chain
10	-SK Nylon Rope With Slip Knot
12	-T Stainless Steel Wire Rope, No Jacket
14	-U Stainless Steel Wire Rope, Polyurethane Jacket

Omit for attachment Type N (No Attachment)
Example "-5" equals five inch length

PULL RING OPTIONS	
R	Supplied with Pull Ring
	Omit for None

ATTACHMENT CODE	
Omit for attachment Types N (No Attachment) and SK (Slip Knot)	
Small Ring	01 -.141 (3.58) I.D. 02 -.141 (3.58) I.D. 04 -.177 (4.49) I.D. 06 - N/A
Large Ring	14 -.385 (9.78) I.D. 15 -.445 (11.30) I.D. 16 -.570 (14.48) I.D. 17 -.635 (16.13) I.D. 18 -.695 (17.65) I.D. 19 -.885 (22.48) I.D. 20 -1.070 (27.17) I.D. 21 -1.135 (28.83) I.D. 25 -0.820 (20.8) I.D.
Split Ring	50 -.420 (10.67) I.D. 52 -.480 (12.19) I.D. 54 -.635 (16.13) I.D. 56 -.745 (18.92) I.D. 58 -.885 (22.48) I.D. 60 -1.010 (25.65) I.D. 64 -1.125 (28.58) I.D. 68 -1.345 (34.16) I.D.

SERVICE CLASS		
		Finish
-C		Aluminum/Black Anodize (Non-Conductive)
-M		Aluminum/Electroless Nickel
-NF		Aluminum/Cadmium with Olive Drab Chromate
-MT		Aluminum/Nickel-PTFE (Duralon)
-Z1		Stainless Steel/Passivated
-ZM		Stainless Steel/Electroless Nickel
-ZN		Aluminum/Zinc-Nickel w/Olive Drab Chromate
-ZNU		Aluminum/Zinc-Nickel with Black Chromate



2M804 Push-Pull Plug Protection Caps



Ordering Guide for 2M809-198

Series	Service Class	Shell Size	Attachment Type	Attachment Code	Attachment Length in Inches
2M809-198	-M	6	-G	04	-5

SERIES	
2M809-198	Protection Cap for 2M804 Plug

SHELL SIZE		ATTACHMENT TYPE	
5		-G	Nylon Rope
6			Stainless Steel
7		-H	Wire Rope, Teflon® Jacket
8		-N	No Attachment
9		-S	Stainless Steel Sash Chain
10			Nylon Rope With Slip Knot
12		-SK	
14		-T	Stainless Steel Wire Rope, No Jacket
		-U	Stainless Steel Wire Rope, Polyurethane Jacket

Omit for attachment Type N (No Attachment)
Example "-5" equals five inch length

ATTACHMENT CODE	
Omit for attachment Types N (No Attachment) and SK (Slip Knot)	
Small Ring	01 -.141 (3.58) I.D.
	02 -.141 (3.58) I.D.
	04 -.177 (4.49) I.D.
	06 - N/A
	14 -.385 (9.78) I.D.
	15 -.445 (11.30) I.D.
Large Ring	16 -.570 (14.48) I.D.
	17 -.635 (16.13) I.D.
	18 -.695 (17.65) I.D.
	19 -.885 (22.48) I.D.
	20 -1.070 (27.17) I.D.
	21 -1.135 (28.83) I.D.
	22 -1.210 (30.73) I.D.
	23 -1.275 (32.39) I.D.
	24 -1.375 (34.94) I.D.
	24 -0.820 (20.8) I.D.
Split Ring	50 -.420 (10.67) I.D.
	52 -.480 (12.19) I.D.
	54 -.635 (16.13) I.D.
	56 -.745 (18.92) I.D.
	58 -.885 (22.48) I.D.
	60 -1.010 (25.65) I.D.
	64 -1.125 (28.58) I.D.
68 -1.345 (34.16) I.D.	

SERVICE CLASS		
		Finish
-C		Aluminum/Black Anodize (Non-Conductive)
-M		Aluminum/Electroless Nickel
-NF		Aluminum/Cadmium with Olive Drab Chromate
-MT		Aluminum/Nickel-PTFE (Durmalon)
-Z1		Stainless Steel/Passivated
-ZM		Stainless Steel/Electroless Nickel
-ZN		Aluminum/Zinc-Nickel w/Olive Drab Chromate
-ZNU		Aluminum/Zinc-Nickel with Black Chromate



Contacts & Tools

2M Specs

2M801

2M803

2M804

2M805

2M Filter & Accessories

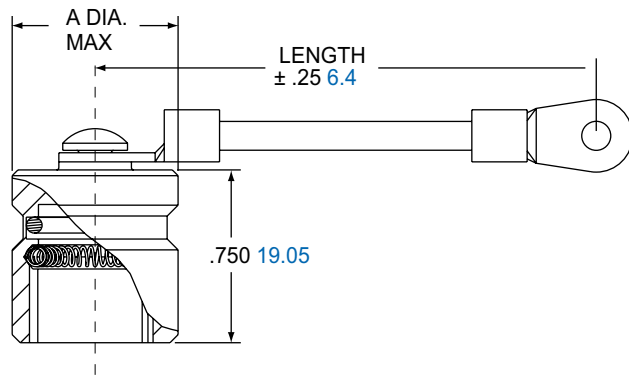
HD38999

Micro-D

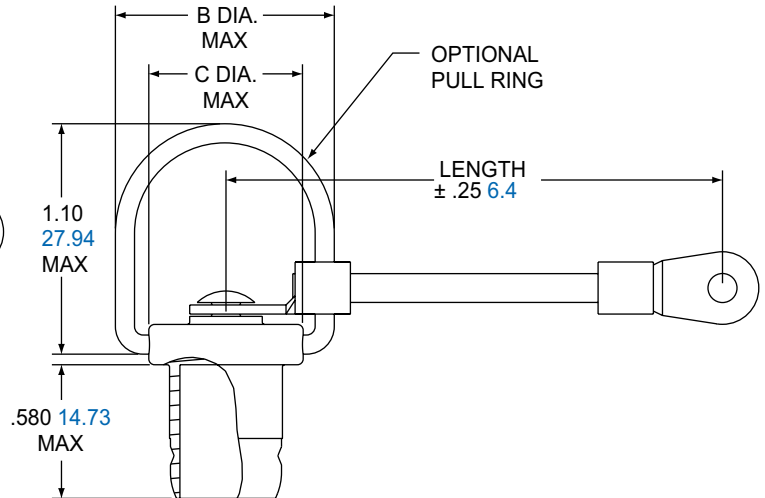
Terrapin

Nexus

2M809-198



2M667-202



Shell Size	A Max.		B Max.		C Max.	
	in.	mm.	in.	mm.	in.	mm.
5	.483	12.27	.720	18.29	.498	12.65
6	.533	13.54	.720	18.29	.503	12.78
7	.633	16.08	.800	20.32	.578	14.68
8	.658	16.71	.850	21.59	.627	15.93
9	.708	17.98	.900	22.86	.678	17.22
10	.783	19.89	1.010	25.65	.791	20.09
12	.908	23.06	1.090	27.69	.868	22.05
14	1.033	26.24	1.210	30.73	.988	25.10
15	1.083	27.51	1.260	32.00	1.038	26.37

LANYARD OPTIONS

	Nylon Rope	-55° to +100°C., black, flexible, good abrasion resistance, good resistance to fuels, .120" 3mm diameter
	Sash Chain	Stainless steel
	Slip Knot (SK) for attaching Covers to Cables	55° to +100°C., black, flexible, good abrasion resistance, good resistance to fuels, .120" 3mm diameter. Length includes .5" 13mm diameter loop.

MATERIALS AND FINISHES

Cover	Aluminum alloy or stainless steel
O-Ring	Fluorosilicone rubber
Wire, Hardware	Stainless steel, passivated

2M804 Push-Pull Plug Rubber Caps



Ordering Guide for 2M809-083 and 2M809-087

Protection Caps:

Push-Pull Rubber Protective Caps can be used on the 2M804 push-pull plugs and receptacles. These molded rubber covers are ideal for a protective splash-proof option.



Series	Shell Size	Attachment Type	Lanyard Length	Attachment Code	Conductive Rubber
2M809-083	-6	G	5	-04	C

Example "-5" equals five inch length

SERIES	
2M809-083	Protection Cap for 2M804 Plugs
2M809-087	Protection Cap for 2M804 Receptacles

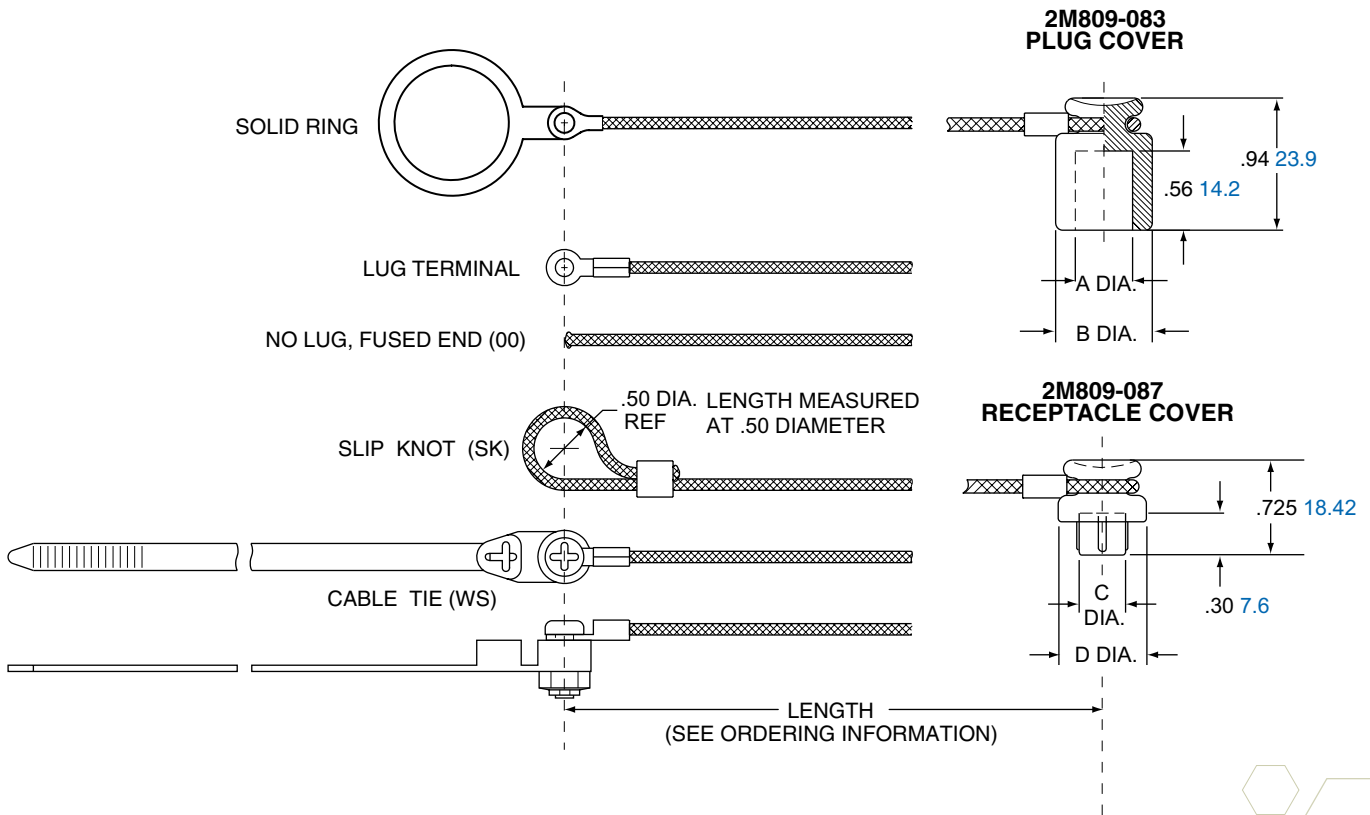
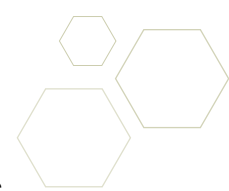
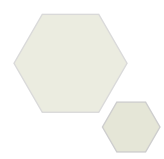
ATTACHMENT TYPE	
G	Nylon Rope
N	No Attachment

SHELL SIZE
-5
-6
-7
-8
-9
-10
-12
-14

ATTACHMENT CODE		
-WS	Nylon Cable tie, 1.77 Inch (45mm) Maximum Wire Bundle Diameter	Small Ring
-SK	Slip Knot	
-00	Lanyard with no attachment (fused End)	
-01	-.147 (3.73) I.D.	Large Ring
-02	-.147 (3.73) I.D.	
-04	-.173 (3.94) I.D.	
-06	N/A	
-07	-.385 (9.78) I.D.	
-08	-.510 (13.11) I.D.	
-09	-.583 (14.81) I.D.	
-10	-.766 (19.4) I.D.	
-11	-.896 (25.76) I.D.	
-12	-1.015 (25.78) I.D.	
-15	-.445 (11.30) I.D.	
-16	-.570 (14.48) I.D.	
-17	-.635 (16.13) I.D.	
-18	-.695 (17.65) I.D.	
-19	-.885 (22.48) I.D.	
-20	-1.070 (27.18) I.D.	
-21	-1.135 (28.83) I.D.	
-25	- 0.820 (20.8) I.D.	

CONDUCTIVE RUBBER	
Omit for Standard Neoprene	
C	Conductive Rubber

- Contacts & Tools
- 2M Specs
- 2M801
- 2M803
- 2M804
- 2M805
- 2M Filter & Accessories
- HD38999
- Micro-D
- Terrapin
- Nexus



Shell Size	A Dia.		B Dia.		C Dia.		D Dia.	
	in.	mm.	in. ± .005	mm. ± 0.13	in.	mm.	in.	mm.
5	.230	5.84	.560	14.22	.293	7.44	.638	16.21
6	.290	7.37	.560	14.22	.358	9.09	.700	17.78
7	.360	9.14	.560	14.22	.418	10.62	.825	20.96
8	.410	10.41	.680	17.27	.473	12.01	.825	20.96
9	.460	11.68	.680	17.27	.526	13.36	.888	22.56
10	.540	13.72	.790	20.07	.603	15.32	.950	24.13
12	.650	16.51	.790	20.07	.724	18.39	1.075	27.31
14	.780	19.81	1.110	28.19	.845	21.46	1.200	30.48
15	.845	21.46	1.110	28.19	.900	22.86	1.325	33.66

MATERIALS

Cover	Neoprene rubber blend, black
Lanyard	.062" (1.57) diameter nylon cord, black
Cable Tie	6/6 nylon, black SST locking tab
Ring	Stainless steel

Protection Covers:

Protection Covers are used on 2M804 Jam Nut Receptacles. The spring loaded cover stays closed when cable is disconnected. A silicone gasket is used to provide a seal when closed. Cover is available in Aluminum alloy or stainless steel.

Shell Size	Part Number				
	Aluminum				Stainless Steel
	Nickel	Olive Drab	Nickel-PTFE	Black Zinc-Nickel	Passivated
5	2M667-282M05	2M667-282NF05	2M667-282MT05	2M667-282ZNU05	2M667-282Z105
6	2M667-282M06	2M667-282NF06	2M667-282MT06	2M667-282ZNU06	2M667-282Z106
7	2M667-282M07	2M667-282NF07	2M667-282MT07	2M667-282ZNU07	2M667-282Z107
8	2M667-282M08	2M667-282NF08	2M667-282MT08	2M667-282ZNU08	2M667-282Z108
9	2M667-282M08	2M667-282NF09	2M667-282MT09	2M667-282ZNU09	2M667-282Z109
10	2M667-282M10	2M667-282NF10	2M667-282MT10	2M667-282ZNU10	2M667-282Z110
12	2M667-282M12	2M667-282NF12	2M667-282MT12	2M667-282ZNU12	2M667-282Z112
14	2M667-282M14	2M667-282NF14	2M667-282MT14	2M667-282ZNU14	2M667-282Z114

Shell Size	Dimensions			
	A		B	
	in.	mm.	in.	mm.
5	.63	16.0	.93	23.6
6	.69	17.5	.99	25.1
7	.82	20.8	1.11	28.2
8	.82	20.8	1.11	28.2
9	.88	22.4	1.18	30.0
10	.94	23.9	1.24	31.5
12	1.07	27.2	1.36	34.5
14	1.19	30.2	1.49	37.8

Materials	
Cover, Housing	Aluminum Alloy or Stainless Steel
Gasket	Silicone Rubber
Sleeve	Delrin
Spring, Shaft	Stainless Steel



Mouser Electronics

Authorized Distributor

Click to View Pricing, Inventory, Delivery & Lifecycle Information:

[Amphenol:](#)

[2M667-202-NF14-N](#)