

This document is the property of Amphenol Corporation and is delivered on the express condition that it is not to be disclosed, reproduced or used, in whole or in part, for manufacture or sale by anyone other than Amphenol Corporation without its prior consent, and that no right is granted to disclose or to use any information in this document.

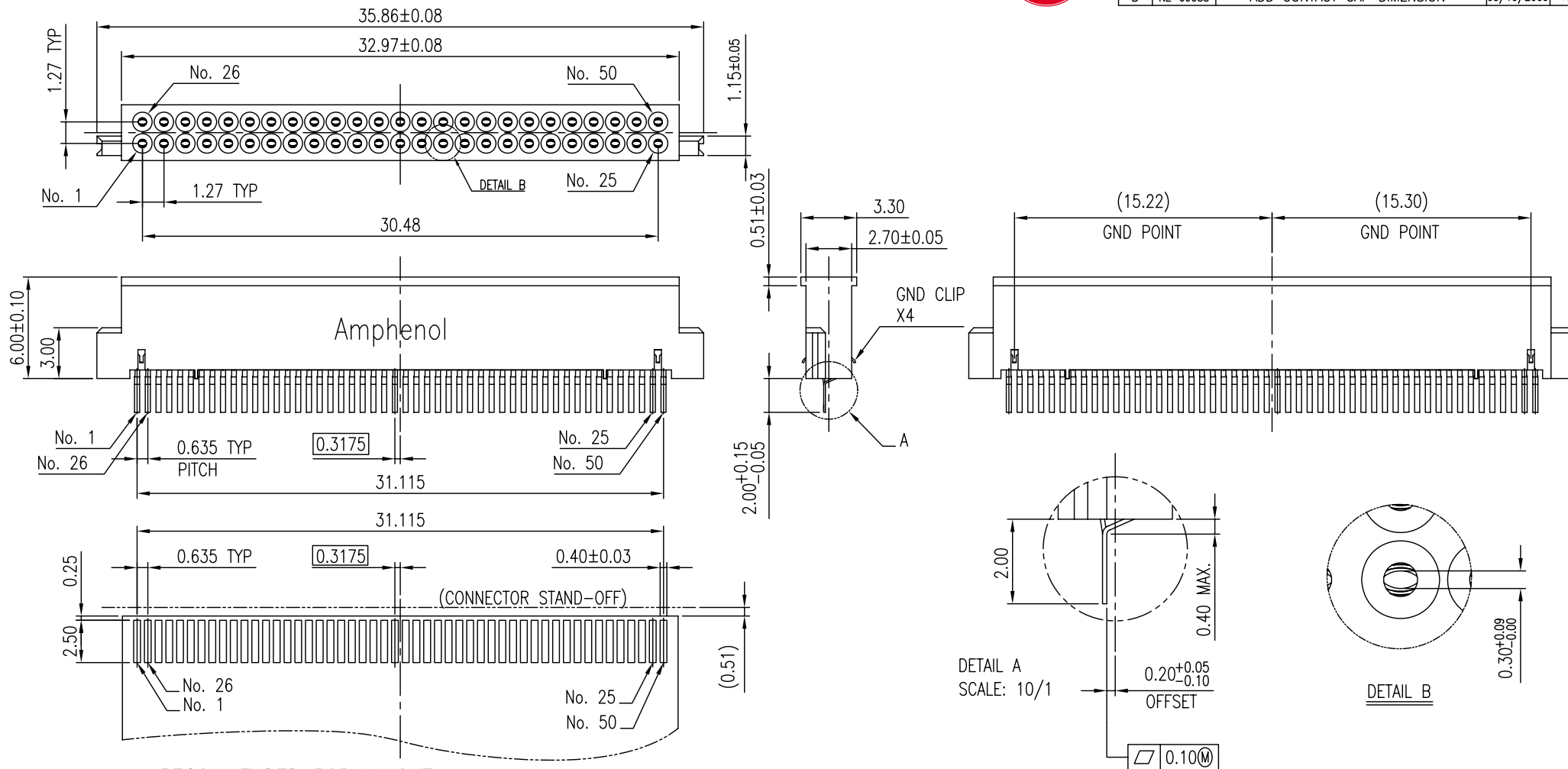
The marking on this product doesn't contain environmental hazardous materials per Material Specification SS-00259 for Sony GP compliant or per directive 2002/95/EC for RoHS compliant.



CUSTOMER DRAWING ORIGINAL



REVISIONS				
SYM	ECN No.	DESCRIPTION	DATE	APPROVED
A		RELEASE TO PRODUCTION	07/27/2007	Hank Hsu
B	NE-07867	ADD PKG SPEC	10/30/2007	Hank Hsu
C	NE-08007	REVISED DWG	01/08/2008	Hank Hsu
D	NE-09088	ADD CONTACT GAP DIMENSION	05/19/2009	Roger Tsai



- NOTES:
- MATERIAL:
HOUSING: HIGH TEMPERATURE THERMOPLASTIC, UL94V-0, BLACK
TERMINAL: COPPER ALLOY
GND CLIP: COPPER ALLOY
 - FINISH:
TERMINAL:
CONTACT AREA: SELECTED GOLD PLATED
SOLDER AREA: SELECTED GOLD PLATED
UNDERPLATING AREA: NICKEL OVERALL
GND CLIP: SELECTED GOLD PLATED
 - TERMINAL No.1, 25, 26, 50 CONTACT WITH FRAME BY INDIVIDUAL GND CLIP.

TOLERANCE m/m	APPROVALS	DATE	TITLE		Amphenol®	
x. ±0.30	DRAWN Roger Tsai	05/19/2009	G656 SERIES CF SOCKET CONNECTOR SMT TYPE, FEMALE, UPPER BLOCK 50 POS., W/ ESD GND		Amphenol Corporation Amphenol Taiwan Corporation	
x.x ±0.25	CHECKED Daniel Hsieh	05/19/2009				
x.xx ±0.15	APPROVED Roger Tsai	05/19/2009				
x.xxx ±0.08			SCALE	N.A.	SHEET 1 OF 2	
ANGULAR ±2°			SIZE	PART NO.	DWG NO.	REV.
UNLESS OTHERWISE SPECIFIED			MM	A4 G65605023301BEU	OTHER-G65605023301BEU	D

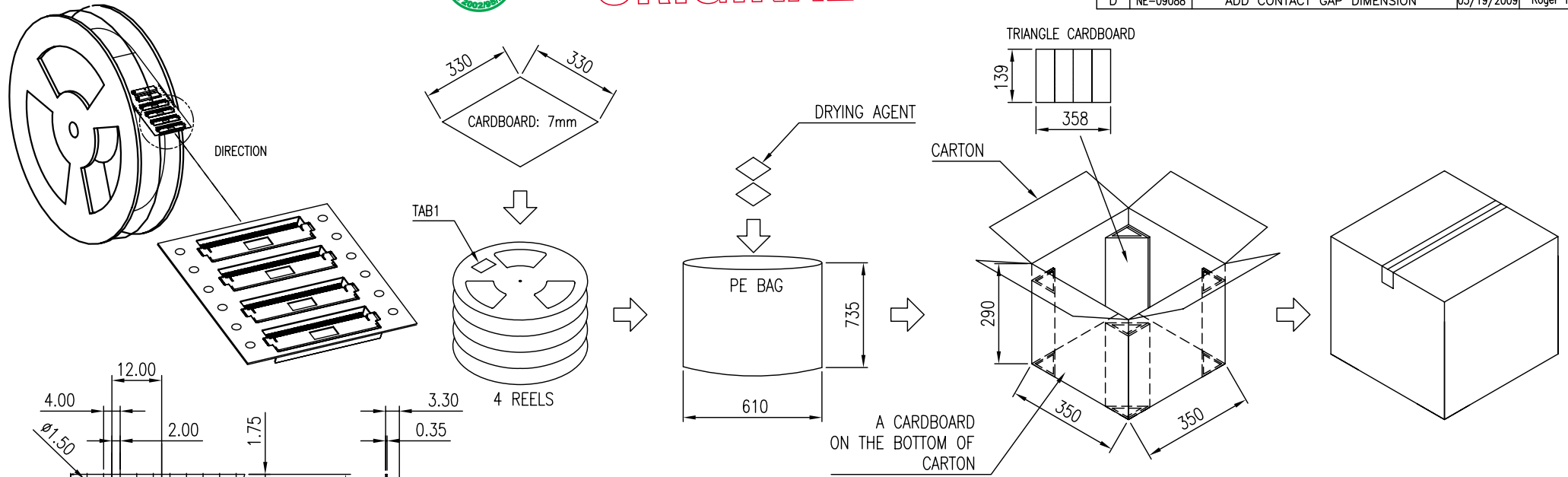
This document is the property of Amphenol Corporation and is delivered on the express condition that it is not to be disclosed, reproduced or used, in whole or in part, for manufacture or sale by anyone other than Amphenol Corporation without its prior consent, and that no right is granted to disclose or to use any information in this document.



CUSTOMER DRAWING ORIGINAL



REVISIONS				
SYM	ECN No.	DESCRIPTION	DATE	APPROVED
A		RELEASE TO PRODUCTION	07/27/2007	Hank Hsu
B	NE-07867	ADD PKG SPEC	10/30/2007	Hank Hsu
C	NE-08007	REVISED DWG	01/08/2008	Hank Hsu
D	NE-09088	ADD CONTACT GAP DIMENSION	05/19/2009	Roger Tsai



LABEL INFORMATION

P/N(IP) : G65605023301BEU G65605023301BEU	P/N(IP) : G65605023301BEU G65605023301BEU	
Q'TY(Q) : 1000 1000	Q'TY(Q) : 4000 1000	
P/O(K) : 411-012345-001 *411-012345-001*	P/O(K) : 411-012345-001 *411-012345-001*	
DATE : MM/DD/YYYY G.W. : X.XX KG	DATE : MM/DD/YYYY G.W. : X.XX KG	
GP	GP	
Amphenol Taiwan Corporation	Amphenol Taiwan Corporation	

TAB1 <REEL LABEL EXAMPLE> TAB2 <CARTON LABEL EXAMPLE> TAB3 <CARTON COLOR TAB>

NOTES:

- 1000 PCS/REEL
- 4 REEL/PE-BAG (4000 PCS/CARTON)
- IF THE QUANTITIES DO NOT EXCEED THE LEAST PACKAGE WILL NOT FOLLOW THIS SPEC, BUT MUST SHOW Amphenol's P/N ON THE PACKAGE.
- THIS PRODUCT DOES NOT CONTAIN ENVIRONMENTAL HAZARDOUS MATERIAL PER MATERIAL SPECIFICATION SS-00259 FOR SONY GP.
- PER AMTA PACKING SPECIFICATION PKS-0001.

TOLERANCE m/m	APPROVALS	DATE	TITLE	Amphenol®		
x. ±0.30	DRAWN Roger Tsai	05/19/2009	G656 SERIES CF SOCKET CONNECTOR SMT TYPE, FEMALE, UPPER BLOCK 50 POS., W/ ESD GND	Amphenol Corporation Amphenol Taiwan Corporation		
x.x ±0.25	CHECKED Daniel Hsieh	05/19/2009				
x.xx ±0.15	APPROVED Roger Tsai	05/19/2009				
x.xxx ±0.08				SCALE	N.A.	SHEET 2 OF 2
ANGULAR ±2°						
UNLESS OTHERWISE SPECIFIED	UNIT	MM	SIZE	PART NO.	DRAWING NO.	REV.
			A4	G65605023301BEU	OTHER-G65605023301BEU	D

Mouser Electronics

Authorized Distributor

Click to View Pricing, Inventory, Delivery & Lifecycle Information:

[Amphenol:](#)

[G65605023301BEU](#)