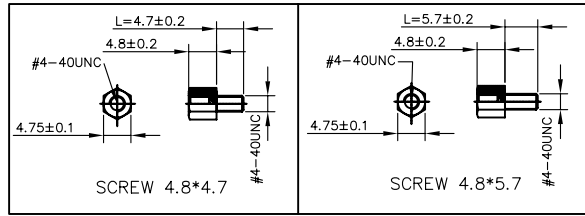
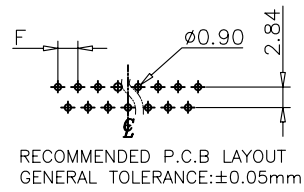
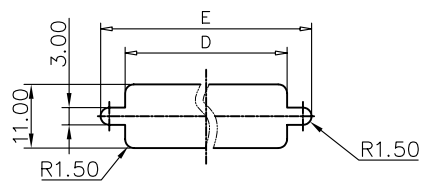
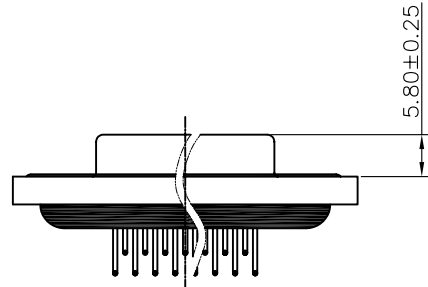
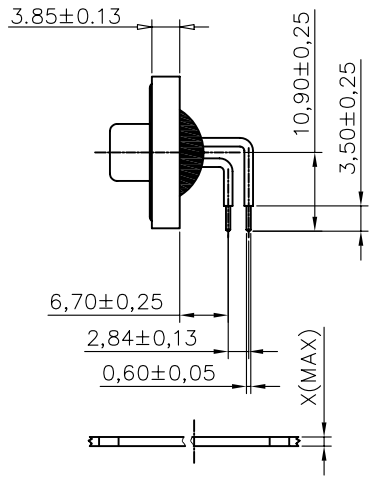
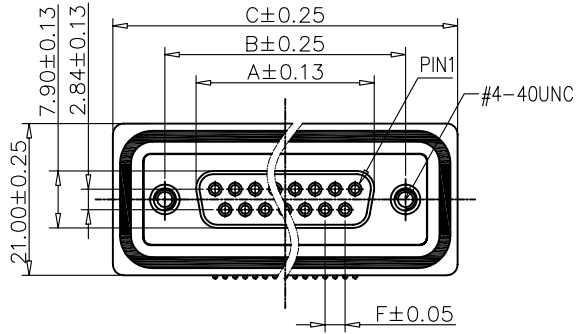


This document is the property of Amphenol Corporation and is delivered on the express condition that it is not to be disclosed, reproduced or used, in whole or in part, for manufacture or sale by anyone other than Amphenol Corporation without its prior consent, & that no right is granted to disclose or to use any information in this document.



Customer drawing

POSITION	A	B	C	D	E	F(PITCH)
9	16.24	24.99	39.40	20.00	28.20	2.74
15	24.60	33.32	47.70	28.00	36.50	2.74
25	38.38	47.04	64.50	41.50	51.00	2.77
37	54.76	63.50	80.78	57.80	67.30	2.77

REVISIONS				
SYM	ECN	DESCRIPTION	DATE	APPROVED
1		New release	06/22/10	IP

D-SUB TECHNICAL DATA

SHELL : Steel, 1.25um(50u") min nickel
 BODY : Glass filled thermoplastic.
 PLATE : Glass filled thermoplastic.
 CONTACTS : Brass,gold over 50u" min nickel.(According to the P/N)
 SCREWLOCK : Brass, 50u" min nickel
 REAR INSERT: Brass, 50u" min nickel
 O RING : Silicone Color: Blue
 EPOXY: Color: Black
 ELECTRICAL : Voltage rating : 300 V RMS at 50 Hz
 Current rating : 5A
 Insulation resistance >5000 M Ohms
 Contact resistance 20mOhms max.
 MARKING : Amphenol logo
 Manufacturing date(YYWW)



NOTE: Screw L=4.7 For Panel Thickness Under X=1.2mm
 Screw L=5.7 For Panel Thickness Between X=1.2~2.0mm

PRODUCT CODE

L 17ED XX S 3 X

L: RoHS Compliance

17ED: standard density series

Number of contacts Standard density: 09, 15, 25, 37

Contact plating:
 0: gold flash
 1: 0.38um(15u")
 2: 0.76um(30u")

Termination:
 3: Right angle without brackets or boardlocks

Contact type
 S: Socket

UNLESS OTHERWISE SPECIFIED TOLERANCES U.S. METRIC

.X +/- 0.50
 .XX +/- 0.30
 .XXX +/- 0.20
 FRACTIONS +/- 2'
 ANGLES +/-

FOR MATERIALS AND FINISHES SEE NOTES

REMOVE SHARP EDGES

DIMENSIONS U.S. INCHES METRIC MM

APPROVAL DATE

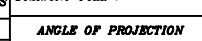
DRAWN Lamon Ho 06/22/10

CHECKED Luk Wang 06/22/10

CHECKED

DRAWING FILE :

ANGLE OF PROJECTION



Amphenol

Amphenol East Asia Limited

TITLE

D-sub Waterproof, ED series female Right angle without brackets or boardlocks type

SIZE DRAWING NO.

A4 C L17EDXXS3X

SCALE NONE

SHEET 1 OF 1

A

REV. 1

Mouser Electronics

Authorized Distributor

Click to View Pricing, Inventory, Delivery & Lifecycle Information:

[Amphenol:](#)

[L17ED25S31](#) [L17ED37S30](#) [L17ED37S32](#)