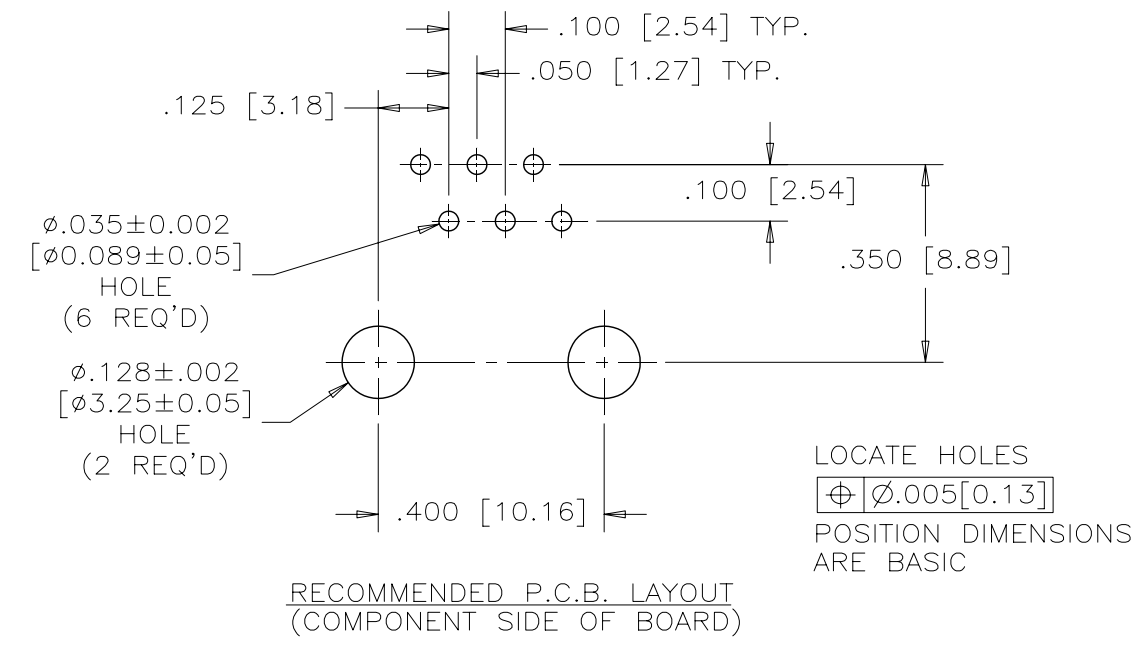
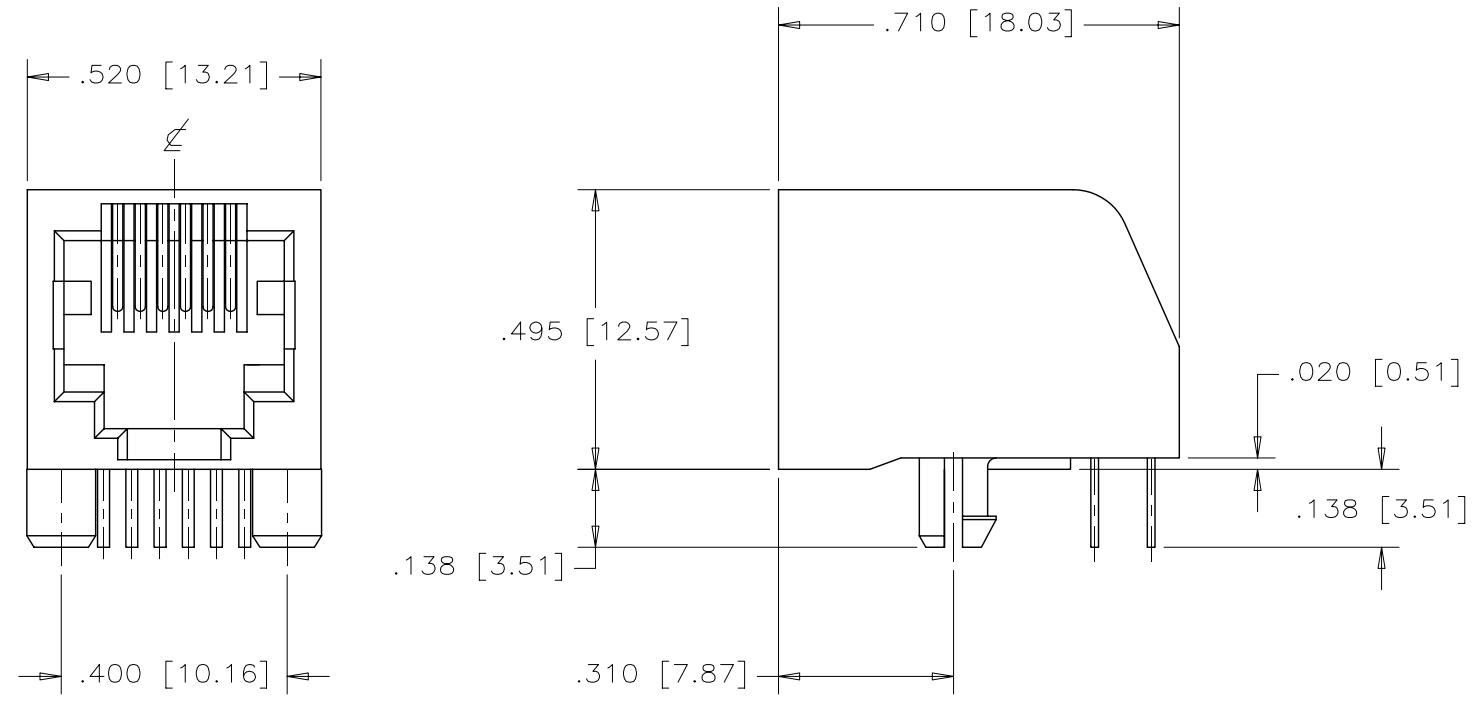


| REVISIONS | | | | |
|-----------|------|--------------|----------|--------|
| SYM | ZONE | ECN, ERN NO. | DATE | APPRD. |
| A | | PROPOSAL | MAY04/06 | L.CHAN |



MATERIALS:
 PLASTIC HOUSING: ENGINEERING THERMOPLASTIC
 FLAMMABILITY RATING UL94V-0

CONTACTS:
 PHOSPHOR BRONZE
 PLATING: REFER TO PART NUMBER FOR GOLD THICKNESS ON MATING SURFACES.
 50 μ " [1.27 MICRONS] MIN. NICKEL UNDERPLATE.
 100 μ " [2.54 MICRONS] MIN. MATTE-TIN OR GOLD FLASH ON CONTACT TAILS.

RECOMMENDED SOLDERING TEMPERATURE:
 WAVE SOLDERING AT 240°C MAXIMUM FOR 5 SEC MAXIMUM

PART NUMBER: RJE03-166-0X10

- 1 = 06 μ " GOLD
- 2 = 15 μ " GOLD
- 3 = 30 μ " GOLD
- 4 = 50 μ " GOLD

| | |
|-------------------------------|--------------------|
| DRAWN PAULW | DATE MAY04/06 |
| DESIGNED | |
| CHECKED CHIGOW | DATE MAY04/06 |
| I. E. APPRD. | |
| Q. A. APPRD. | |
| DWG. APPRD. | |
| ENG. REL. NO. | |
| REF. | |
| DIMENSIONS ARE IN INCHES [mm] | CODE ID. NO. 03554 |

| | |
|--|------------------------------------|
| Amphenol Canada Corp. | |
| TITLE MODULAR JACK 6 POSITIONS, 6 CONTACTS LOW PROFILE, SINGLE PORT - RoHS COMPLIANT | |
| DWG. | DRAWING NO. P-RJE03-166-0X10 |
| REV. A | |
| SCALE | WT. ----- SURF. ----- SHEET 1 OF 1 |

THIS DOCUMENT CONTAINS PROPRIETARY INFORMATION AND SUCH INFORMATION MAY NOT BE DISCLOSED TO OTHERS FOR ANY PURPOSE OR USED FOR MANUFACTURING PURPOSES WITHOUT WRITTEN PERMISSION FROM AMPHENOL CANADA CORP.

Mouser Electronics

Authorized Distributor

Click to View Pricing, Inventory, Delivery & Lifecycle Information:

[Amphenol:](#)

[RJE03-166-0110](#)