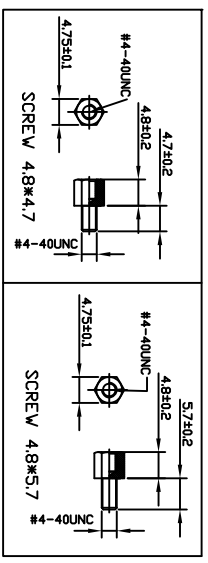
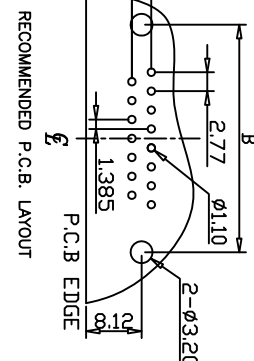
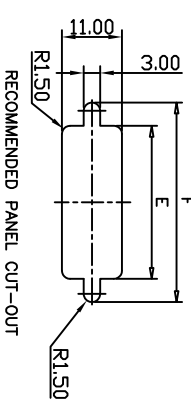
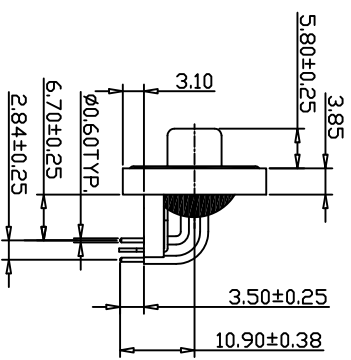
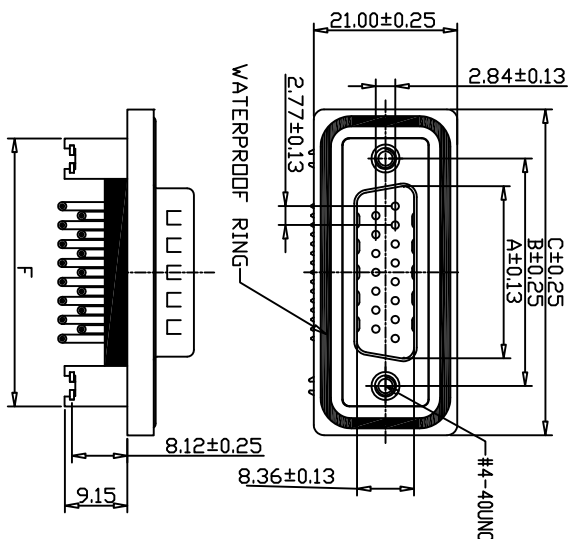


This document is the property of Amphenol Connector Ltd. It shall not be reproduced, stored in a retrieval system, or transmitted in any form or by any means, electronic, mechanical, photocopying, recording, or by any information storage and retrieval system, without the prior written permission of Amphenol Connector Ltd. All rights reserved.



Screw L=4.7 For Panel Thickness Under 1.2mm  
Panel Thickness 1.2~2.0mm  
Screw L=5.7 For Panel Thickness Between 1.2~2.0mm  
Panel Thickness 1.2~2.0mm



# Customer drawing

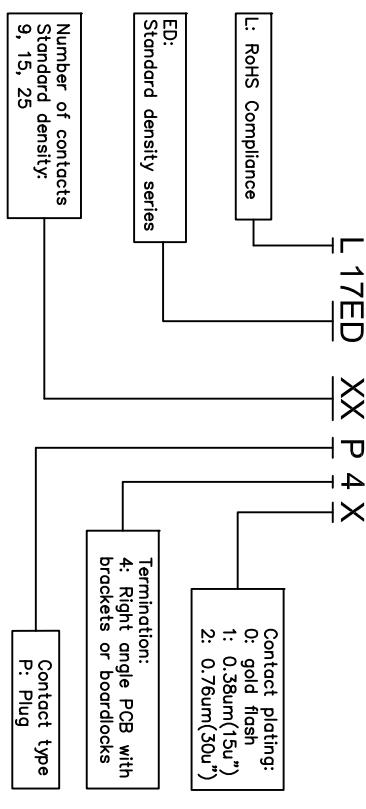
POSITION	A	B	C	D	E
9	16.92	24.99	39.40	20.00	28.20
15	25.25	33.32	47.70	28.00	36.50
25	38.96	47.04	64.50	41.50	51.00

REVISONS			DATE	APPROVED
SN	EDN	DESCRIPTION		
1			10/19/09	

## D-SUB TECHNICAL DATA

SHELL : Steel, 1.25um(50u") min. nickel  
 BODY : Glass filled thermoplastic.  
 Flame retardant to UL94 V-0 Color Black  
 CONTACTS : Brass  
 Gold over 50u" min nickel (According the p/n)  
 SCREWLOCK : Brass, 50u" min nickel  
 REAR INSERT : Brass, 50u" min nickel  
 ELECTRICAL : Voltage rating : 3050 V RMS at 50 Hz  
 Current rating : 5A  
 Insulation resistance >5000 M Ohms  
 Contact resistance 10mOhms max.  
 MARKING : Amphenol-...(Series No.)  
 Commercial reference  
 Manufacturing date

## PRODUCT CODE



UNLESS OTHERWISE SPECIFIED		APPROVAL		DATE	
TOLERANCES	U.S.	METRIC	DRAWN	CHECKED	ENG
X	±	0.50			
XX	±	0.20			
XXX	±	0.10			
ANGLES	±	2'			
REMOVE SHARP EDGES					
SEE NOTES					
DRAWING FILE:					
ANGLE OF PROJECTION					
TITLE					
D-SUB Waterproof series male R/A type					
w/ boardlock & standoff					
Amphenol					
Amphenol East Asia Limited					
SIZE		DRAWING NO.		REV.	
A4		C 17EDXXP4X		1	
SCALE		NONE		SHEET 1 OF 1	

# Mouser Electronics

Authorized Distributor

Click to View Pricing, Inventory, Delivery & Lifecycle Information:

[Amphenol:](#)

[L17ED25P41](#)