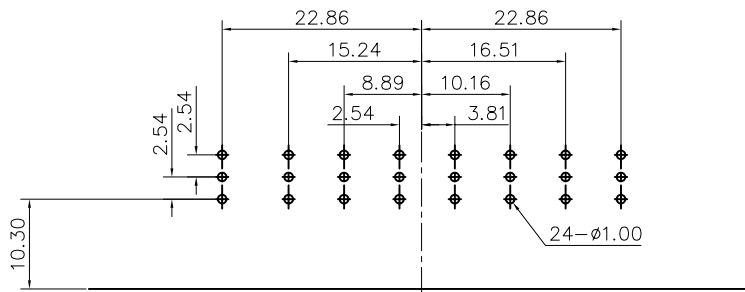
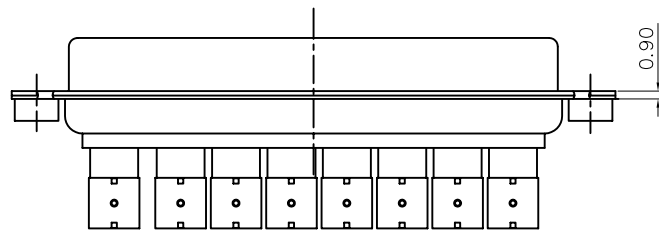
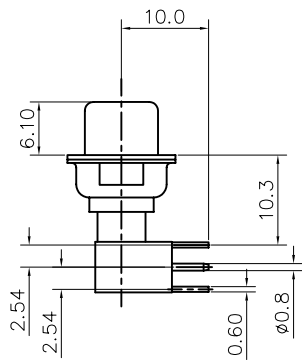
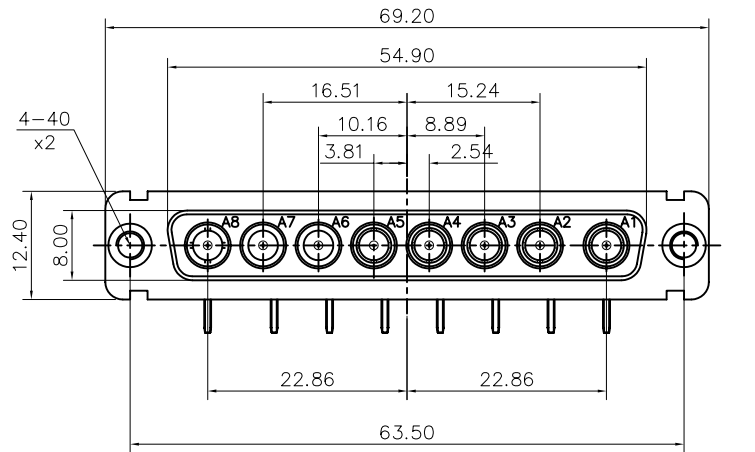


This document is the property of Amphenol Corporation and is delivered on the express condition that it is not to be disclosed, reproduced or used, in whole or in part, for manufacture or sale by anyone other than Amphenol Corporation without its prior consent, & that no right is granted to disclose or to use any information in this document.



P.C.B EDGE

RECOMMENDED P.C.B LAYOUT

(TOLERANCE +/-0.03)

Customer drawing

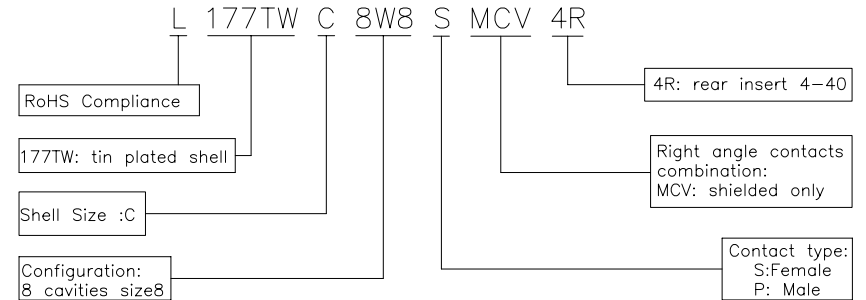


REVISIONS				
SYM	ECN	DESCRIPTION	DATE	APPROVED
1		NEW RELEASED	09/26/08	

D-SUB TECHNICAL DATA

SHELL: Steel 2.5um(100u") min tin over 1.25um(50u") min nickel
 BODY: Glass filled thermoplastic.
 Flame retardant to UL94 V-0 Color Black
 CONTACTS: Shield contacts: phosphor bronze
 Inner conductor: 0.76um(30u") min gold over 1.25um(50u") min nickel
 Outer ring: 0.1(4u") min gold over 1.25um(50u") min nickel
 Terminations: 2.5um(100u") min tin over 1.25um(50u") min nickel
 REAR INSERT: Brass, 2.5um(100u") min tin over 1.25um(50u") min nickel
 ELECTRICAL: Voltage rating : 150 V RMS at 50 Hz
 Current rating : 0.5A.
 Withstanding Voltage >1000 V RMS at 50 Hz for one minute
 Insulation resistance >5000 M Ohms
 Contact resistance 5 mOhms max.
 CLIMATIC: Temperature range -55 °C up to 155°C
 Damp heat 56 days(40 °C-95% HR)
 MARKING: Amphenol...(Series No.)
 Manufacturing date
 Commercial reference

PRODUCT CODE



UNLESS OTHERWISE SPECIFIED TOLERANCES		APPROVAL		DATE
U.S.	METRIC	DRAWN	Checked	09/26/08
.X +/-	0.50		Christine	
.XX +/-	0.30	CHECKED	Wk.wang	09/26/08
.XXX +/-	0.20	CHECKED		
FRACTIONS +/-				
ANGLES +/-	2'			
FOR MATERIALS AND FINISHES SEE NOTES		DRAWING FILE :		
REMOVE SHARP EDGES		ANGLE OF PROJECTION		
DIMENSIONS				
U.S.	INCHES			
METRIC	MM			

Amphenol®		
TITLE Hybrid connector, TW series		
SIZE	DRAWING NO.	REV.
A4	C L177TWC8W8SMCV4R	1
SCALE	NONE	SHEET 1 OF 1

Mouser Electronics

Authorized Distributor

Click to View Pricing, Inventory, Delivery & Lifecycle Information:

[Amphenol:](#)

[L177TWC8W8SMCV4R](#)