

TECHNICAL DATA

D-SUBMINIATURE CONNECTORS

ELECTRICAL CHARACTERISTICS:

Contact Current Rating: 3 Amperes.
 Dielectric Withstanding Voltage: AC 1000/60sec./r.m.s.
 Insulation Resistance: 5000 Megohms Minimum at DC 500V.
 Contact Resistance: 25 Milliohms Maximum.
 Operating Temperature: -55°C to +105°C.

MATERIALS:

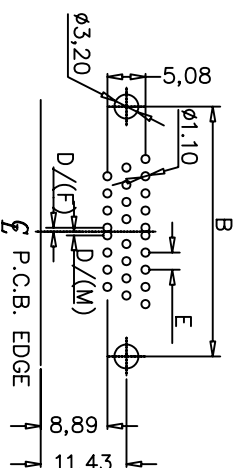
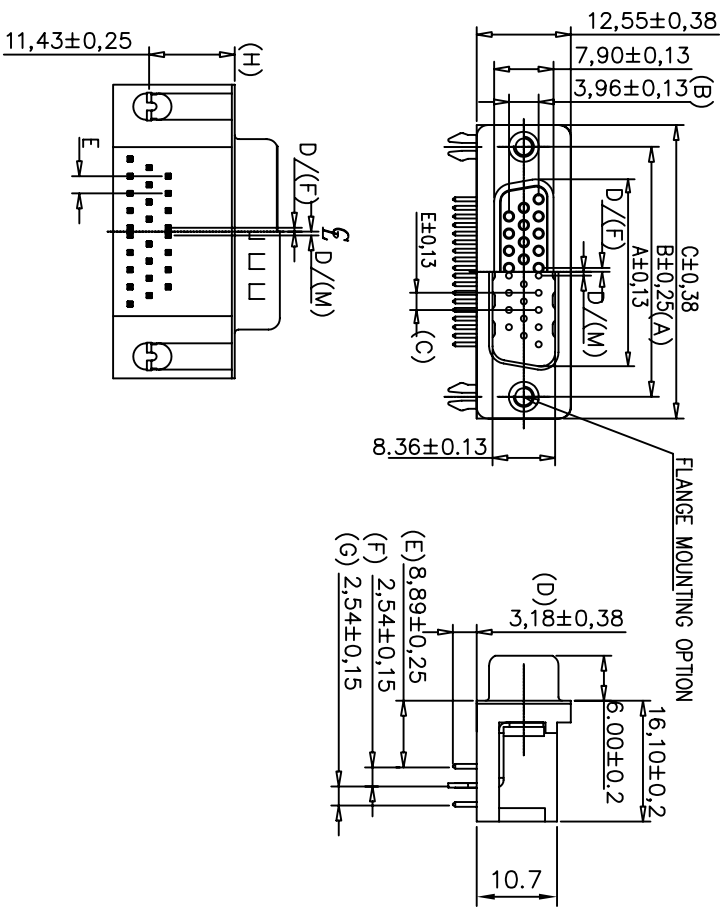
Contacts: Brass.
 Insulator: NYLON 9T
 It Can Withstand 260 Degrees Celsius For 10 Seconds
 Maximum Duration, Twice.
 Shell: Cold Roller Steel.

FINISHES:

Contact: Gold Flash.
 Shell: Nickel Plated.

MARKING : Amphenol-...(Series No.)

Commercial reference
 Manufacturing date

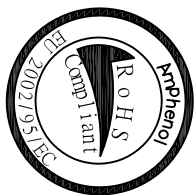
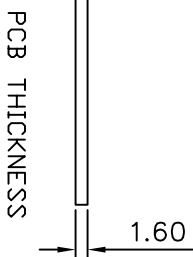


RECOMMENDED P.C.B. LAYOUT

INSPECTION DIMENSION: (A)~(H)

POSITION	A	B	C	D	E	F	G
15F	16,30	24,99	30,81	0,25	2,29	20,00	28,20
26F	24,66	33,32	39,14	0,51	2,29	28,00	36,50
44F	38,38	47,04	53,04	0,51	2,29	41,50	51,00
62F	54,84	63,50	69,32	0,58	2,41	41,50	51,00

POSITION	A	B	C	D	E	F	G
15M	16,92	24,99	30,81	0,25	2,29	20,00	28,20
26M	25,25	33,32	39,14	0,51	2,29	28,00	36,50
44M	38,96	47,04	53,04	0,51	2,29	41,50	51,00
62M	55,42	63,50	69,32	0,58	2,41	41,50	51,00

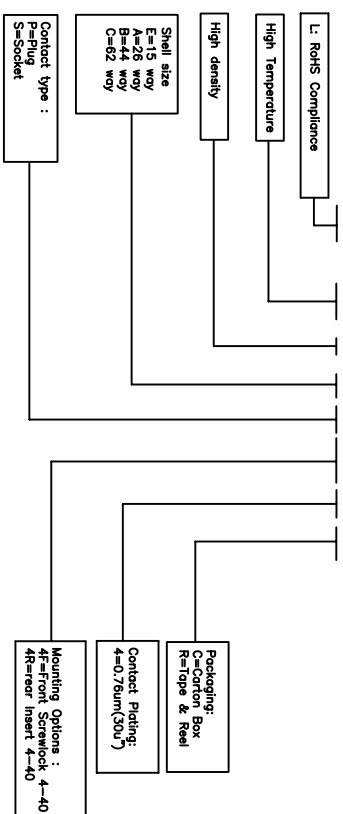


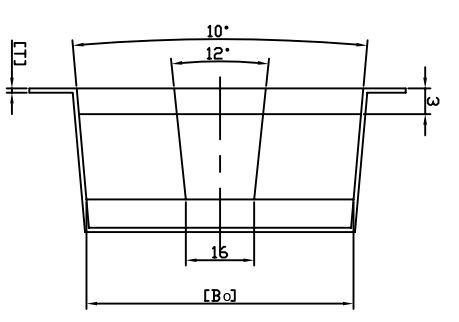
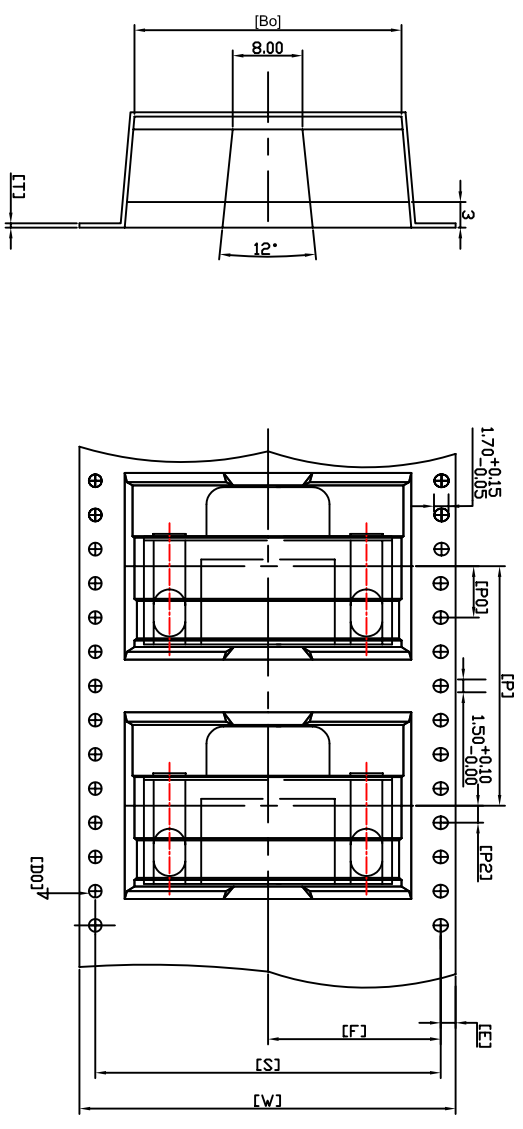
Amphenol

SERIES		L17 HT Series	
NUMBER SERIES		L17 HT Series	
DATE		2007.06.12	
DESIGNATION		Right Angle Type	
TOL. GEN. : ±0,30			
VOLUME:			
AREA:			
PLATING:			
TREATMENT:			
MATERIAL:			
CUSTOMER	MODIFICATIONS	DRAW	DATE
PART NUMBER			
L17HTHX4X4X			

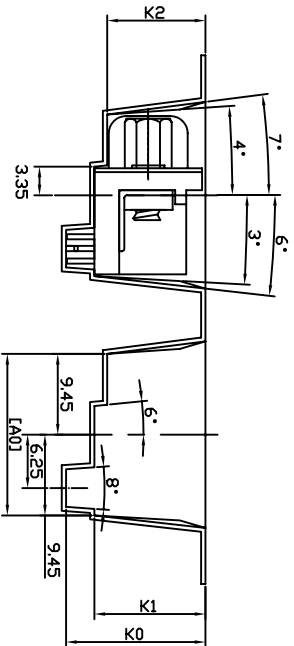
PRODUCT CODE

L 17HT H X X 4X 4 X





繪圖 36 封層 36+ 層間 27 口線



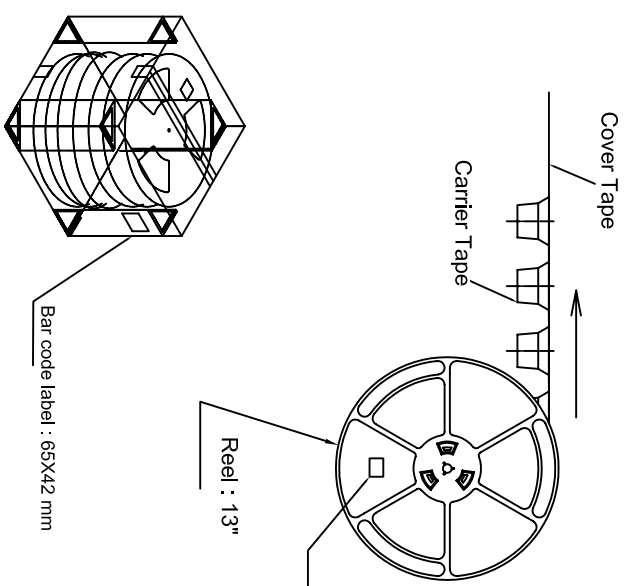
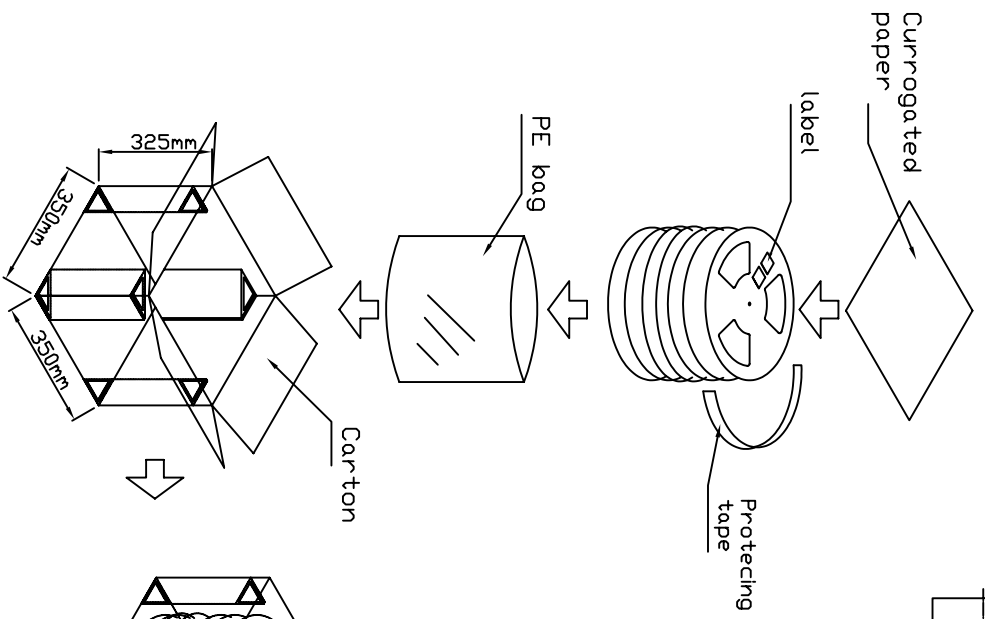
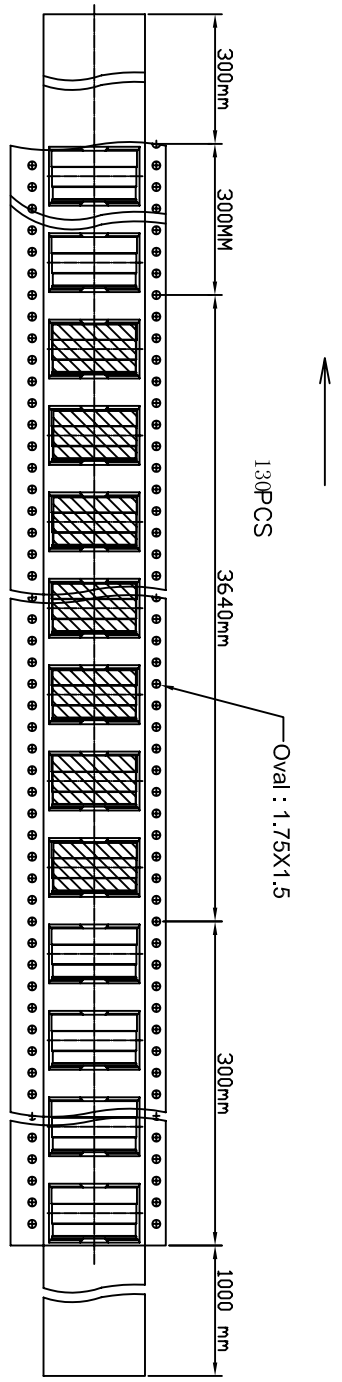
1SP	26P	44P	62P
W 56.00 ^{+0.30} _{-0.30}	56.00 ^{+0.30} _{-0.30}	72.00 ^{+0.30} _{-0.30}	88.00 ^{+0.30} _{-0.30}
S 52.40±0.10	52.40±0.10	68.40±0.10	84.40±0.10
E 1.75±0.10	1.75±0.10	1.75±0.10	1.75±0.10
T 0.50±0.05	0.50±0.05	0.50±0.05	0.50±0.05
F 26.20±0.15	26.20±0.20	34.20±0.20	42.20±0.30
P 32.00±0.10	32.00±0.10	32.00±0.10	32.00±0.10
Po 4.00±0.10	4.00±0.10	4.00±0.10	4.00±0.10
P2 2.00±0.15	2.00±0.20	2.00±0.20	2.00±0.20
Do Ø1.50 ^{+0.10} ₀	Ø1.50 ^{+0.10} ₀	Ø1.50 ^{+0.10} ₀	Ø1.50 ^{+0.10} ₀
Ao 22.30±0.10	22.30±0.10	22.30±0.10	22.30±0.10
Bo 31.20±0.10	39.70±0.10	53.40±0.10	69.80±0.10
Ko 16.55±0.10	16.55±0.10	16.55±0.10	16.55±0.10

- Notes:
- 1.Packing Conforms EIA-481-C Standards.
 - 2.10 sprocket hole pitch cumulative tolerance±0.2mm.
 - 3.Carrier camber is within 1mm in 250mm.
 4. Material:BLACK Polystyrene, ESD
 - 5.Packing length per 13'Reel: 5.2Meters.
 - 6.Component load per 13'Reel: 100PCS.



TOLERANCE (mm)	APPROVALS	DATE	TITLE
X. ±0.3	DRAWN Stephane	07/Jun/2007	Tape Reel packing for Right Angle type D-sub
X.X ±0.2	CHECKED Rob K.	08/Jun/2007	
X.XX ±0.15	APPROVED Rob K.	08/Jun/2007	
UNLESS OTHERWISE SPECIFIED			UNIT: mm
SIZE: A4			DRAWING: L17HTHX4R
Scale N.A.		Sheet 1 of 1	

AMPHENOL
Amphenol European
Design Center



S.D.	H.D.	V	Reel Qty / Carton
09P	15P	44	6R
15P	26P	56	5R
25P	44P	72	4R
37P	62P	88	3R

(P) Product No. RNT 403 249/309
 Product description R/A High Temp D-sub Connector
 (1T) Lot No YY WW
 (21P) Revision
 Country of Origin CN
 (Q) Quantity 1000
 Amphenol L17HTXXX4X4R
 Reel Quantity 5

(P) Product No. RNT 403 249/309
 Product description R/A High Temp D-sub Connector
 (1T) Lot No YY WW
 (21P) Revision
 Country of Origin CN
 (Q) Quantity 1000
 Amphenol L17HTXXX4X4R

TOLERANCE (mm)	APPROVALS	DATE
X. ±0.3	DRAWN Stephane	07/Jan/2007
XX ±0.2	CHECKED Rob K.	08/Jan/2007
XXX ±0.15	APPROVED Rob K.	08/Jan/2007

TITLE
 Tape Reel packing for Right Angle type D-sub

AMPHENOL
 Amphenol European Design Center

Scale N.A. Sheet 1 of 1



Mouser Electronics

Authorized Distributor

Click to View Pricing, Inventory, Delivery & Lifecycle Information:

[Amphenol:](#)

[L17HTHCS4F4R](#)