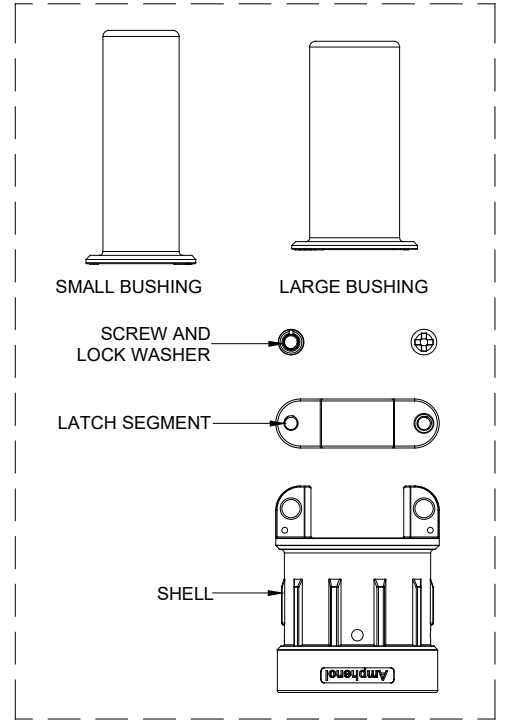
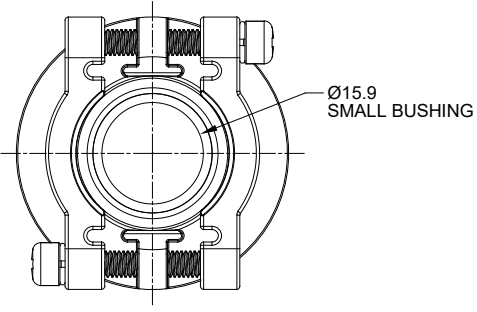
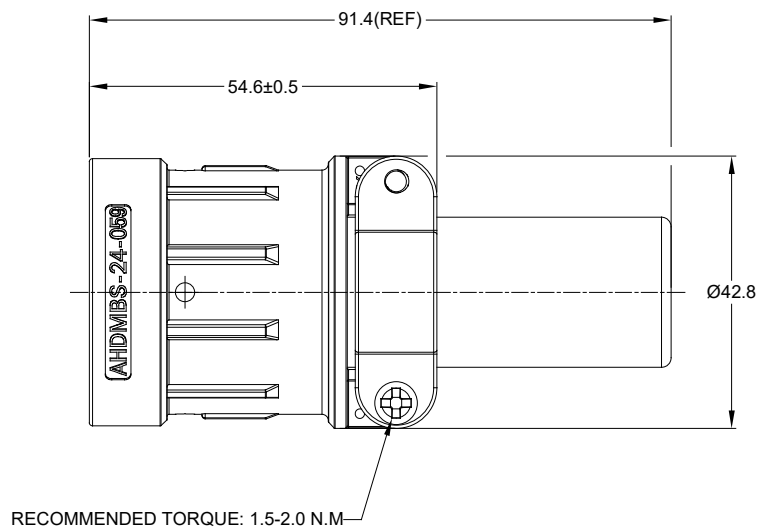


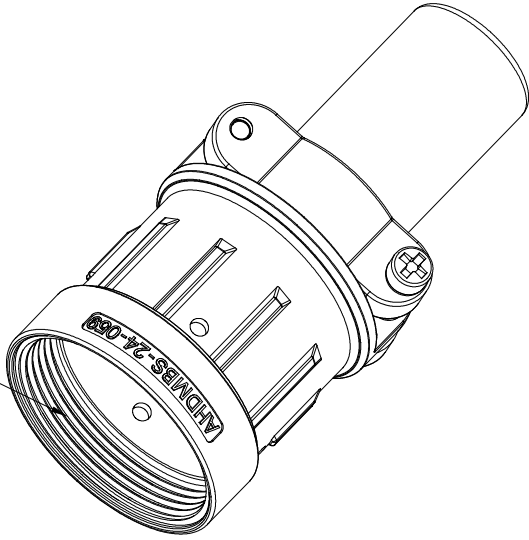
REVISIONS					
REV	ECO	DESCRIPTION	DATE	BY	APPR
A1	--	RELEASE NEW PRODUCT	30/AUG/19	ROOKIE	TOMMY
A2	--	REVISED BUSHING NOTES	20MAR2020	J.HEAD	DH



NOTES: UNLESS OTHERWISE SPECIFIED

- MATERIAL:  
SHELL: ALUMINIUM ALLOY, NICKEL PLATED;  
LATCH SEGMENT: ALUMINIUM ALLOY, NICKEL PLATED;  
SCREW AND LOCK WASHER: STAINLESS STEEL;  
BUSHING: EPDM
- USE WITH AHDM SERIES SIZE 24 MODIFICATION .
- APPLY TO CABLE OD SIZE: Ø11.20-Ø24.08 . CAN BE USED:
  - WITH LARGE AND SMALL BUSHINGS IN PLACE.
  - WITH ONLY LARGE BUSHING IN PLACE.
  - WITH BOTH BUSHINGS REMOVED.
- RoHS COMPLIANT.
- ALL DIMENSIONS ARE FOR REFERENCE USE ONLY.

M38X1.5 6H THREAD



AHDMS-24-059		DESCRIPTION		ITEM
PART NUMBER		DESCRIPTION		ITEM
QUANTITY		MATERIALS LIST		
UNLESS OTHERWISE SPECIFIED 1) All dimensions are in metric (mm). 2) Tolerances are as follows: 1 PL DEC ±0.30 2 PL DEC ±0.15 3 PL DEC ±0.08 3) Note reference =		SIGNATURES		DATE
		DRAWN: ROOKIE		30/AUG/19
		CHECKED: ORION		30/AUG/19
		ENGINEER:		
		APPROVAL: TOMMY		30/AUG/19
MATERIAL SPECIFICATIONS:		CUSTOMER:		
PROCESS SPECIFICATIONS:		THIS DRAWING IS SUPPLIED FOR INFORMATION ONLY. DESIGN FEATURES, SPECIFICATIONS AND PERFORMANCE DATA SHOWN HEREON ARE THE PROPERTY OF THE AMPHENOL CORPORATION. NO RIGHTS OF REPRODUCTION ARE IMPLIED. ALL DIMENSIONS ARE SUBJECT TO NORMAL MANUFACTURING VARIATIONS.		
NEXT ASSY:		SCALE: NONE		
		SIZE: B C-		DWG NO: AHDMS-24-059
		REVISION: A2		SHEET 1 OF 1

TITLE: BACKSHELL CABLE CLAMP, 24 SZ, AHDM  
DWG NO: AHDMS-24-059  
REV: A2  
SH: 1  
OF: 1

**Amphenol**  
Sine Systems - www.amphenol-sine.com  
44724 Morley Drive  
Clinton Township, MI 48036

BACKSHELL, CABLE CLAMP, 24 SZ, AHDM

# Mouser Electronics

Authorized Distributor

Click to View Pricing, Inventory, Delivery & Lifecycle Information:

[Amphenol:](#)

[AHDMB5-24-059](#)