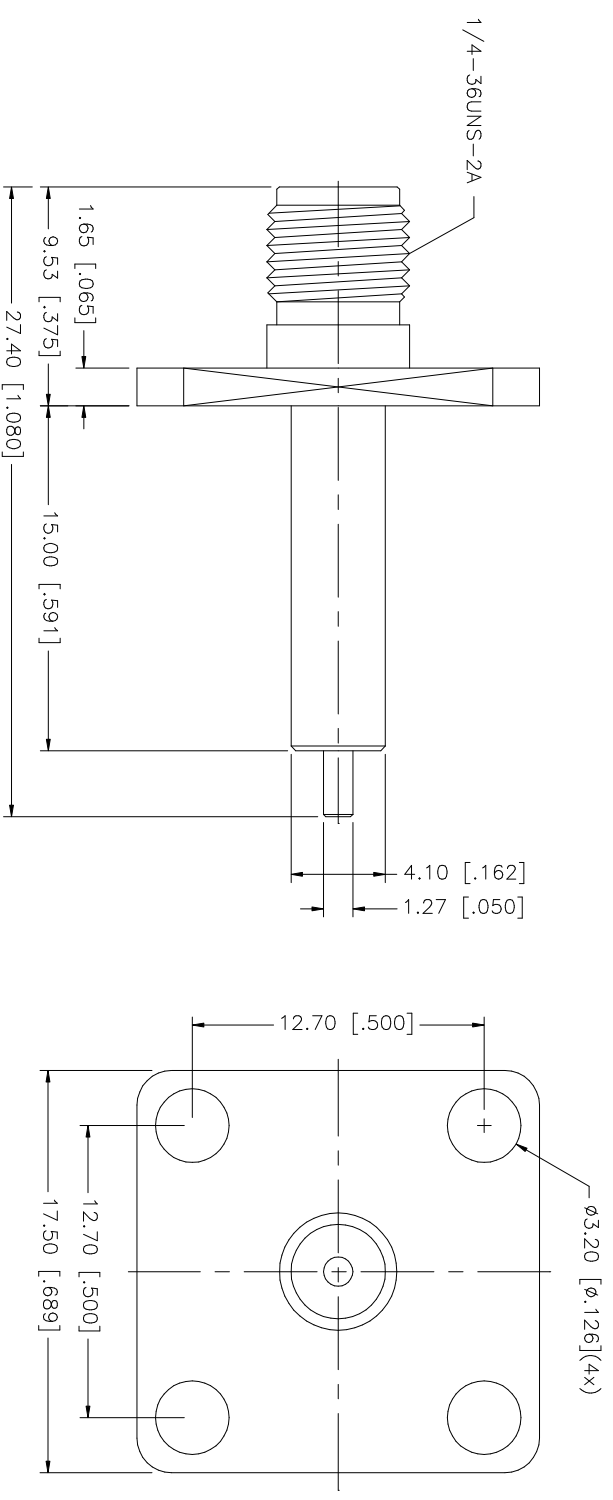


REV.	DATE	DESCRIPTION
NC	05/03/03	INITIAL RELEASE



NO.	DESCRIPTION	MATERIAL	FINISH	QTY	DO NOT SCALE DRAWING	APPROVALS	DATE	PART DESCRIPTION	DWG. NO.	REV.	NC	SIZE	SCALE
8					UNLESS OTHERWISE SPECIFIED DIMENSIONS ARE IN MILLIMETERS. DIMENSIONS IN [] ARE IN INCHES AND FOR CUSTOMER REFERENCE ONLY.			Amphenol Connex SMA PANEL RECEPTACLE JAC BNC FLANGE 132354	132354.DWG	NC	A	N/A	
7				UNLESS OTHERWISE SPECIFIED TOLERANCES FOR MILLIMETERS ARE:	DRAWN	05/03/03							
6				0.5 - 8mm ± 0.20mm	G.R.S.								
5				8 - 30mm ± 0.40mm	CHECKED								
4				30 - 120mm ± 0.50mm	ISSUED								
3	CONTACT PIN	BER. COPPER	GOLD	1	UNLESS OTHERWISE SPECIFIED TOLERANCES FOR INCHES ARE:	SHEET	1 OF 1						
2	INSULATOR	TEFLON	NATURAL	1	0.20 - .315 = ± 0.007"								
1	BODY	BRASS	GOLD	1	.315 - 1.180 = ± 0.015" 1.180 - 4.724 = ± 0.020"								
	DESCRIPTION												

CAD FILE
C:/132/132354.DWG

Mouser Electronics

Authorized Distributor

Click to View Pricing, Inventory, Delivery & Lifecycle Information:

[Amphenol:](#)

[132354](#)