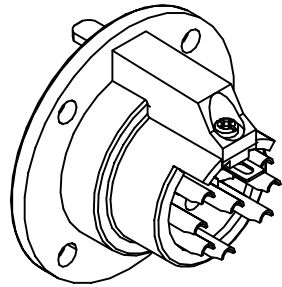
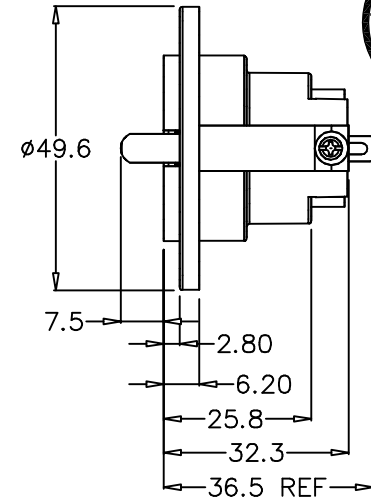
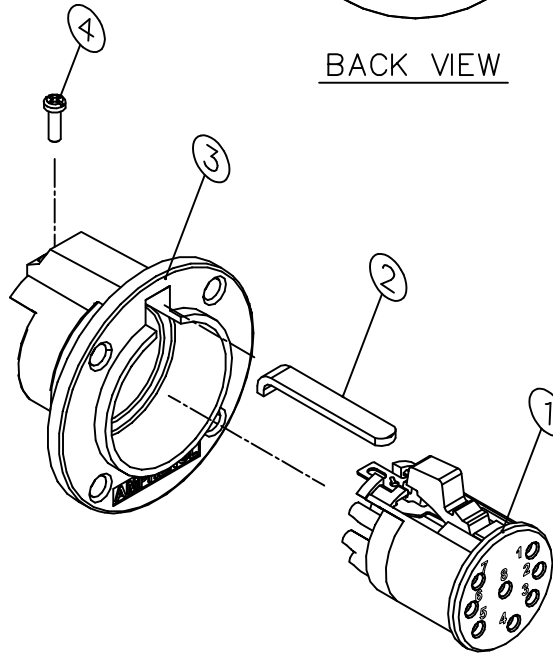


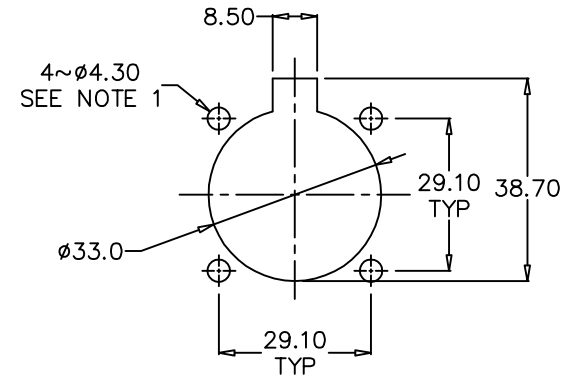
BACK VIEW



ISO VIEW



TOP VIEW



PANEL CUT OUT



AP-* -13 TYPE	EP/AP INSERT P/N
AP - 2 - 13	156-4401-002
AP - 3 - 13	156-4401-003
AP - 4 - 13	156-4401-004
AP - 5 - 13	156-4401-005
AP - 6 - 13	156-4401-006
AP - 8 - 13	156-4401-008

NOTE: 1. THE DIAMETER OF THE 4 MOUNTING HOLES ON THE PANEL CUT OUT DEPENDS ON THE SIZE OF THE SCREW TO BE USED  
2. FOR EXAMPLE: FOR AN AP-8-13 USE ASSY No. 128209-0008

5	990-4501-000	990-4501-000	2-32 PAN HEAD SCREW, SHORT	1	UNLESS OTHERWISE SPECIFIED TOLERANCE TO BE	THIS DOCUMENT IS THE PROPERTY OF AMPHENOL AUSTRALIA PTY. LTD.. NO PART THEREOF MAY BE REPRODUCED AND USED WITHOUT THE PRIOR WRITTEN CONSENT OF THE OWNER	1	UPDATE TO AMPHENOL TITLE BLOCK & LOGO REDRAW, ADD BOM & PANEL CUT OUT DETAILS	M.N.H.	24-04-01	7788				
4	990-4400-000	990-4400-000	2-32 PAN HEAD SCREW, LONG	1			LINEAR	FIRST ISSUE	S.M.D	07-02-90	----				
3	248-4413-000	248-4413-000	AP MRK II 13 SHELL	1	ANGULAR	CAD FILE: 00810100	DRN: S.M.D	DATE: 07-02-90	REV.	CHANGE DETAILS	BY	DATE	CHG/No		
2	208-4001-000	208-4001-000	EP/AP LATCH LEVER	1	X ± 1.00 X' ± 1°	MATL: REFER TO COMPONENT	CKD: T.N	DATE: 18-09-01	TITLE: AP-* -13 CUSTOMER/ASSEMBLY DRAWING						
1	REFER CHART	REFER CHART	EP SOCKET INSULATOR ASSY	1	X.X ± 0.50 X'X' ± 30°	FINISH: REFER TO COMPONENT	APP'D: P.M	DATE: 11-10-01	Amphenol Australia Pty Ltd, 2 Fineways Blvd, Keysborough, Vic 3173						
ITEM	PART No.	DWG No.	DESCRIPTION	QTY	DO NOT SCALE	DIMENSIONS IN MILLIMETRES	THIRD ANGLE PROJECTION	SCALE: 2:1 UOS	PART No:	128209-000*	SIZE: A3	DRAWING NO.	128209-000*	SHEET	1 of 1

1

2

3

4

5

6

# Mouser Electronics

Authorized Distributor

Click to View Pricing, Inventory, Delivery & Lifecycle Information:

[Amphenol:](#)

[AP-6-13](#)