

## Han-Eco 16B Punching unit f. rear assy.

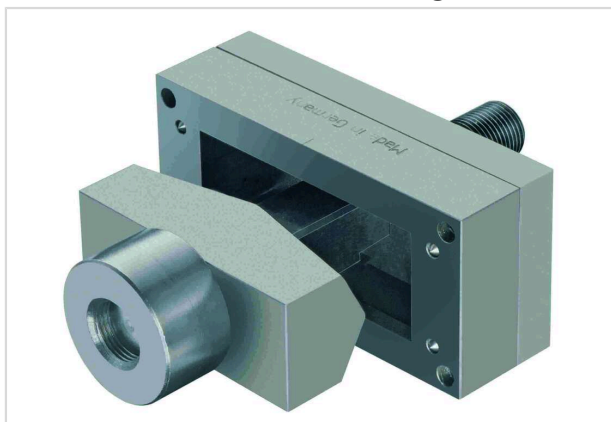


Image is for illustration purposes only. Please refer to product description.

Part number	09 99 000 0918
Specification	Han-Eco 16B Punching unit f. rear assy.
HARTING eCatalogue	<a href="https://b2b.harting.com/09990000918">https://b2b.harting.com/09990000918</a>

### Identification

Category	Tools
Series of hoods/housings	Han <sup>®</sup> B Rear mounting
	Han <sup>®</sup> M Rear mounting
	Han <sup>®</sup> EMC Rear mounting
	Han <sup>®</sup> HPR Rear mounting
	Han-Eco <sup>®</sup> B
Type of tool	Punching units
Description of the tool	for hydraulic punch drivers

### Version

Size	16 B
Plate thickness	≤2 mm structural grade carbon steel

### Commercial data

Packaging size	1
Net weight	0.1 g
Country of origin	Germany
European customs tariff number	82073010
GTIN	5713140278738
eCl@ss	21049090 Hand tool (other, unspecified)

# Mouser Electronics

Authorized Distributor

Click to View Pricing, Inventory, Delivery & Lifecycle Information:

[HARTING:](#)

[09990000918](#) [9990000918](#)