

HPP V4 USB 2.0 PCB, 2x USB B-B straight

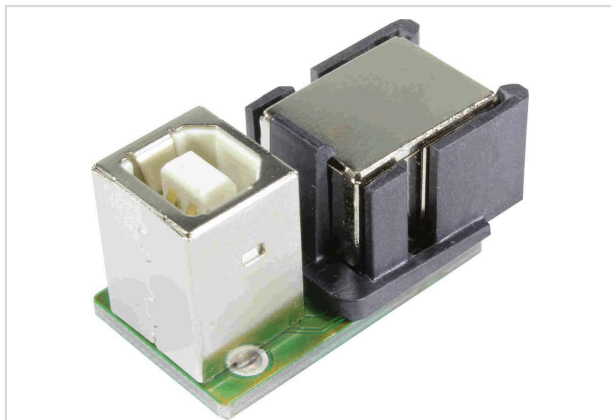


Image is for illustration purposes only. Please refer to product description.

Part number	09 45 541 1907
Specification	HPP V4 USB 2.0 PCB, 2x USB B-B straight
HARTING eCatalogue	https://b2b.harting.com/09455411907

Identification

Category	Connectors
Series	HARTING PushPull (V4)
Identification	USB
Element	Adapter PCB
Specification	USB 2.0 type B to USB 2.0 type B
Adapter for	Jack to jack

Version

Shielding	Fully shielded, 360° shielding contact
Number of contacts	4

Technical characteristics

Limiting temperature	-40 ... +70 °C
Mating cycles	≥750

Material properties

RoHS	compliant
ELV status	compliant
China RoHS	e
REACH Annex XVII substances	Not contained
REACH ANNEX XIV substances	Not contained
REACH SVHC substances	Not contained
California Proposition 65 substances	Yes

Material properties

California Proposition 65 substances	Antimony trioxide
	Lead
	Naphthalene

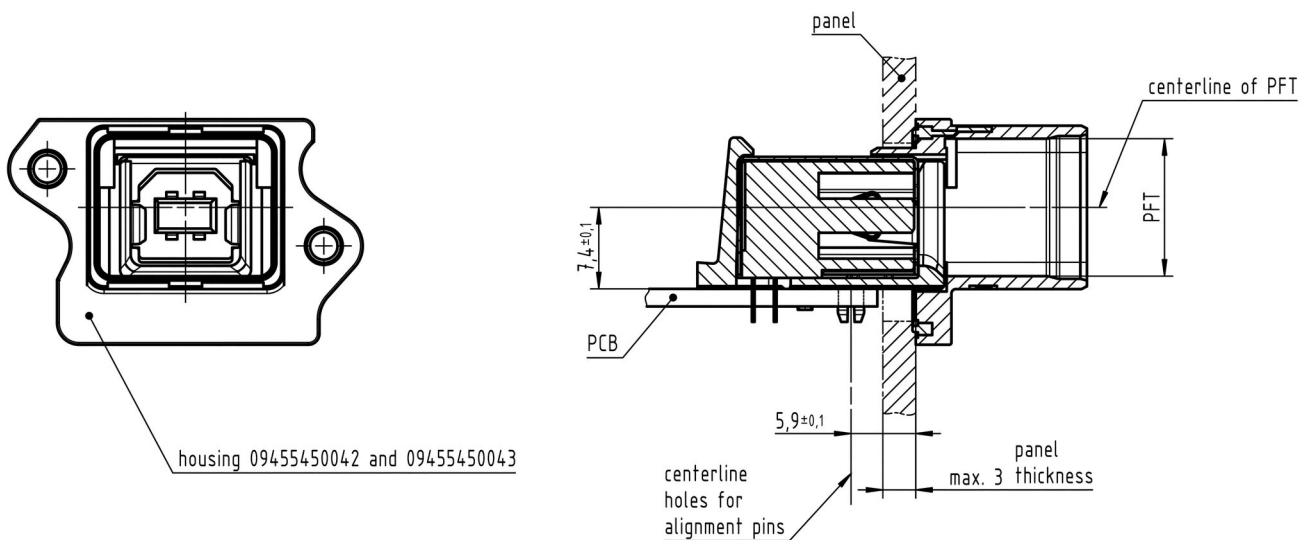
Specifications and approvals

Specifications	IEC 61076-3-106 Variant 4 (V4)
Approvals	DNV GL

Commercial data

Packaging size	1
Net weight	12.33 g
Country of origin	Germany
European customs tariff number	85366990
GTIN	5713140061040
ETIM	EC000438
eCl@ss	27440205 Contact insert for industrial connectors

Mounting instruction



Mouser Electronics

Authorized Distributor

Click to View Pricing, Inventory, Delivery & Lifecycle Information:

[HARTING:](#)

[09455411907](#) [9455411907](#)