

Han 48HPR frame for 4X650A female

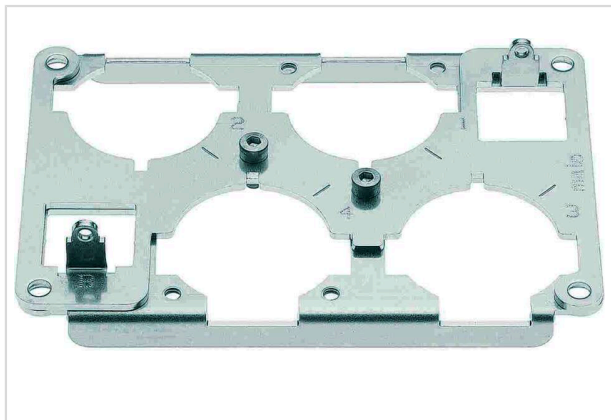


Image is for illustration purposes only. Please refer to product description.

Part number	09 40 048 9911
Specification	Han 48HPR frame for 4X650A female
HARTING eCatalogue	https://b2b.harting.com/09400489911

Identification

Category	Accessories
Series of hoods/housings	Han [®] HPR
Type of accessory	Frame
Description of the accessory	for female inserts 4x HC 650 contacts + 2x Han [®] Q 5/0

Version

Gender	Female
Size	48 B

Material properties

Material (accessories)	Metal
RoHS	compliant
ELV status	compliant
China RoHS	e
REACH Annex XVII substances	Not contained
REACH ANNEX XIV substances	Not contained
REACH SVHC substances	Not contained
California Proposition 65 substances	Yes
California Proposition 65 substances	Nickel

Commercial data

Packaging size	1
----------------	---



Pushing Performance
Since 1945

Commercial data

Net weight	191.34 g
Country of origin	Germany
European customs tariff number	85389099
GTIN	5713140058477
ETIM	EC002310
eCl@ss	27440210 Fixing element for industrial connectors

Mouser Electronics

Authorized Distributor

Click to View Pricing, Inventory, Delivery & Lifecycle Information:

[HARTING:](#)

[09400489911](#)