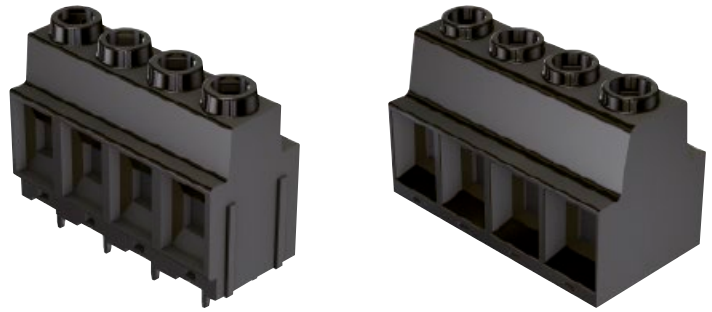


PCB terminal blocks,
horizontal with screw termination
10 mm² / 25 mm²
for reflow soldering
pitch 10.16 / 15.00 mm



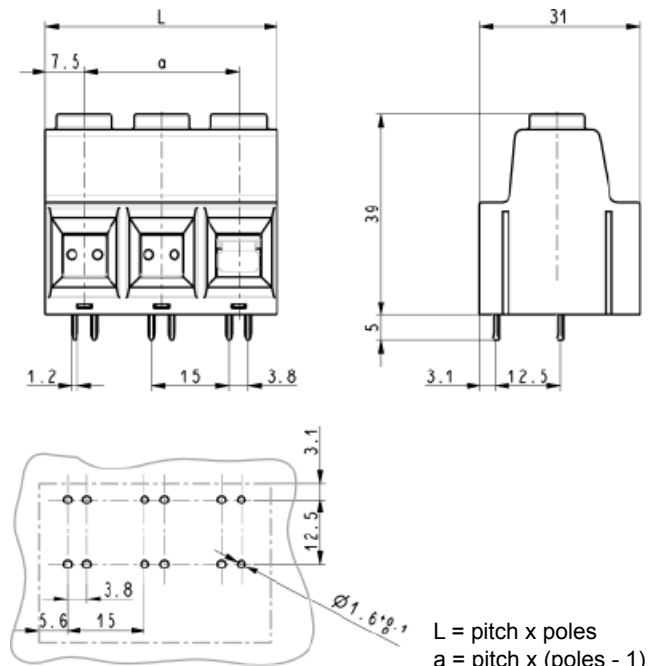
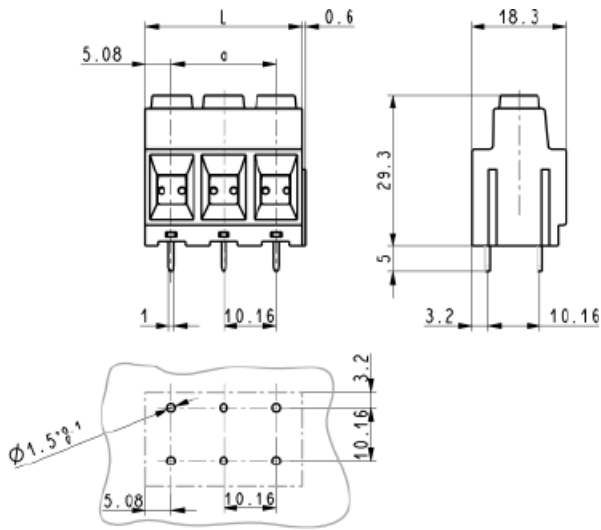
Drawing

Dimensions in mm

Dimensions

Pitch 10.16 mm

Pitch 15.00 mm



L = pitch x poles
a = pitch x (poles - 1)

L = pitch x poles
a = pitch x (poles - 1)

Technical characteristics

Technical data

Rated current 60 / 135 A
Pitch 10.16 / 15.00 mm

Surge voltage category /
pollution degree

III/3	III/2	II/2
1 kV	1 kV	1 kV
8 kV	8 kV	8 kV

Rated voltage

Rated surge voltage

Material data

Group of insulation material I
Type of insulation material PA / PPA
Flammability rating per UL 94 V0
Operating temperature -40 °C ... +110 °C
Contact material copper alloy
Contact plating tin plated
UL approval (E 102079)



Conductor and solder pin data

Connection technology wire
Conductor size
solid / stranded
stranded with ferrules without / with plastic sleeve
Conductor size AWG
Screw thread
Tightening torque
Stripping length
Solder pin: drilled hole diameter

Pitch 10.16 mm
screw termination

0.5 - 16 / 0.5 - 10 mm²
0.5 - 6 / 0.5 - 6 mm²

20 - 6
M4
1.2 - 1.5 Nm
11 mm
min. 1.5 mm

Pitch 15.00 mm
screw termination

0.5 - 35 / 0.5 - 25 mm²
0.5 - 16 / 0.5 - 16 mm²

20 - 1
M5
2.1 - 2.5 Nm
18 mm
min. 1.6 mm

Mouser Electronics

Authorized Distributor

Click to View Pricing, Inventory, Delivery & Lifecycle Information:

[HARTING:](#)

[09990000519](#)