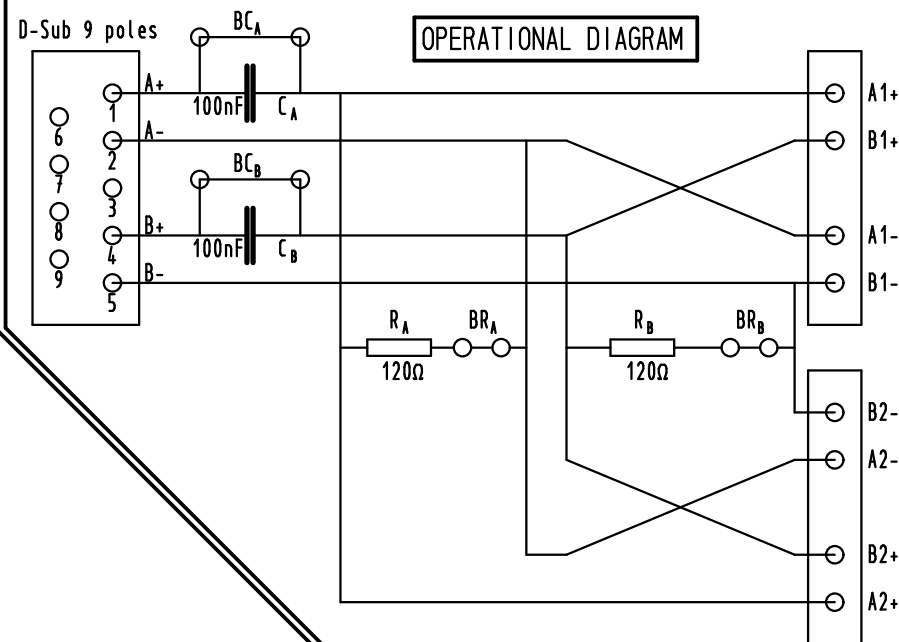
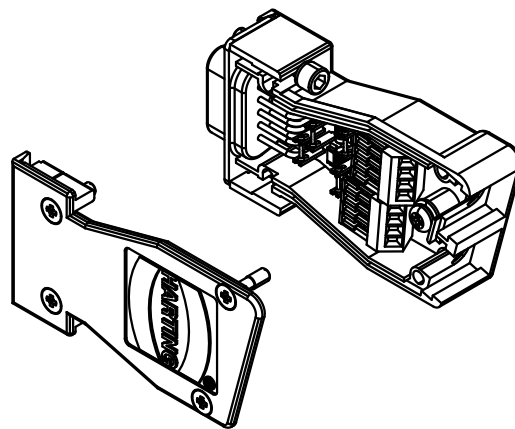
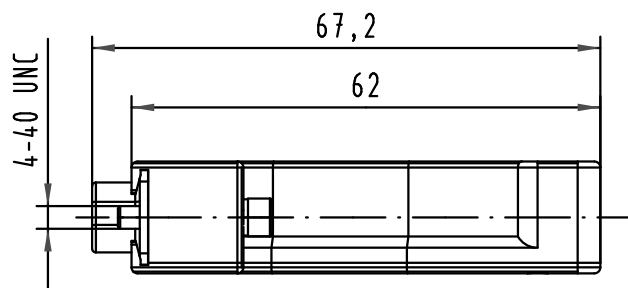
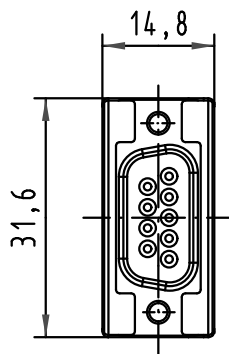
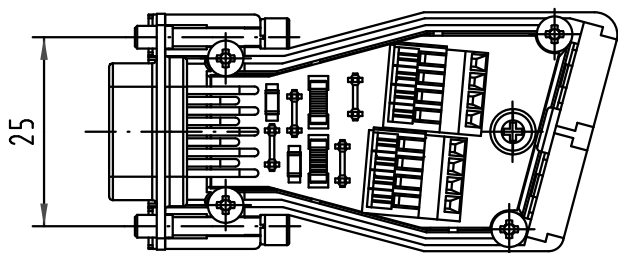


Darstellung ohne Deckel  
view without cover



im Set enthalten :  
in set inclusive :

Anzahl number	Bezeichnung description
2	Crimpfansch 6,0-7,0 crimp flange 6,0-7,0
2	Crimphülse 9,5-10,5 crimp ferrule 9,5-10,5
1	Blindstopfen 9-37 blanking piece 9-37
1	Etikett Reihe A label line A
1	Etikett Reihe B label line B

All Dimensions in mm Original Size DIN A 4	Techn. Character.			Nicht tolerierte Maßel Free size tolerances	
		Dat.	Name	Maßstab/Scale  1:1	InduCom 9 Female - MVB/WTB 4-40 UNC With crimp flanges 6,0-7,0 and ferrules 9,5-10,5
	Detail.	21/09/10	SC		
	Insp.				
	Stand.				
	HARTING EURL F-95972 Paris				TB 66 63 009 6028 Sub.
36093	21/09/10	SC			
Mod.	Dat.	Name			Blatt/ page 1 / 1

66 63 009 6028	PL2
Part number	Performance level

# Mouser Electronics

Authorized Distributor

Click to View Pricing, Inventory, Delivery & Lifecycle Information:

[HARTING:](#)

[66630096028](#)