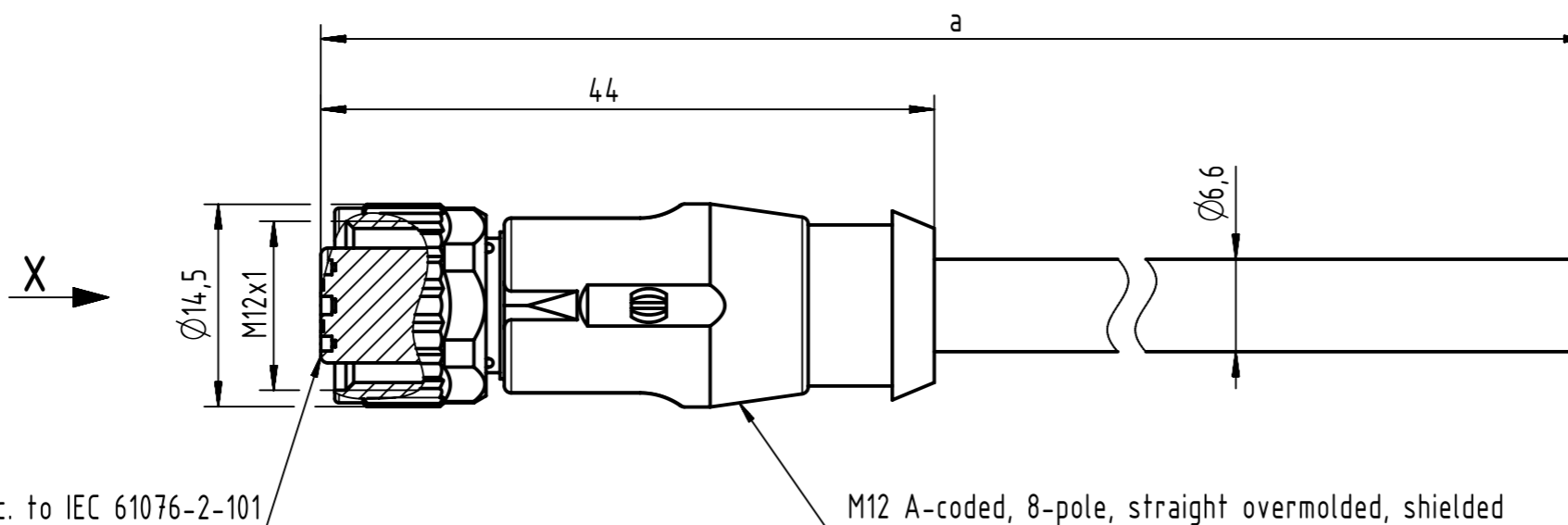


Connector Location A

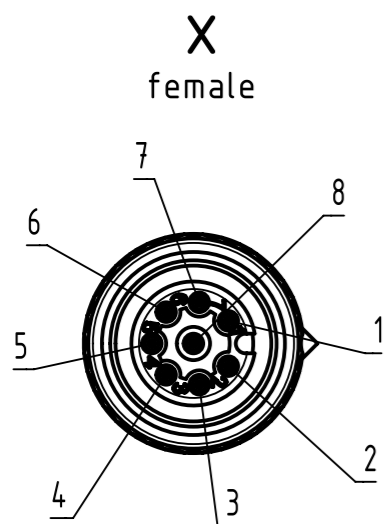
Connector Location B



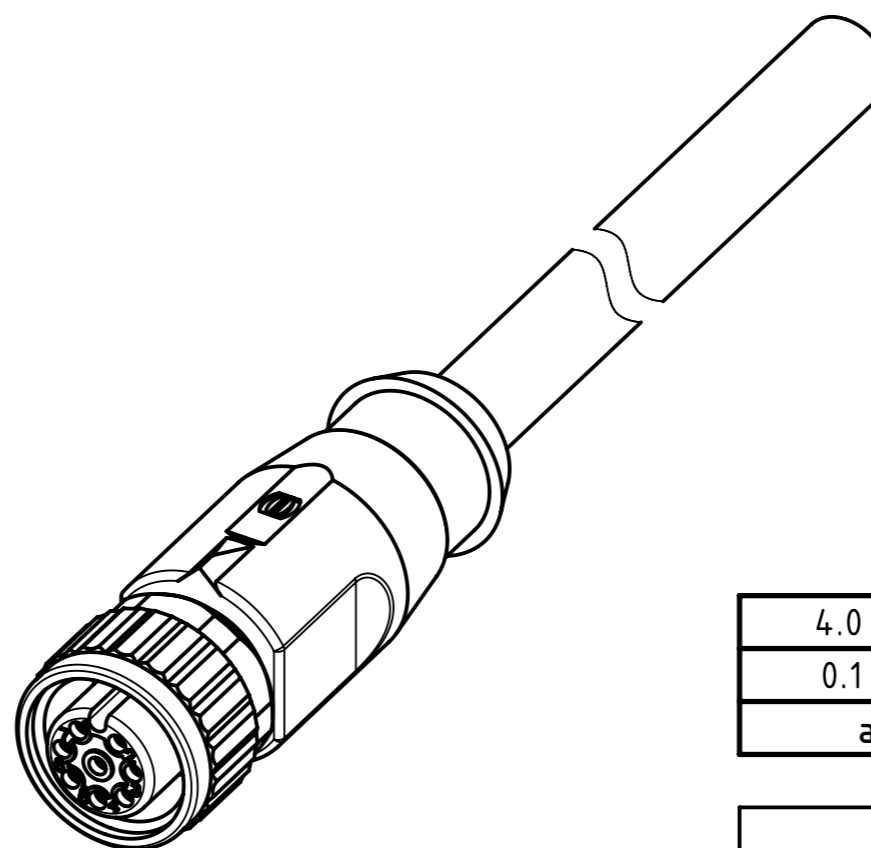
Mating face acc. to IEC 61076-2-101

M12 A-coded, 8-pole, straight overmolded, shielded

Loading-Plan



Shield
1 White
2 Brown
3 Green
4 Yellow
5 Grey
6 Pink
7 Blue
8 Red



length in "1m" step	100	XXX=000
	99	XXX=990
	.	.
	12	XXX=120
	11	XXX=110
length in "0.1m" step	10	XXX=100
	9.9	XXX=099
	9.8	XXX=098
	.	.
	0.4	XXX=004
	0.3	XXX=003
	0.2	XXX=002
	0.1	XXX=001
Step	a [m]	XXX

4.0 to 100	±1%
0.1 to 3.9	+0.04
a [m]	Tolerance

8x0.25mm ² , PUR, black	21347500838XXX
Type of cable	Part no.

- Protection level: IP67
 - Temperature range: -25°C ... +80°C

All Dimensions in mm		Tech. Character.		Free size tol.		According to production drawing	
All rights reserved		Created by COSTEA Costea	Inspected by STOCHECIC Stocheci	Standardisation MUNTEANV Muntean	Date 2019-01-14	State Final Release	
Department HCS - RO		Title M12 Cable Assembly A-cod st/- f/-				Doc-Key / ECM-Nr. 100774716/UGD/000/C 500000144866	
HARTING Customised Solutions D-32339 Espelkamp		Type TB	Number 21347500838XXX		Rev. C	Page 1/1	

Mouser Electronics

Authorized Distributor

Click to View Pricing, Inventory, Delivery & Lifecycle Information:

[HARTING:](#)

[21347500838050](#)