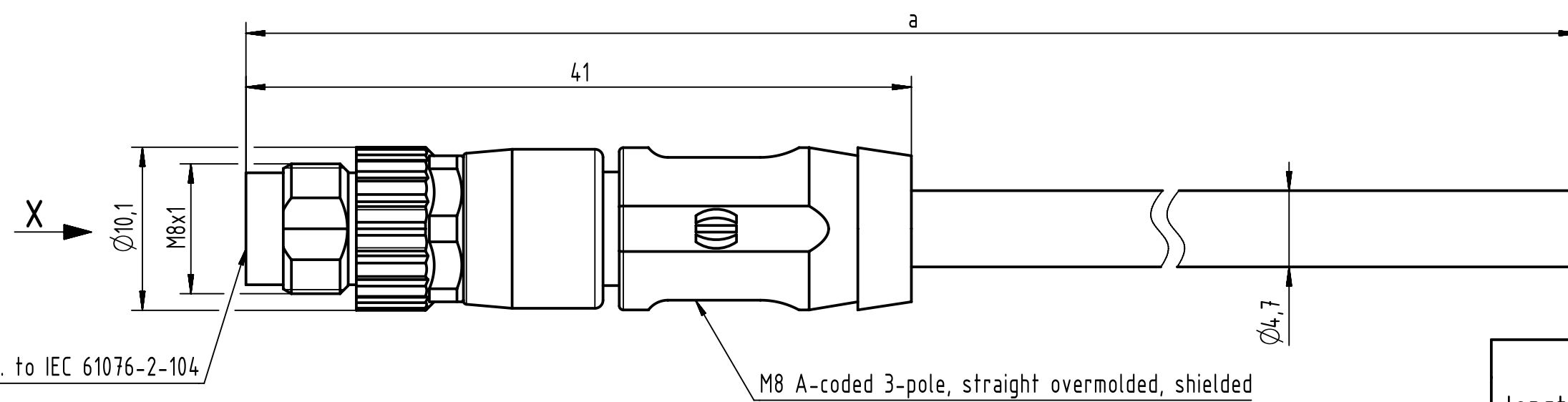


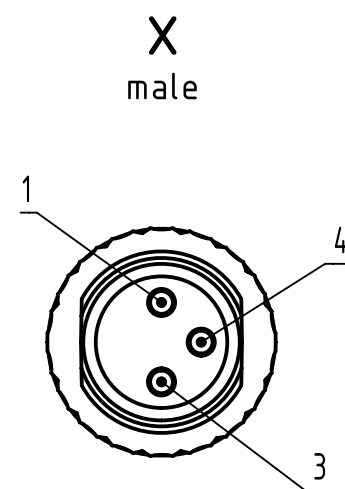
Connector Location A

Connector Location B



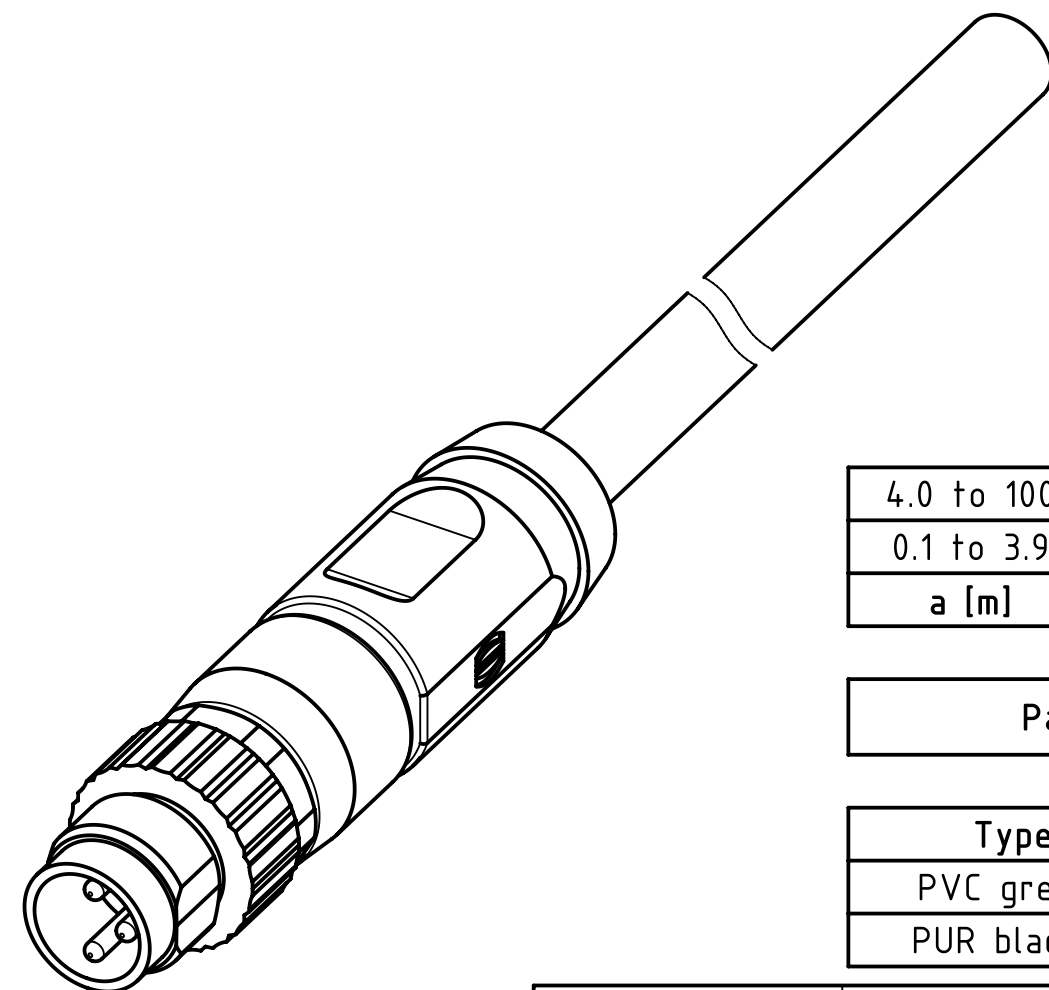
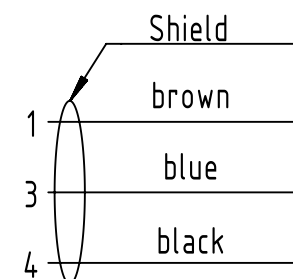
Mating face acc. to IEC 61076-2-104

M8 A-coded 3-pole, straight overmolded, shielded



X male

Loading-Plan



length in "1m" step	100	XXX=000
	99	XXX=990
	.	.
	12	XXX=120
	11	XXX=110
length in "0.1m" step	10	XXX=100
	9.9	XXX=099
	9.8	XXX=098
	.	.
	0.4	XXX=004
	0.3	XXX=003
	0.2	XXX=002
	0.1	XXX=001
Step	a [m]	XXX

4.0 to 100	±1%
0.1 to 3.9	+0.04
a [m]	Tolerance

Part no.	213473003XXXXX
----------	----------------

Type of cable	XX
PVC grey, 3x0.25mm <sup>2</sup>	XX=35
PUR black, 3x0.25mm <sup>2</sup>	XX=36

- Protection level: IP67
- Temperature range: -20°C...+80°C with PVC cable
- 30°C...+80°C with PUR cable

	All Dimensions in mm	Tech. Character.	Free size tol.	According to production drawing	
	All rights reserved Department HCS - RO	Created by STOCHECIC Stochechi	Inspected by COSTEA Costea	Standardisation MUNTEANV Muntean	Date 2018-12-17
HARTING Customised Solutions D-32339 Espelkamp		Title M8 A-coded CA 3p st/- m/- shld			State Final Release
Type TB	Number 213473003XXXXX	Doc-Key / ECM-Nr. 100727596/UGD/000/B 500000144934			Rev. B
					Page 1/1

# Mouser Electronics

Authorized Distributor

Click to View Pricing, Inventory, Delivery & Lifecycle Information:

[HARTING:](#)

[21347300335020](#) [21347300335050](#) [21347300335010](#) [21347300336020](#) [21347300336010](#) [21347300336050](#)