

A

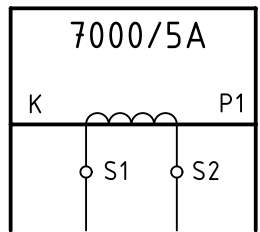
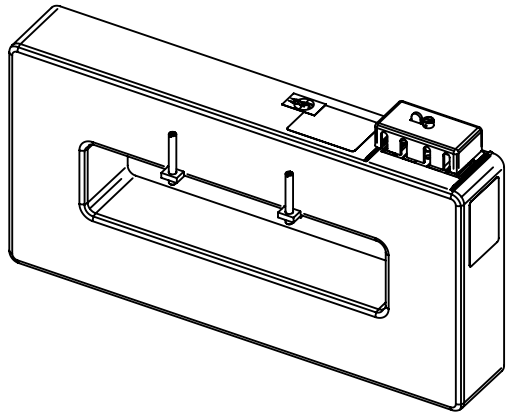
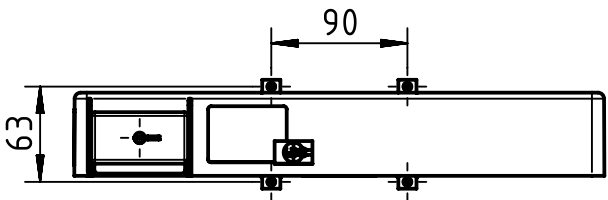
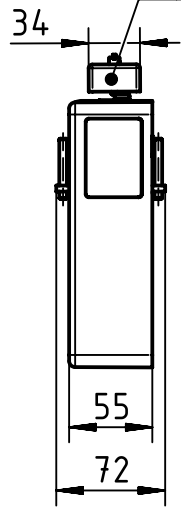
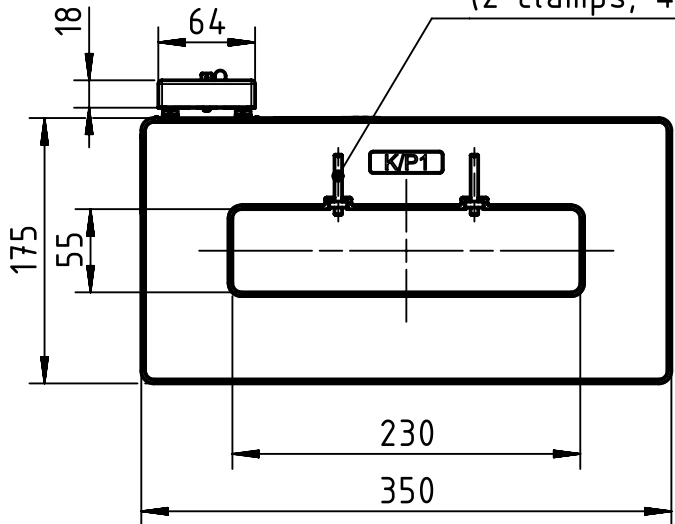
B

C

D

primary busbar clamp
separately enclosed
(2 clamps, 4 screws)

secondary connection cover
including screws
separately enclosed



	All rights reserved Department EL PD - DE HARTING Electric GmbH & Co. KG D-32339 Espelkamp	All Dimensions in mm Original Size DIN A4		Scale 1:1	Free size tol.	Ref. Sub.
		Created by VOLAR	Inspected by MATAU	Standardisation SCHMIDTM	Date 2016-02-24	State Final Release
Title Current transformer 230 x 55mm, 7000/5 A						Rev. A
Type TB				Number 20 32 700 0101		Page 1/1

Mouser Electronics

Authorized Distributor

Click to View Pricing, Inventory, Delivery & Lifecycle Information:

[HARTING:](#)

[20327000101](#)