

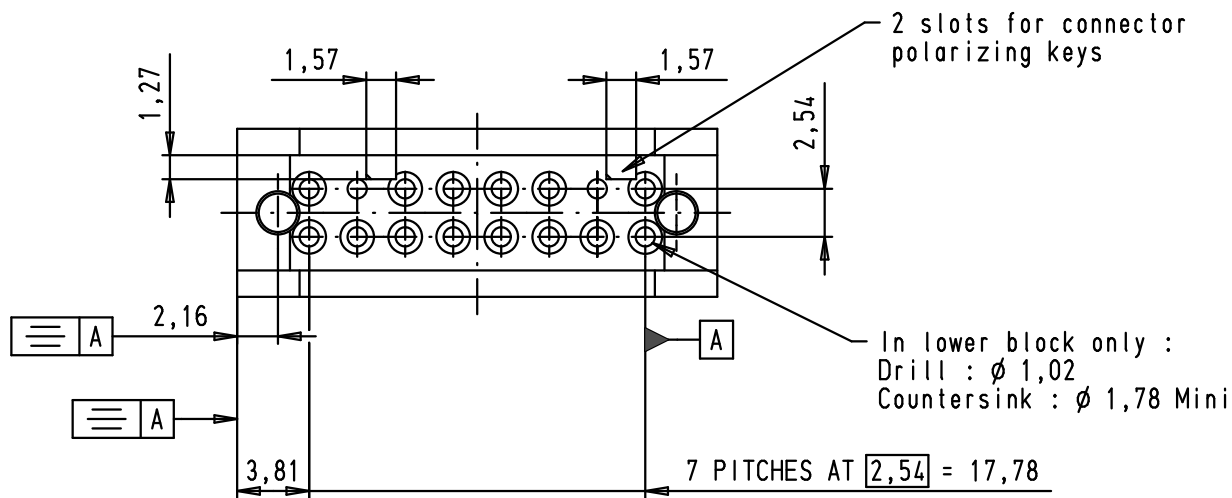
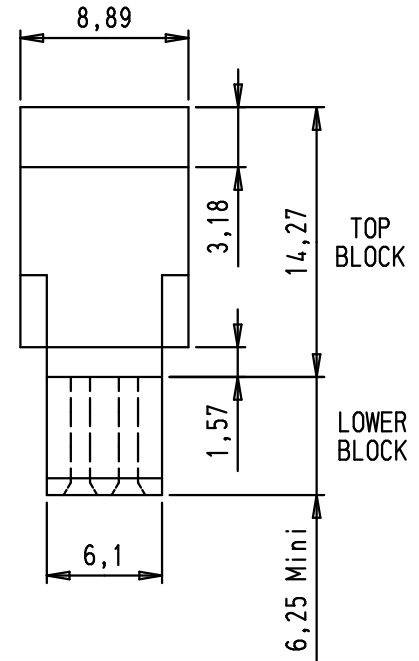
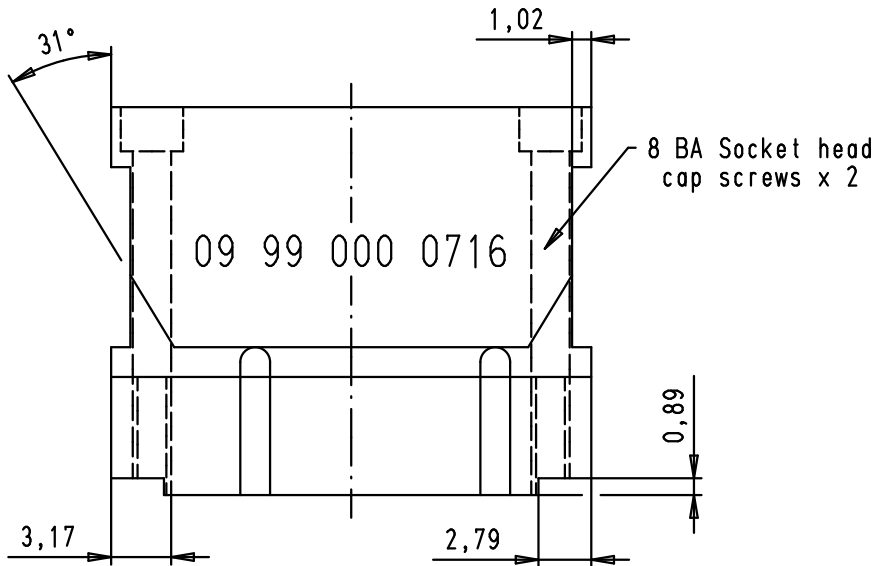
5

4



3

2

1



Material: hardened tool steel
BA = British Association Standard Thread

				Dot.	Name	 All Dim. in mm Orig. Size DIN A 4	16 poles press-in top tool insert for SEK male header standard press-in connector	Maßstab/ Scale 2,5:1
			Detail.	24/10/06	PK			
			Insp.					
			Stand.					
33805	24/10/06	PK	HARTING EURL F-95972 Paris				TB 09 99 000 0716	Blatt/ Page 1 / 1
Mod.	Dot.	Name						

D

C

B

A

Mouser Electronics

Authorized Distributor

Click to View Pricing, Inventory, Delivery & Lifecycle Information:

[HARTING:](#)

[09990000716](#)