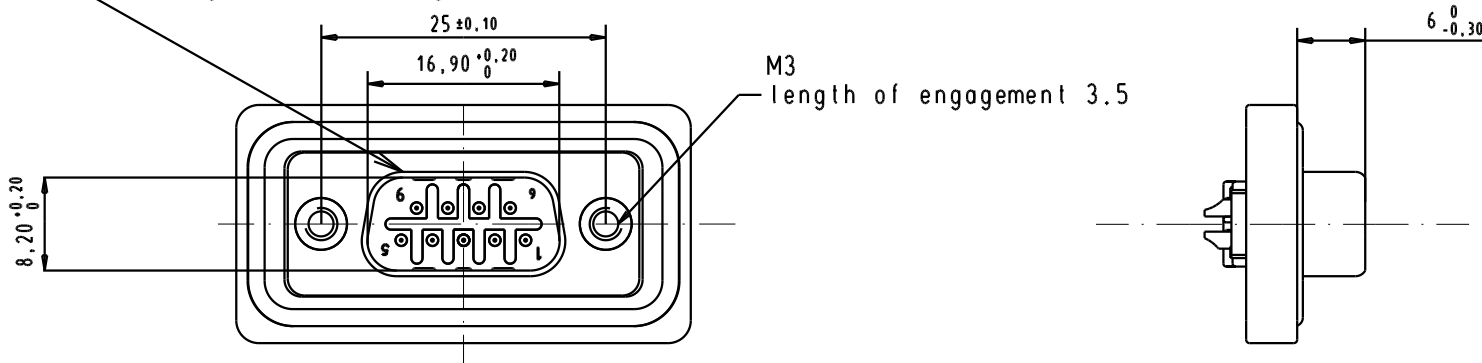
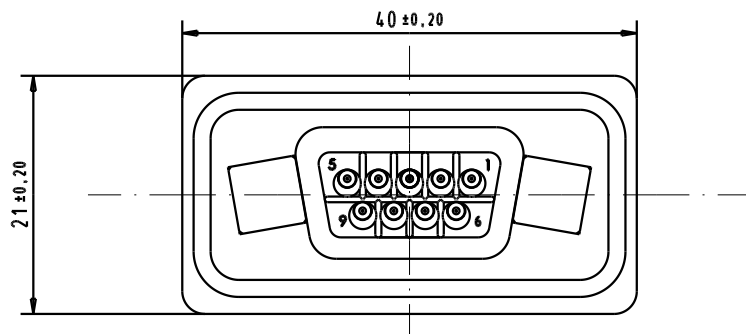
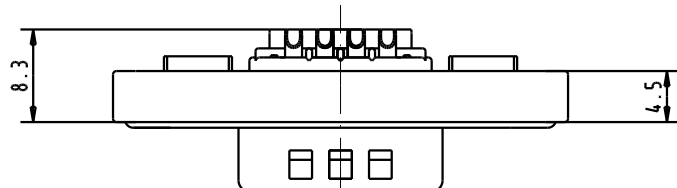


Mating face according to : MIL-C-24308 / DIN 41652 / CECC 75.01-802



- 1) Protection standard IP 67 according to IEC 529 / DIN 40050.
- 2) Cable: AWG 20 max

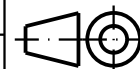


09 67 609 9615

Au plating 0,76 µm mini

Dat.

Name



D-SUB IP67 male 9 Poles
straight solder cup with
M3 nut and
metal rear frame

Maßstab/
Scale

Detail. 10/10/03

S.H.

All Dim. in mm
Orig. Size DIN A 4

Insp.

Stand.

Blatt/ Page

31559

10/10/03

S.H

HARTING ELEKTRONIK
F-95972 Paris



TB 09 67 609 9615

Sub.

Part Number

Performance Level

Mod.

Dat.

Name

Sub.

Mouser Electronics

Authorized Distributor

Click to View Pricing, Inventory, Delivery & Lifecycle Information:

[HARTING:](#)

[09676099615](#)