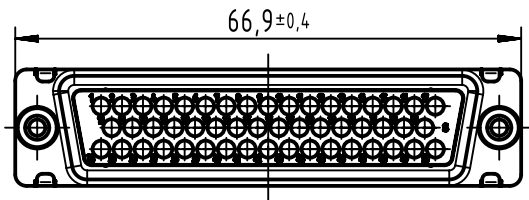
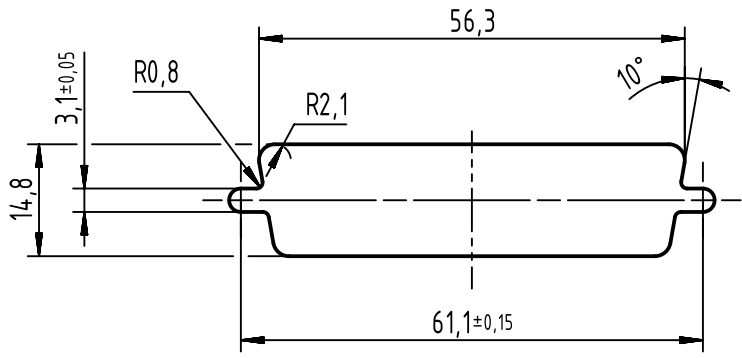


Panel cut out



	All Dimensions in mm Original Size DIN A4		Scale 1:1	Free size tol.		Ref.	
						Sub.	
	All rights reserved		Created by ZHUANGJ	Inspected by LUOK	Standardisation KOHLER	Date 2019-06-04	State Final Release
	Department EL PD		Title D-Sub crimp 50-pole female straight AWG20-24 connector			Doc-Key / ECM-Nr. 100555298/UGD/000/A 500000153034	
HARTING Electronics GmbH D-32339 Espelkamp			Type TB	Number 09670504702		Rev. A	Page 1/1

# Mouser Electronics

Authorized Distributor

Click to View Pricing, Inventory, Delivery & Lifecycle Information:

[HARTING:](#)

[09670504702](#)