

5

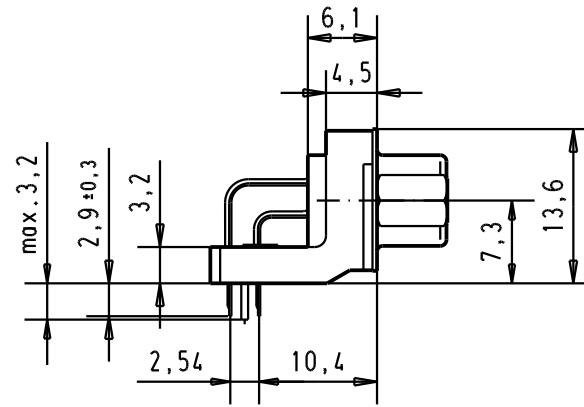
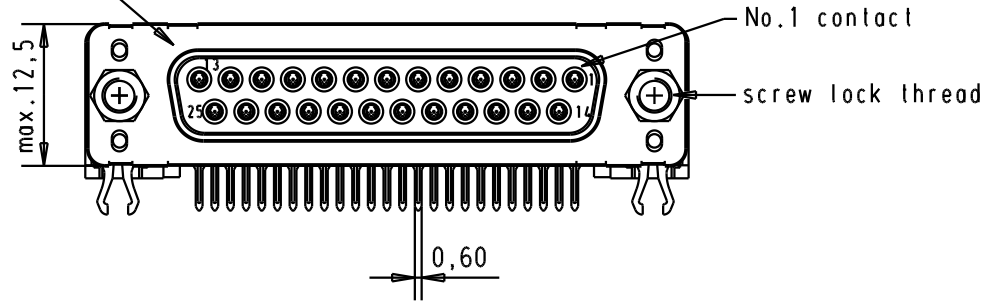
4

3

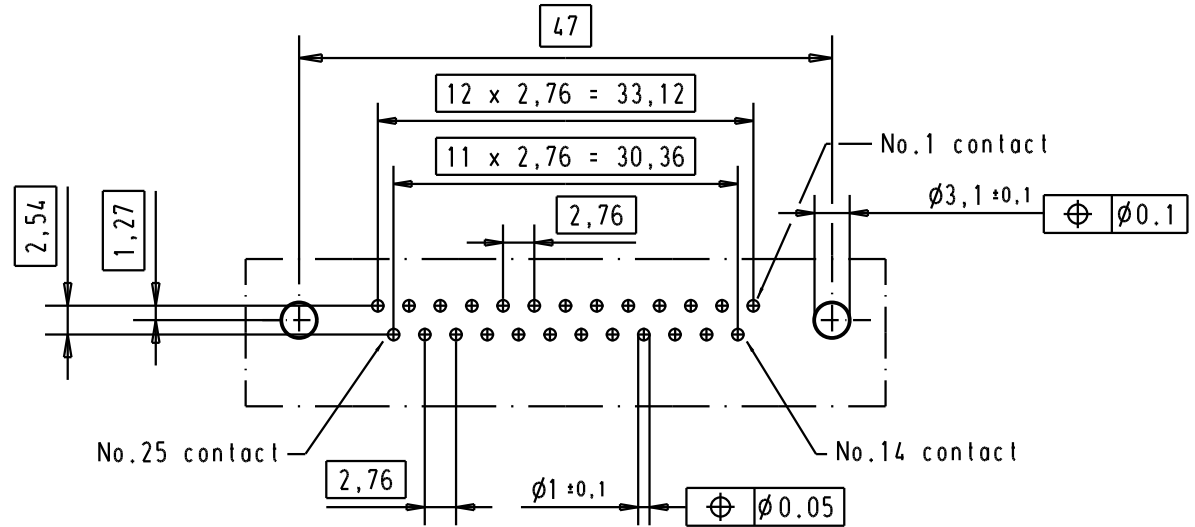
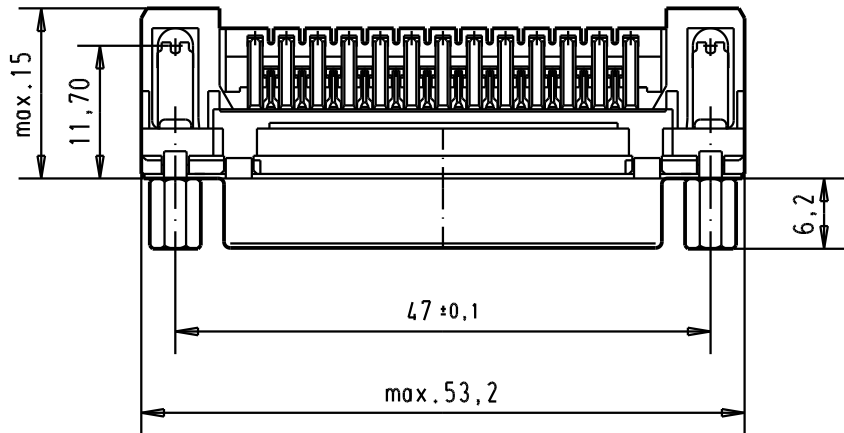
2

1

Mating face according to : MIL-C-24308 / DIN 41652 / CECC 75301-802





Printed board layout component side



Connector retention and insertion forces on the PCB = 25 / 80 newtons

A

09 66 356 3633	M3	1								 All Dim. in mm Orig. Size DIN A 4	D-Sub, High temperature, female, standard, 25 poles with solder pins 2,9mm, screw lock and grounding board lock.	Maßstab/ Scale 1.5:1
09 66 356 6633	M3	2										
09 66 356 7633	M3	3										
09 66 356 3613	4-40 UNC	1										
09 66 356 6613	4-40 UNC	2	31892	05/05/04	JH	HARTING EUROL F-95972 Paris		TB 0966356x6x3	Blatt/ Page 1/			
09 66 356 7613	4-40 UNC	3	31084	04/09/02	YT							
Part number	Screw lock thread	Performance level	Mod.	Dat.	Name			Sub.				

Mouser Electronics

Authorized Distributor

Click to View Pricing, Inventory, Delivery & Lifecycle Information:

[HARTING:](#)

[09663566613](#) [09663567613](#)