

5

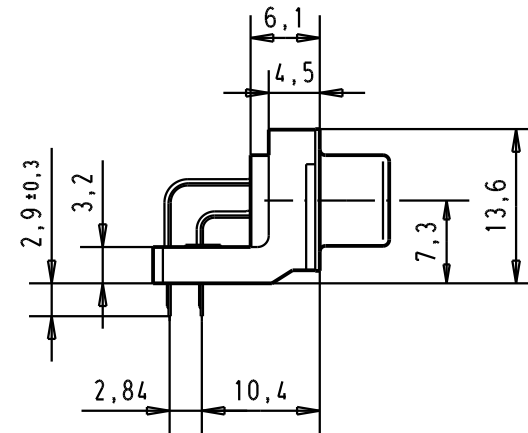
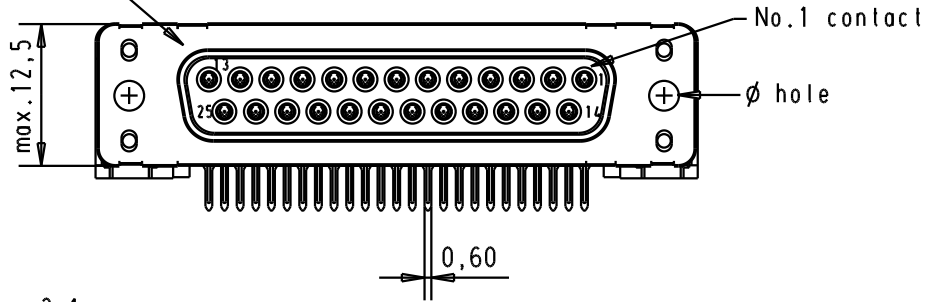
4

3

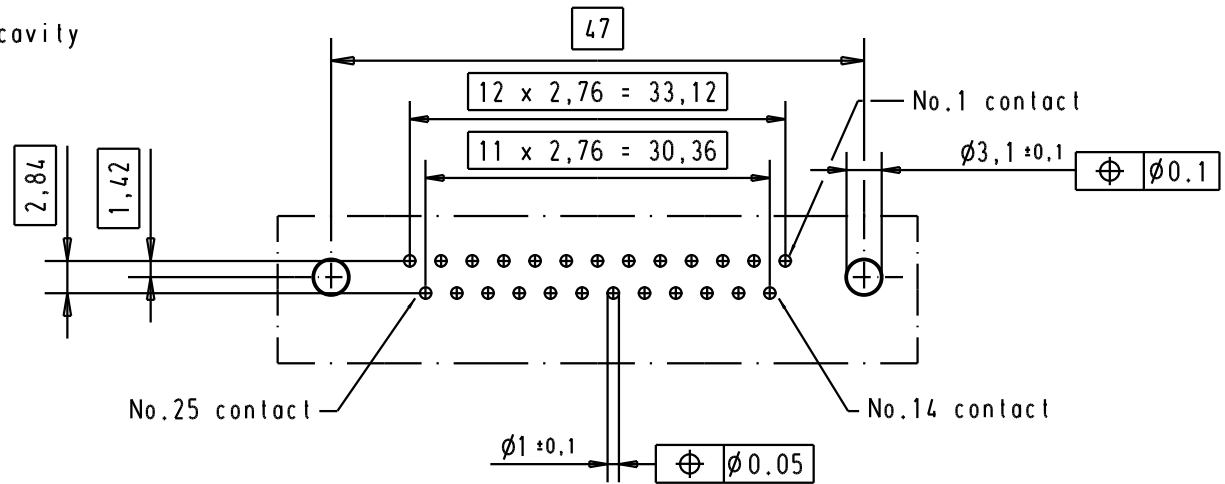
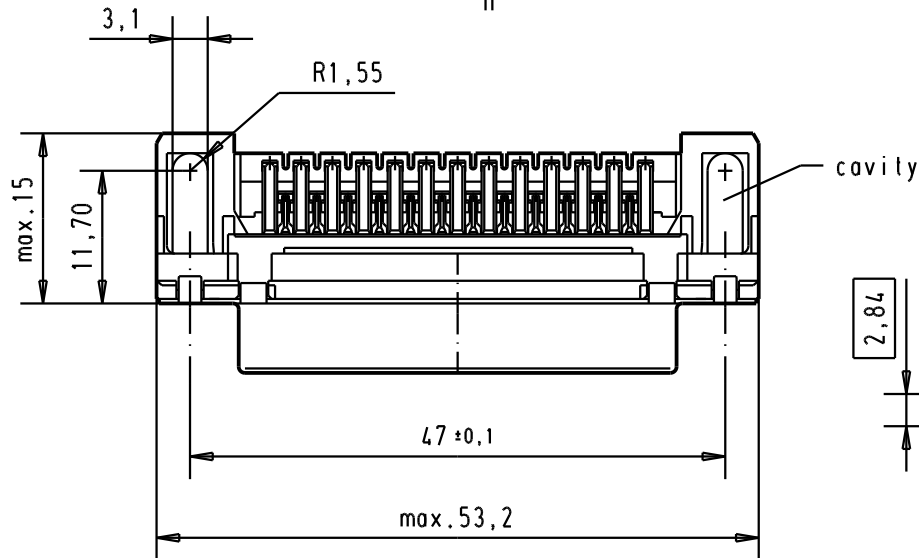
2

1

Mating face according to : MIL-C-24308 / DIN 41652 / CECC 75301-802



Printed board layout component side





D

C

B

A

						Dat.	Name	 All Dim. in mm Orig. Size DIN A 4	D-Sub 25 poles standard angle female, solder pin with hole	Maßstab/ Scale 1.5:1
						Detail.	ALSPACE			
						Insp.				
09 66 313 3600	3.1 ± 0.1	1	31892	05/05/04	JH	Stand.			TB 0966313x60x	Blatt/ Page 1 /
09 66 313 6600	3.1 ± 0.1	2	29773	18-APR-02	CV	HARTING EURL F-95972 Paris				
09 66 313 7600	3.1 ± 0.1	3	27960	01/dec/00	ALSPACE					
Part number	φ hole	Performance level	Mod.	Dat.	Name			Sub.		

Mouser Electronics

Authorized Distributor

Click to View Pricing, Inventory, Delivery & Lifecycle Information:

[HARTING:](#)

[09663136600](#)