

5

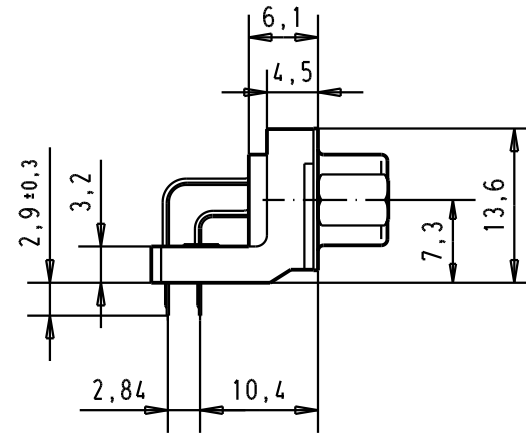
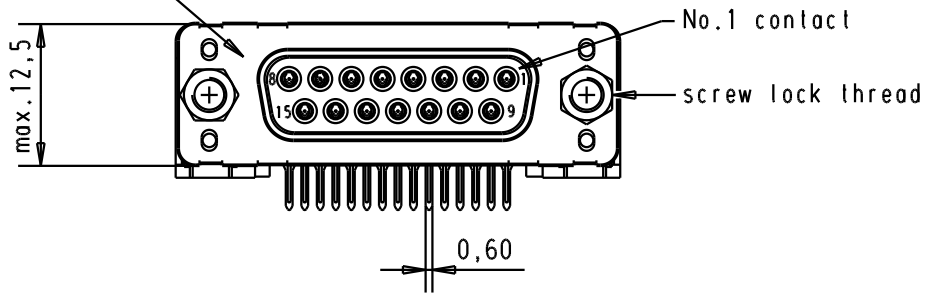
4

3

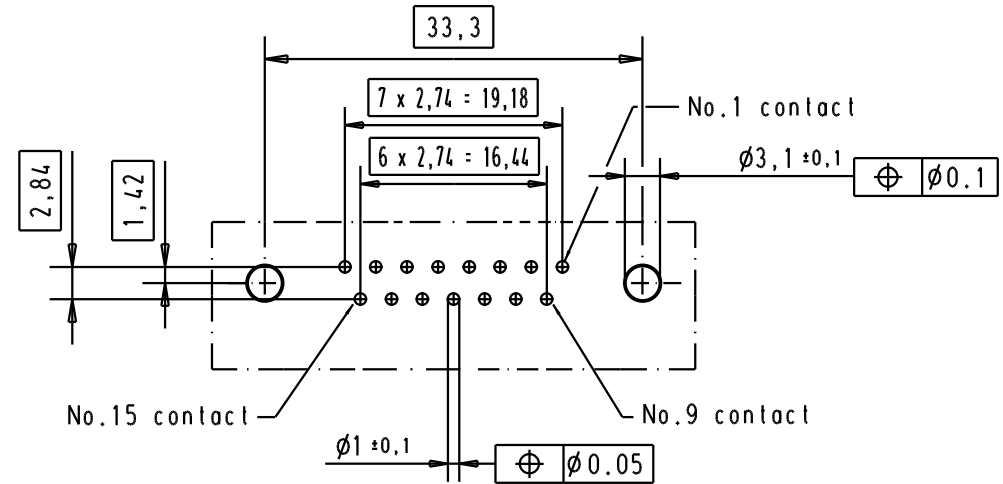
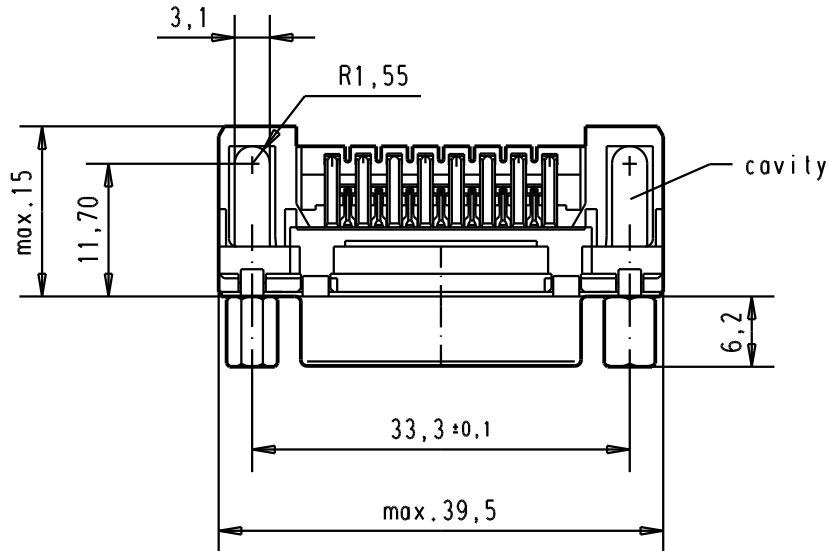
2

1



Mating face according to : MIL-C-24308 / DIN 41652 / CECC 75301-802



Printed board layout component side



A

						Dat.	Name	 All Dim. in mm Orig. Size DIN A 4	D-Sub 15 poles standard angle female, solder pin with screw lock and hole Maßstab/Scale 1.5:1
						Detail.	ALSPACE		
						Insp.			
09 66 213 3603	4-40 UNC	1	31892	05/05/04	JH	Stand.			TB 0966213x60x Blatt/ Page 3
09 66 213 6603	4-40 UNC	2	29773	18-APR-02	CV	HARTING EUROL F-95972 Paris			
09 66 213 7603	4-40 UNC	3	27960	01/dec/00	ALSPACE	Sub.			
Part number	Screw lock thread	Performance level	Mod.	Dat.	Name				

# Mouser Electronics

Authorized Distributor

Click to View Pricing, Inventory, Delivery & Lifecycle Information:

[HARTING:](#)

[09662137603](#)