

5

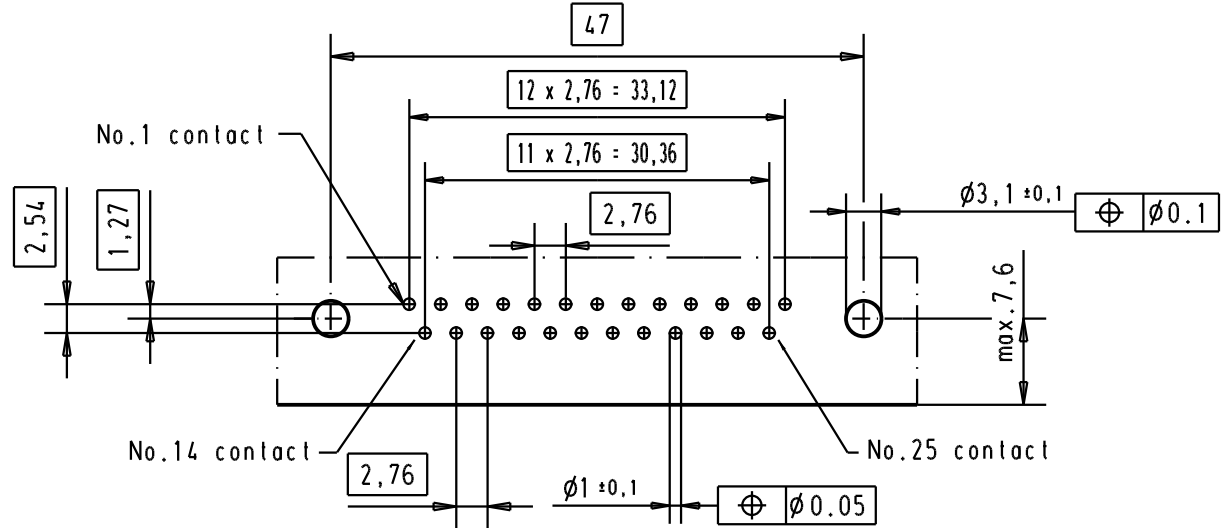
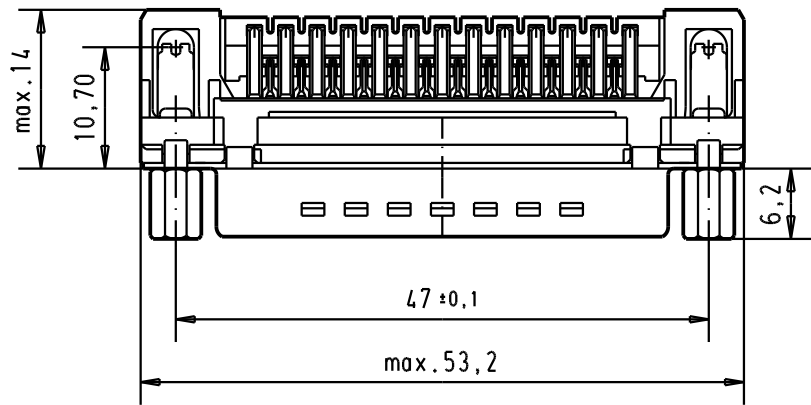
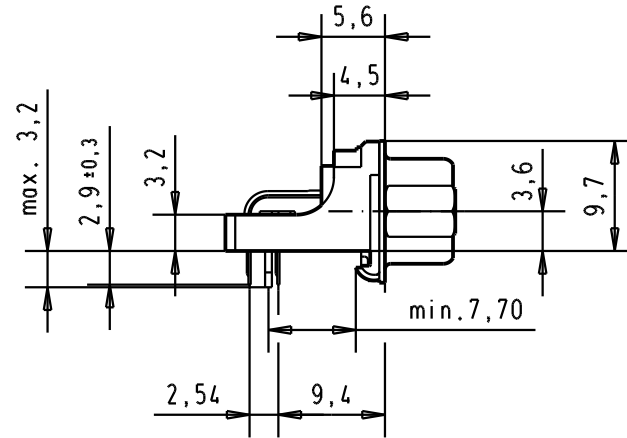
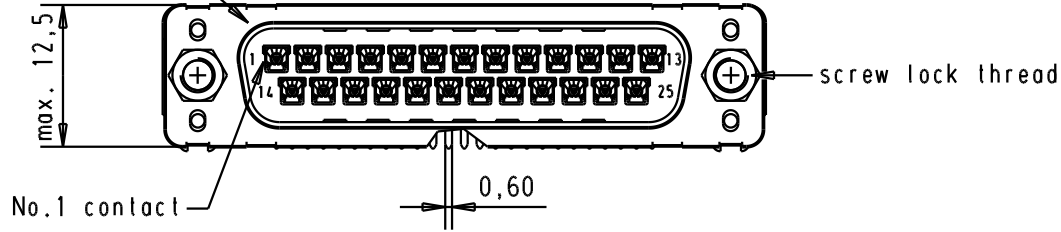
4

3

2



1

Mating face according to : MIL-C-24308 / DIN 41652 / CECC 75301-802



Connector retention and assembling forces on the PCB = 25 / 80 newtons

A

|                |                   |                   |       |          |      | Detail.      |  | Name          |  | <br>All Dim. in mm<br>Orig. Size DIN A 4 | D-Sub, high temperature,<br>male, low profil, 25 poles,<br>with solder pins 2.9, screw lock<br>and grounding board lock. | Maßstab/<br>Scale<br>1.5:1 |
|----------------|-------------------|-------------------|-------|----------|------|--------------|--|---------------|--|---|--|----------------------------|
|                |                   |                   |       |          |      | 05/03/02     |  | CV            |  |   |  |                            |
|                |                   |                   |       |          |      | Insp.        |  |               |  |   |  |                            |
| 09 65 366 3817 | 4-40 UNC          | 1                 | 31892 | 22/04/04 | JH   | Stand.       |  |               |  |    | <b>TB 0965366x81x</b>  | Blatt / Page<br>5 /        |
| 09 65 366 6817 | 4-40 UNC          | 2                 | 31084 | 04/09/02 | YT   | HARTING EURL |  | F-95972 Paris |  |   |  |                            |
| 09 65 366 7817 | 4-40 UNC          | 3                 | 29723 | 05/03/02 | CV   |              |  |               |  |   |  |                            |
| Part number    | Screw lock thread | Performance level | Mod.  | Dat.     | Name |              |  |               |  | Sub.  |  |                            |

# Mouser Electronics

Authorized Distributor

Click to View Pricing, Inventory, Delivery & Lifecycle Information:

[HARTING:](#)

[09653666817](#)