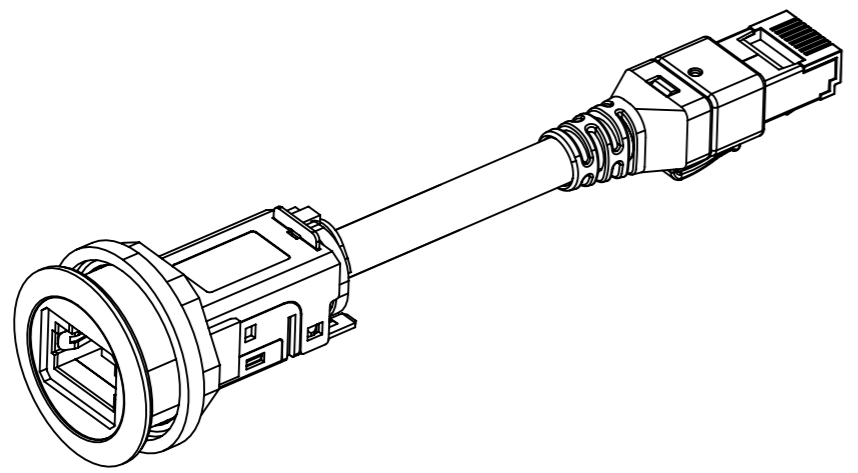
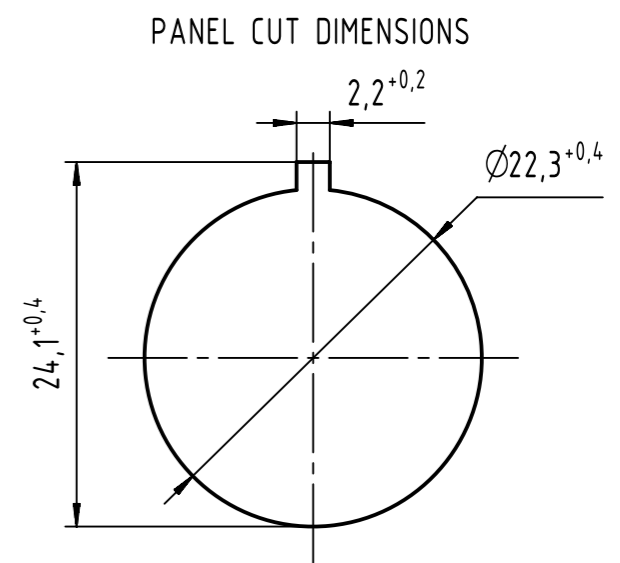
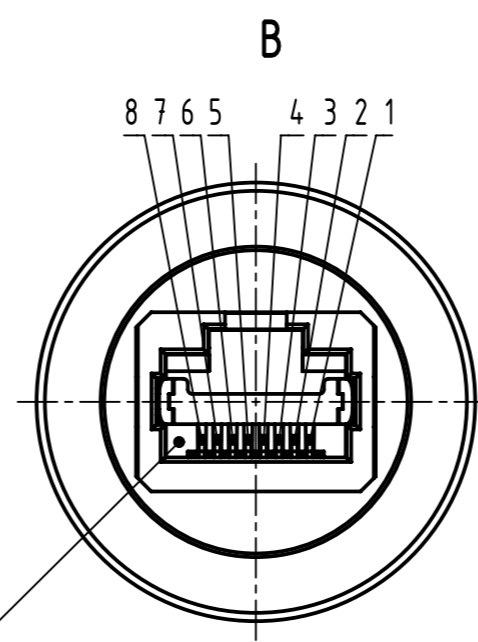
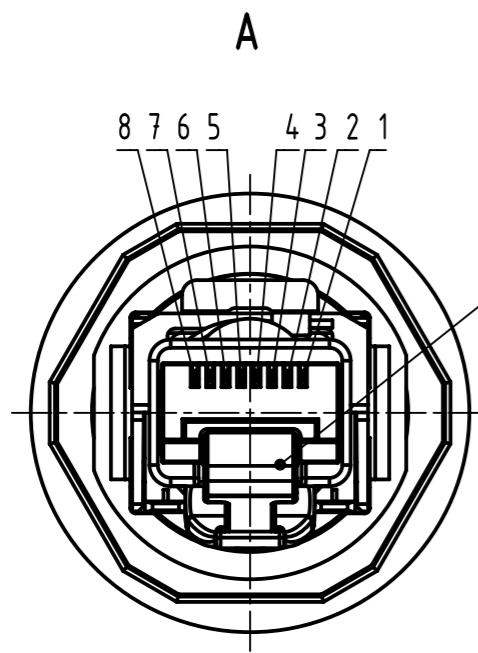
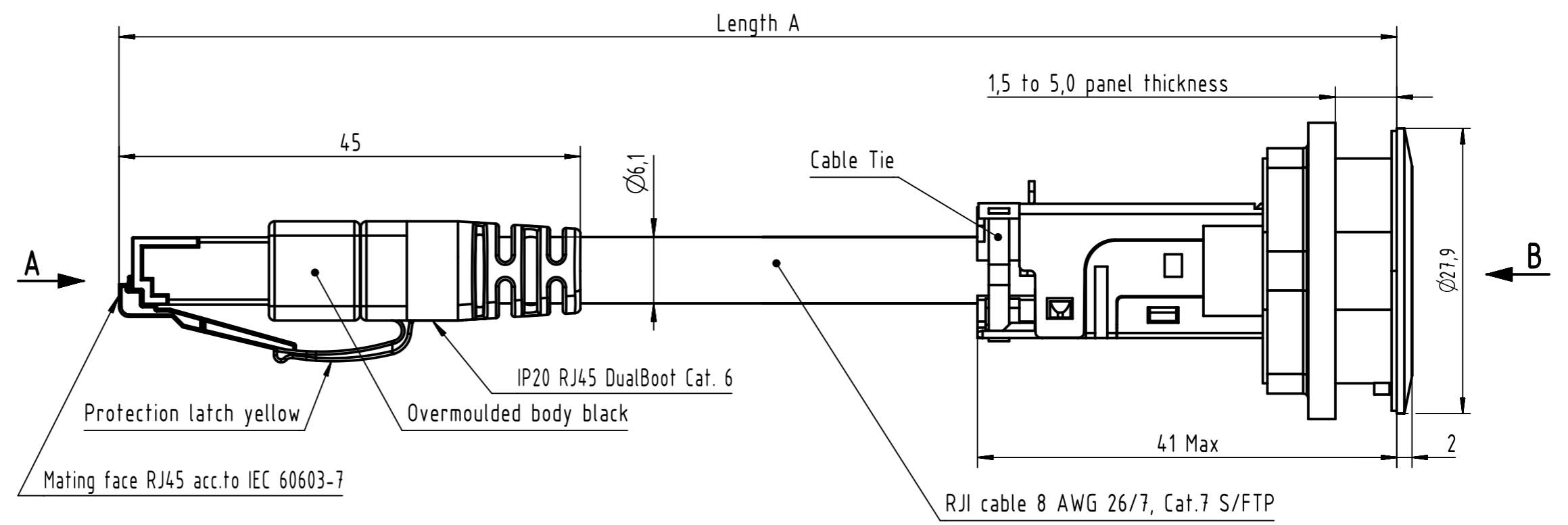
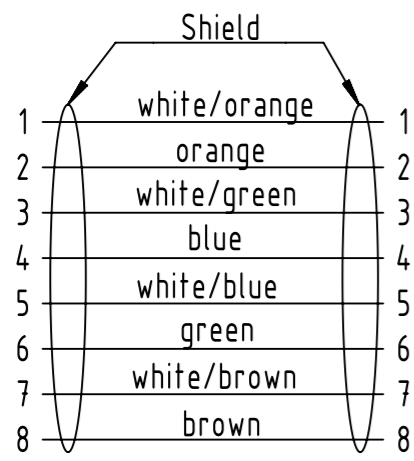



Loading-Plan  
acc. to TIA/EIA 568B



	All rights reserved		Created by PREOTU		Inspected by PREOTU		Standardisation ROEBEN		Date 2023-05-24		State Final Release	
	Department EL PD		Title har-port RJ45 coupler Cat.6 AWG 26/7		Type TB		Number 094545215XX		Doc-Key / ECM-Nr. 10022229/UGD/002/L 50000244789		Rev. L Page 1/2	
All Dimensions in mm Original Size DIN A3		Scale 2:1		Free size tol.		Ref.		Sub.				
HARTING D-32339 Espelkamp												

Line No.	Part number	Type of cable	Length A (m)
1	09 45 452 1500	har-port RJ45 IP20 coupler Cat.6 PFT cable jack silver	0,15 (-0,00/+0,07)
2	09 45 452 1501	har-port RJ45 IP20 coupler Cat.6 PFT cable jack silver	0,20 (-0,00/+0,07)
3	09 45 452 1502	har-port RJ45 IP20 coupler Cat.6 PFT cable jack silver	0,30 (-0,00/+0,07)
4	09 45 452 1503	har-port RJ45 IP20 coupler Cat.6 PFT cable jack silver	0,40 (-0,00/+0,07)
5	09 45 452 1504	har-port RJ45 IP20 coupler Cat.6 PFT cable jack silver	0,50 (-0,00/+0,07)
6	09 45 452 1505	har-port RJ45 IP20 coupler Cat.6 PFT cable jack silver	0,60 (-0,00/+0,07)
7	09 45 452 1506	har-port RJ45 IP20 coupler Cat.6 PFT cable jack silver	0,70 (-0,00/+0,07)
8	09 45 452 1507	har-port RJ45 IP20 coupler Cat.6 PFT cable jack silver	0,80 (-0,00/+0,07)
9	09 45 452 1508	har-port RJ45 IP20 coupler Cat.6 PFT cable jack silver	0,90 (-0,00/+0,07)
10	09 45 452 1509	har-port RJ45 IP20 coupler Cat.6 PFT cable jack silver	1,0 (-0,00/+0,07)
11	09 45 452 1510	har-port RJ45 IP20 coupler Cat.6 PFT cable jack silver	1,5 (-0,00/+0,07)
12	09 45 452 1511	har-port RJ45 IP20 coupler Cat.6 PFT cable jack silver	2,0 (-0,00/+0,07)
13	09 45 452 1512	har-port RJ45 IP20 coupler Cat.6 PFT cable jack silver	2,5 (-0,00/+0,07)
14	09 45 452 1513	har-port RJ45 IP20 coupler Cat.6 PFT cable jack silver	3,0 (-0,00/+0,07)
15	09 45 452 1514	har-port RJ45 IP20 coupler Cat.6 PFT cable jack silver	3,5 (-0,00/+0,07)
16	09 45 452 1515	har-port RJ45 IP20 coupler Cat.6 PFT cable jack silver	4,0 (-0,00/+0,07)
17	09 45 452 1516	har-port RJ45 IP20 coupler Cat.6 PFT cable jack silver	5,0 (-0,00/+0,07)
18	09 45 452 1517	har-port RJ45 IP20 coupler Cat.6 PFT cable jack silver	7,5 (+/-0,08)
19	09 45 452 1518	har-port RJ45 IP20 coupler Cat.6 PFT cable jack silver	10,0(+/-0,1)
20	09 45 452 1519	har-port RJ45 IP20 coupler Cat.6 PFT cable jack silver	4,5 (-0,00/+0,07)
21	09 45 452 1520	har-port RJ45 IP20 coupler Cat.6 PFT cable jack silver	6,0 (+/-0,06)
22	09 45 452 1530	har-port RJ45 IP20 coupler Cat.6 PFT cable jack black	0,15 (-0,00/+0,07)
23	09 45 452 1531	har-port RJ45 IP20 coupler Cat.6 PFT cable jack black	0,20 (-0,00/+0,07)
24	09 45 452 1532	har-port RJ45 IP20 coupler Cat.6 PFT cable jack black	0,30 (-0,00/+0,07)
25	09 45 452 1533	har-port RJ45 IP20 coupler Cat.6 PFT cable jack black	0,40 (-0,00/+0,07)
26	09 45 452 1534	har-port RJ45 IP20 coupler Cat.6 PFT cable jack black	0,50 (-0,00/+0,07)
27	09 45 452 1535	har-port RJ45 IP20 coupler Cat.6 PFT cable jack black	0,60 (-0,00/+0,07)
28	09 45 452 1536	har-port RJ45 IP20 coupler Cat.6 PFT cable jack black	0,70 (-0,00/+0,07)
29	09 45 452 1537	har-port RJ45 IP20 coupler Cat.6 PFT cable jack black	0,80 (-0,00/+0,07)
30	09 45 452 1538	har-port RJ45 IP20 coupler Cat.6 PFT cable jack black	0,90 (-0,00/+0,07)
31	09 45 452 1539	har-port RJ45 IP20 coupler Cat.6 PFT cable jack black	1,0 (-0,00/+0,07)
32	09 45 452 1540	har-port RJ45 IP20 coupler Cat.6 PFT cable jack black	1,5 (-0,00/+0,07)
33	09 45 452 1541	har-port RJ45 IP20 coupler Cat.6 PFT cable jack black	2,0 (-0,00/+0,07)
34	09 45 452 1542	har-port RJ45 IP20 coupler Cat.6 PFT cable jack black	2,5 (-0,00/+0,07)
35	09 45 452 1543	har-port RJ45 IP20 coupler Cat.6 PFT cable jack black	3,0 (-0,00/+0,07)
36	09 45 452 1544	har-port RJ45 IP20 coupler Cat.6 PFT cable jack black	3,5 (-0,00/+0,07)
37	09 45 452 1545	har-port RJ45 IP20 coupler Cat.6 PFT cable jack black	4,0 (-0,00/+0,07)
38	09 45 452 1546	har-port RJ45 IP20 coupler Cat.6 PFT cable jack black	5,0 (-0,00/+0,07)
39	09 45 452 1547	har-port RJ45 IP20 coupler Cat.6 PFT cable jack black	7,5 (+/-0,08)
40	09 45 452 1548	har-port RJ45 IP20 coupler Cat.6 PFT cable jack black	10,0(+/-0,1)

	All Dimensions in mm Original Size DIN A3	Scale 1:1	Free size tol.	Ref.
	All rights reserved Department EL PD	Created by PREOTU	Inspected by PREOTU	Standardisation ROEBEN
HARTING D-32339 Espelkamp		Title har-port RJ45 coupler Cat.6 AWG 26/7		Date 2023-05-24
		Type TB	Number 094545215XX	State Final Release
			Doc-Key / ECM-Nr. 10022229/UGD/002/L 50000244789	Page 2/2
			Rev. L	

# Mouser Electronics

Authorized Distributor

Click to View Pricing, Inventory, Delivery & Lifecycle Information:

[HARTING:](#)

[9454521540](#) [9454521505](#) [9454521531](#) [9454521514](#) [9454521546](#) [9454521512](#) [9454521507](#) [9454521541](#)  
[9454521503](#) [9454521534](#) [9454521543](#) [9454521530](#) [9454521532](#) [9454521538](#) [9454521535](#) [9454521539](#)  
[9454521508](#) [9454521515](#) [9454521517](#)