

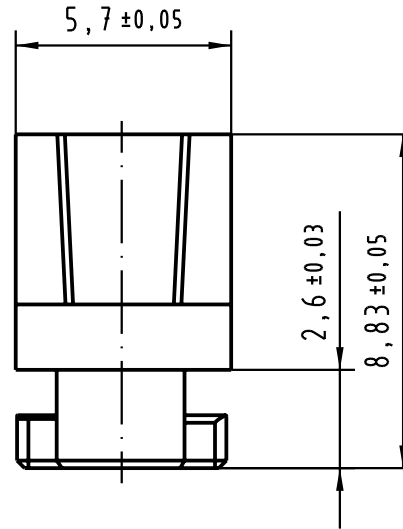
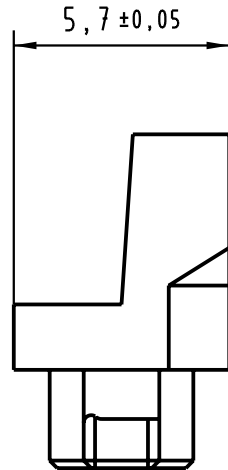
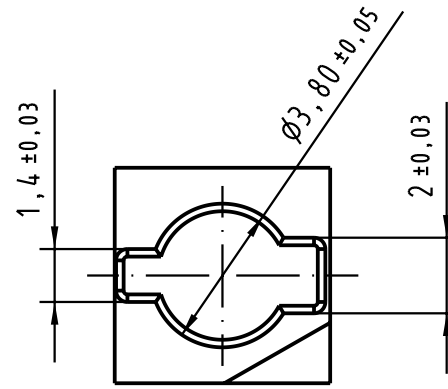
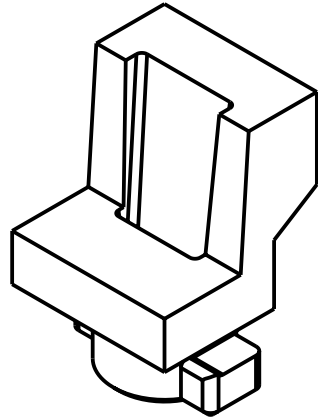
5

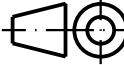

4

3

2

1



| | | | | | | | | |
|---|----------|-------|-----------------------------------|----------|------|---|---|--|
|  All Dimensions in mm Original Size DIN A 4 | | | Techn. Character. | | | Nicht tolerierte Maßel/Free size tolerances | | |
| | | | | Dat. | Name | Maßstab/Scale 5:1 | red coding for F-type female connector | |
| | | | Detail. | 27.07.99 | Ko | | | |
| | | | Insp. | 27.07.99 | Pa | | | |
| | | | Stand. | | | | | |
| 31649 | 15.09.03 | Hage. | HARTING Electronics GmbH & Co. KG | | |  | TB 09 06 001 9960 | |
| 26075 | | | D-32339 ESPELKAMP | | | | | |
| Mod. | Dat. | Name | | | | | Blatt/ page | |
| | | | | | | | Sub. | |

Mouser Electronics

Authorized Distributor

Click to View Pricing, Inventory, Delivery & Lifecycle Information:

[HARTING:](#)

[09060019960](#)