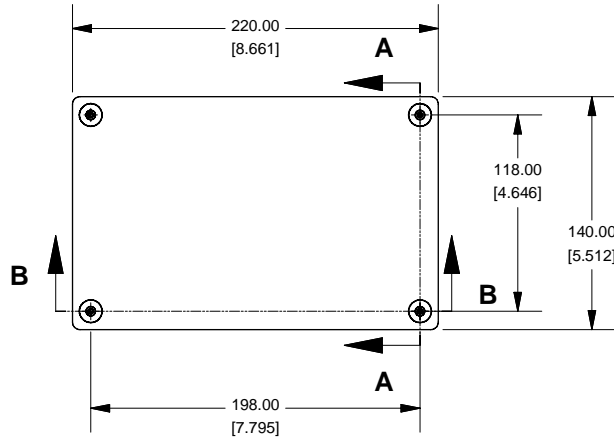


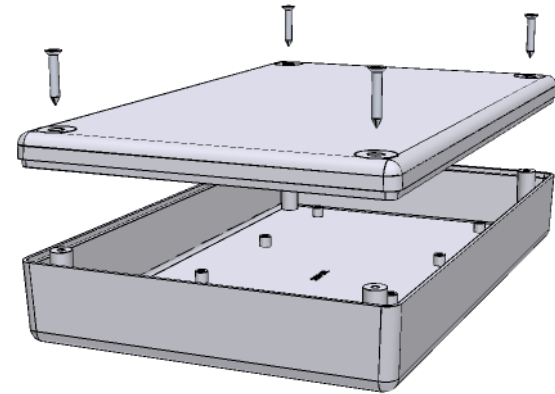
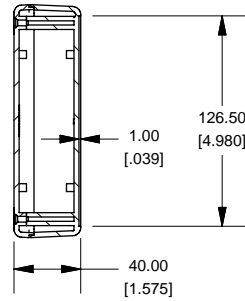
2

1

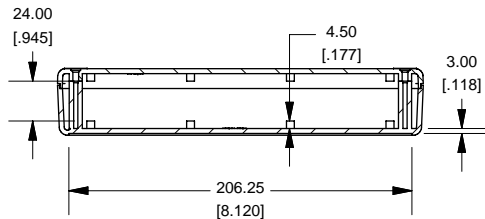
Top View of Assembly



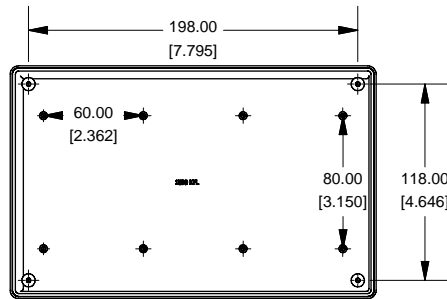
SECTION A-A End View of Assembly



SECTION B-B Side View of Assembly



Top View Looking Inside Box

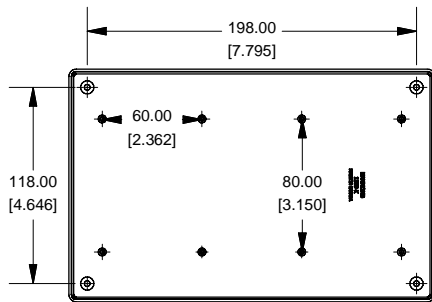


Enclosures can be Factory Modified (Milling, Drilling, Printing etc.)
 Contact Factory mjm@hammondmfg.com for quotes
 Solid models of this enclosure available in STEP or IGES.

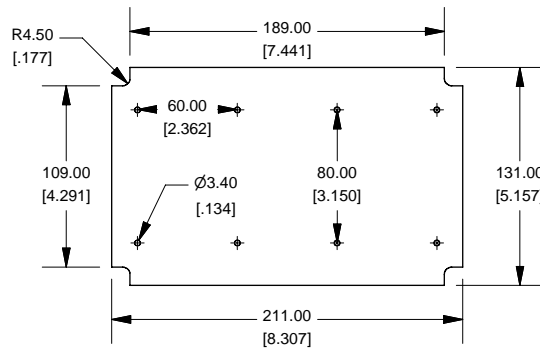
| NOTE | |
|---|--|
| Purchased assembly includes box, lid and 4 cover screws. Flame retardant ABS carries UL flammability rating of 94 V-0 | |

| PART NUMBERS | |
|---|-------------------------|
| 1599K Fire Retardant ABS | |
| Black FR-ABS | 1599KBK |
| Grey FR-ABS | 1599KGY |
| 1599K High Impact Polystyrene | |
| Black GP-ABS | 1599KSBK |
| Grey GP-ABS | 1599KSGY |
| ACCESSORIES | |
| Cover Screws for FR-ABS (Pkg 100) | 1591MS100 |
| [M3 - 0.5 x 20mm Nickel Plated Machine Screws] | |
| Cover Screws for GP-ABS (Pkg 100) | 1598TS100 |
| [#4 x 3/4" Stainless Steel Self Tapping Screws] | |
| P.C Board Mounting Screws (Pkg of 50 or 100) | 1593ATS50 1593ATS100 |
| [#4 x 1/4" Self Tapping Screws] | |

Lid



Maximum P.C. Board Size



**HAMMOND
MANUFACTURING™**

1599K

www.hammondmfg.com

2

1

Mouser Electronics

Authorized Distributor

Click to View Pricing, Inventory, Delivery & Lifecycle Information:

[Hammond:](#)

[1599RFIKBK](#) [1599KGY](#) [1599KBK](#) [1599KSGY](#) [1599KSBK](#)