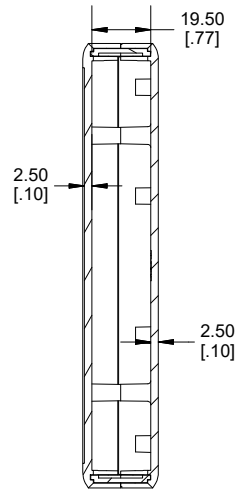
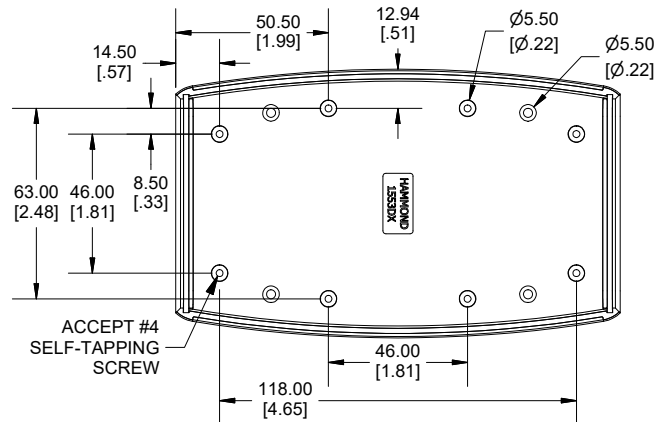


**TOP VIEW**

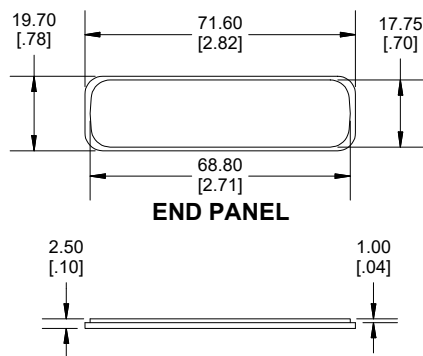
**END VIEW**



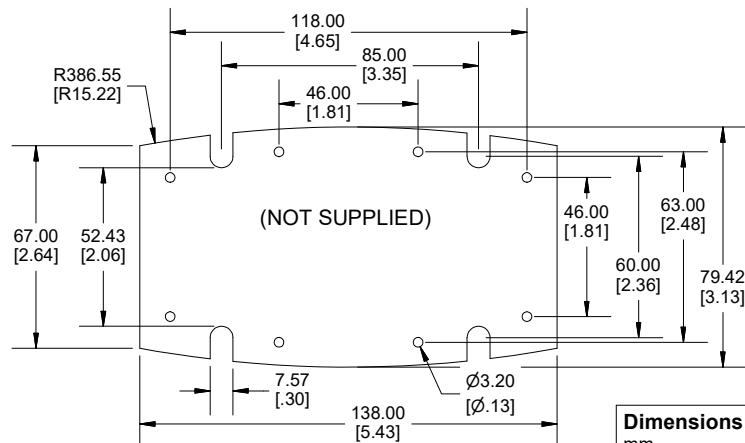
**SECTION A-A**



**INSIDE BOTTOM**



**END PANEL**



**MAXIMUM P.C.B. SIZE**

Dimensions:  
mm  
[inches]



Enclosures can be Factory Modified (Milling, Drilling, Printing etc.)  
Contact Factory (modshop@hammfg.com) for quotes  
Solid models of this enclosure available in .stp or .x\_t  
(Part number and text placement/orientation on our products are subject to change,  
we do not recommend using them as a locating reference for modification purposes)

NOTE	
Enclosure molded from GP ABS Plastic.	
Purchased assembly includes Top, Bottom, 2 plastic end panels and 4 cover screws. (P.C. Board not supplied)	
<b>Recommended Cover screw torque -- 2.5 lbf-in (30 cN-m)</b>	

PART NUMBER	
1553 Regular Enclosure	
Black Enclosure/Grey Over-mold	1553DXBK
Grey Enclosure/Grey Over-mold	1553DXGY
ACCESSORIES	
Oval Head Cover Screws Self-Tapping (Pkg 100) [Ø.22] (#4 X 3/4" (19mm))	1593QS100 (Silver) 1593QS100BK (Black)
Belt or Pocket Clip	1599CLIP (Black) 1599CLIPGY (Grey)
P.C. Board Self Tapping Screw [Ø.22] (#4 X 1/4" (6.4mm) Plated)	1593ATS50 (Pkg 50) 1593ATS100 (Pkg 100)

**HAMMOND  
MANUFACTURING®**  
**1553DX**  
www.hammondmfg.com

# Mouser Electronics

Authorized Distributor

Click to View Pricing, Inventory, Delivery & Lifecycle Information:

[Hammond:](#)

[1553DXGY](#)