



RJ45 AND USB 2.0 Contacts, Tools, and Accessories

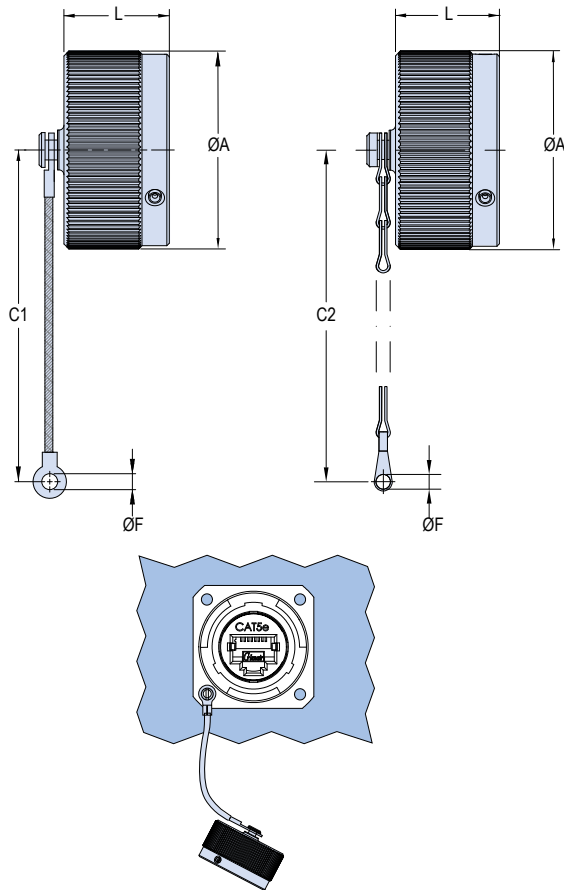


Series ITS Protective Covers for Wall Mount and Jam Nut Receptacle Connectors

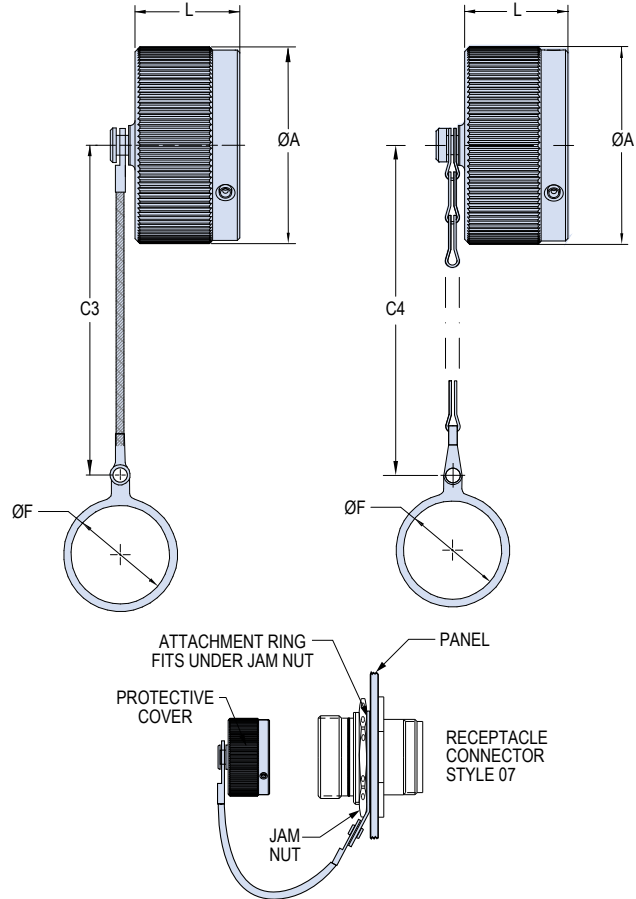
Series ITS (5015 Intermountable)

How To Order				
Sample Part Number	ITB02	TF	-17	F6
Series/Basic Part No.	ITB02 = Wall Mount Attachment Style		ITB07 = Jam Nut Attachment Style (See Note 1)	
Attachment Type	TF = Stainless Steel Wire Rope		T = Sash Chain	
Connector Size	17 = Shell Size 16	18 = Shell Size 18		
Material/Finish Options	F6 = Aluminum/Black Polymer Electrocoat F11 = Aluminum/Electroless Nickel		F7 = Aluminum/Conductive Black Zinc Nickel Omit for Aluminum/Cadmium, Olive Drab	

ITS (ITB02) WALL MOUNT RECEPTACLE COVER



ITS (ITB07) JAM NUT MOUNT RECEPTACLE COVER



Dimensions								
Shell Size Code	Connector Size	ØA ±.020 (±0.5)	Wall Mount		Jam Nut		ØF +.007 (+0.2) -.003 (-0.1)	L Max.
			Wire Rope C1 Min.	Sash Chain C2 Min.	Wire Rope C3 Min.	Sash Chain C4 Min.		
-17	16	1.26 (32.0)	7.60 (193)	4.84 (123)	8.19 (208)	5.39 (137)	.170 (4.3)	.83 (21.0)
-18	18	1.44 (36.5)	7.60 (193)	4.84 (123)	8.19 (208)	5.43 (138)	.17 (4.3)	.85 (21.7)

NOTES

- For plug covers contact factory

Mouser Electronics

Authorized Distributor

Click to View Pricing, Inventory, Delivery & Lifecycle Information:

[Glenair:](#)

[ITB02T-18](#)