

# Band-Master™ ATS

## Pneumatic Banding Tools

### Pneumatic Banding Tools

#### High-Volume Pneumatic Bench-Mount Units and Calibration Kits Available for Standard, Micro, Nano and Slim Band Termination Systems

##### 601-106 Standard Pneumatic Banding Tool with Counter

**The 601-106 Standard Pneumatic Banding Tool** accommodates 601-005, 601-006, 601-052 and 601-054 standard bands in a tension range of from 100-180 lbs. Calibrate at  $150 \pm 5$  lbs for most shield terminations. Weight of the tool is 2.52 lbs (1.14 Kg); the control box weighs 3.51 lbs (1.59 Kg). Includes 601-400 foot

##### 601-110 Slim Standard Pneumatic Banding Tool with Counter

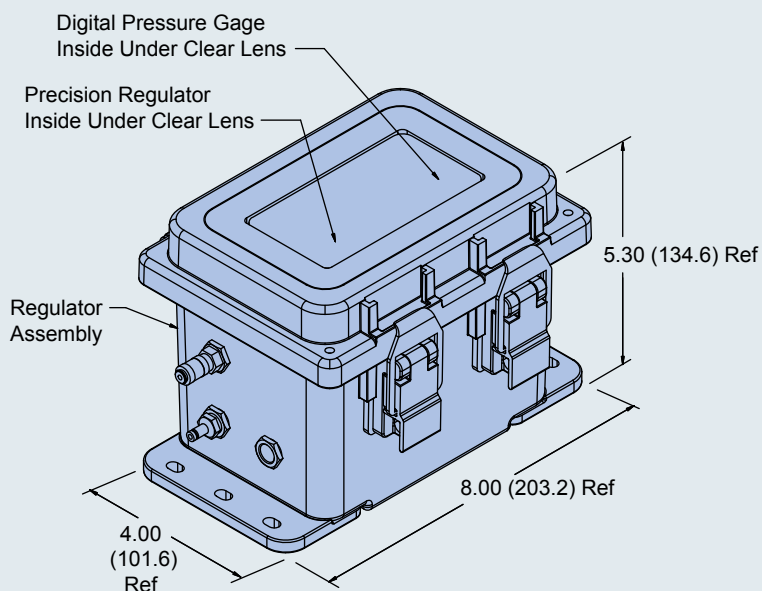
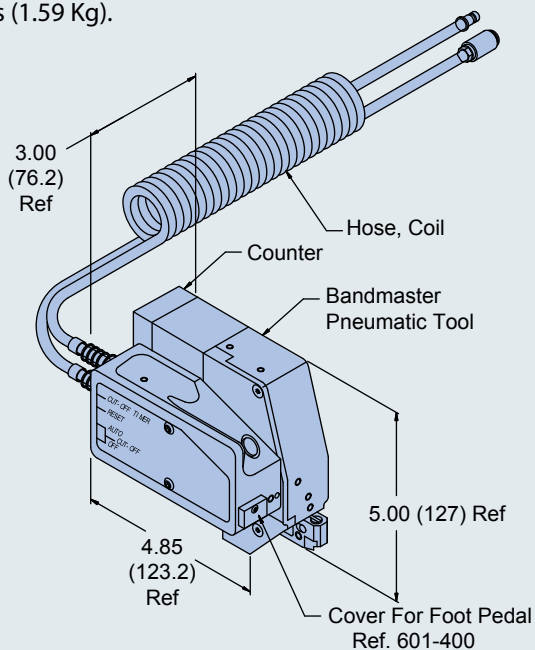
**The 601-110 Slim Standard Pneumatic Banding Tool** accommodates 601-570, 601-571, 601-572, 601-573 Slim Standard bands in a tension range of from 50-100 lbs. Calibrate at  $100 \pm 3$  lbs for most shield terminations. Weight of the tool is 2.52 lbs (1.14 Kg); the control box weighs 3.51 lbs (1.59 Kg).

##### 601-107 Micro Pneumatic Banding Tool with Counter

**The 601-107 Micro Pneumatic Banding Tool** accommodates 601-024, 601-025, 600-057, 600-059 Micro Bands in a tension range of from 60 to 90 lbs. Calibrate at  $80 \pm 5$  lbs for most shield terminations. Weight of the tool is 2.52 lbs (1.14 Kg); the control box weighs 3.51 lbs (1.59 Kg).

##### 601-118 Nano Pneumatic Banding Tool with Counter

**The 601-118 Nano Pneumatic Banding Tool** accommodates 601-500, 601-501, 601-504, 601-505, 601-508 and 601-509 Nano bands in a tension range of from 30-90 lbs. Calibrate at  $50 \pm 3$  lbs for most shield terminations. Weight of the tool is 2.52 lbs (1.14 Kg); the control box weighs 3.51 lbs (1.59 Kg).



# Mouser Electronics

Authorized Distributor

Click to View Pricing, Inventory, Delivery & Lifecycle Information:

[Glenair:](#)

[600-059](#)