

TABLE I

SHELL SIZE	A THREAD CLASS 2B		B MAX		C MAX		D MAX		E MAX		F MAX	
	7/16-28 UNEF	9/16-24 UNEF	1.03	1.995	1.03	1.339	1.405	08	10	12	14	16
08	7/16-28 UNEF	9/16-24 UNEF	1.03	1.995	1.03	1.339	1.405	08	10	12	14	16
10	9/16-24 UNEF	1 1/16-24 UNEF	1.10	2.055	1.16	1.465	1.435	08	12	14	16	18
12	1 1/16-24 UNEF	1 1/8-20 UNEF	1.16	2.125	1.31	1.589	1.465	12	16	18	20	22
14	1 1/8-20 UNEF	1 1/4-18 UNEF	1.22	2.185	1.37	1.715	1.485	16	20	22	24	
16	1 1/4-18 UNEF	1 1/2-16 UNEF	1.31	2.245	1.42	1.901	1.515	16	20	22	24	
18	1 1/2-16 UNEF	1 3/4-14 UNEF	1.37	2.265	1.44	2.025	1.535	20	24			
20	1 3/4-14 UNEF	2-12 UNEF	1.42	2.405	1.44	2.025	1.565	20				
22	2-12 UNEF	2 1/4-10 UNEF	1.44	2.435	1.56	2.152	1.595	20				
24	2 1/4-10 UNEF		1.56	2.495	1.56	2.403	1.615	20				

TABLE II

DASH NO	G REF	J REF
04	.63	.47
08	.87	.71
12	1.17	1.01
16	1.42	1.26
20	1.73	1.57

TABLE III

SYM	FINISH DESCRIPTION
B	CADMIUM PLATE/OLIVE DRAB
M	ELECTROLESS NICKEL
N	CADMIUM PLATE/OLIVE DRAB OVER NICKEL
NF	CAD/O. D. OVER ELECTROLESS NICKEL (500 HOUR SALT SPRAY)
Z1	SST. MATERIAL/PASSIVATE

PART NUMBER DEVELOPMENT

EXAMPLE: 447 F E 684 NF 18 04 - 4

PRODUCT SERIES  
 CONNECTOR DESIGNATOR, F = MIL-C-38999 SER. I & II  
 ANGULAR FUNCTION  
 SYM E = 90°  
 SYM F = 45°  
 SYM S = STRAIGHT  
 BASIC NO  
 FINISH SYM, TABLE III  
 SHELL SIZE, TABLE I  
 DASH NO, TABLE II  
 LENGTH IN 1/2 INCH INCREMENTS (e.g. . . . 4 = 2.0 INCHES)  
 MIN. LENGTH 1.50 INCHES.  
 APPLIES TO SYM S, STRAIGHT, ONLY.

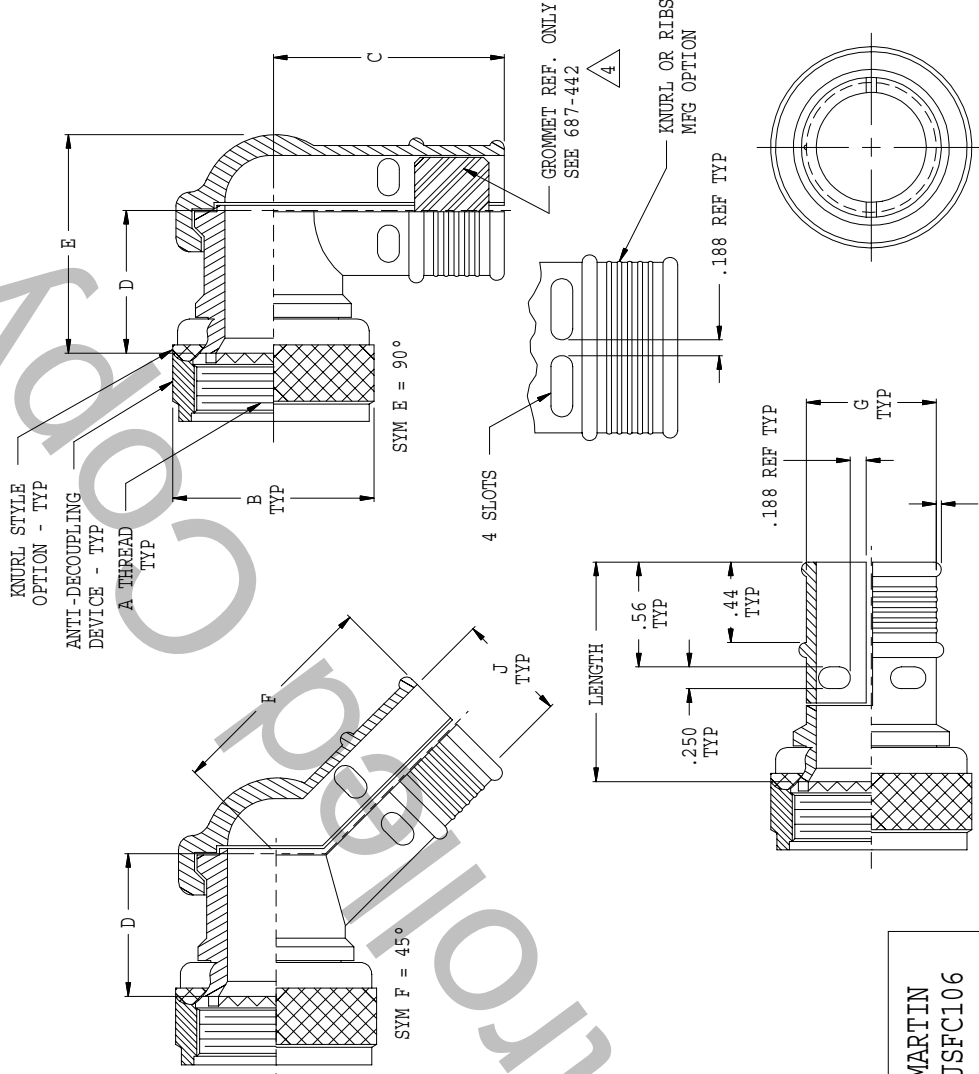
LOCKHEED MARTIN  
 JSFC86 & JSFC106

NOTES:

- ASSEMBLY IDENTIFIED WITH MANUFACTURER'S NAME AND P/N, SPACE PERMITTING.
- FOR EFFECTIVE GROUNDING, CONNECTOR WITH CONDUCTIVE FINISH SHOULD BE USED.
- GLENAIR 600 SERIES BACKSHELL ASSEMBLY TOOLS ARE RECOMMENDED FOR ASSEMBLY AND INSTALLATION.  
 SEE 687-442 FOR FIBER GROMMET.
- MATERIAL/FINISH:  
 ADAPTER, ELBOW, COUPLING NUT - AL ALLOY OR STAINLESS STEEL/SEE TABLE III  
 ANTI-DECOUPLING DEVICE - CORROSION RESISTANT MATERIAL

REVISIONS

SYM.	DESCRIPTION	DATE	APPROVED
2	PRELIMINARY	01/16/06	JMD



UNLESS OTHERWISE SPECIFIED DIMENSIONS ARE IN INCHES	DRAWN JMD	10/18/04	CAD 2001
TOLEANCES: FRACTIONS ± 1/16 DECIMALS .XX ± .03 ANGLES ± 2°	CHECK J PLESSAS	10/18/04	
DO NOT SCALE THIS DRAWING (DIMENSIONS)	ENGR J PLESSAS	10/18/04	
APPROVED <i>R. Plessas</i>	<b>GLENAIR, INC.</b> 1211 AIR WAY - GLENDALE - CALIFORNIA 91201		
RELEASE DATE (DIMENSIONS)	BACKSHELL, SPLIT, RFI/EMI FOR MIL-C-38999 SERIES I & II CONNECTORS		
B/F 01-9170 P/C 447F*	SCALE N/A	WEIGHT N/A	SHEET 1 OF 1
	CODE IDENT. NO. 06324	SIZE C	REV. 2
	C 447F*684		

# Mouser Electronics

Authorized Distributor

Click to View Pricing, Inventory, Delivery & Lifecycle Information:

[Glenair:](#)

[447FS684NF1612-4](#)