



Mighty Mouse Connectors with Size #8 Quadrad, Twinax, Coax or Power Contacts

852-007 and 852-006 Size #8 Coax Contacts for RG180 Cable

Size #8 coaxial contacts for M17/095-RG-180 cable

K



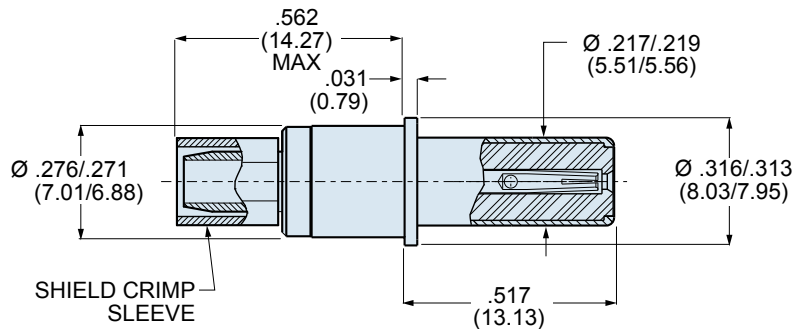
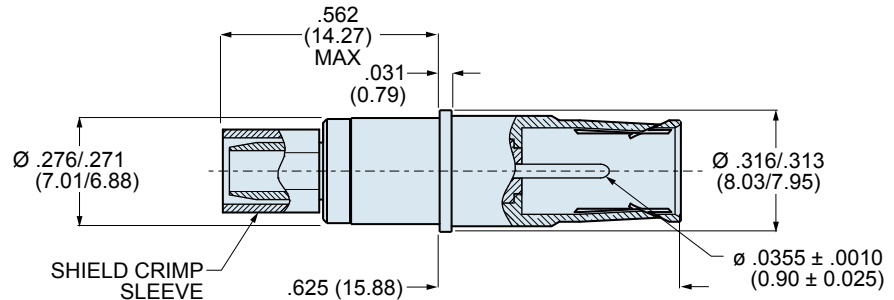
Fig. 1
Pin Contact
852-007-08-367



Fig. 2
Socket Contact
852-006-08-366

Coax contacts accept M17/095-RG180 cable. These snap-in, rear release contacts fit Glenair Series 80 Mighty Mouse connectors and Glenair MIL-DTL-38999 Series I, III and IV connectors with size #8 cavities. Crimp termination. Gold-plated copper alloy, Teflon insulator. Supplied unassembled. Order sealing boot separately (fig. 3). 1 A current rating, 500 Vac. SAE AS39029 qualified.

Fig.	Description	Cable Accommodation	Part Number	AS39029 Part Number	Color Bands		
					1st	2nd	3rd
Fig. 1	Pin	M17/095-RG180	852-007-08-367	M39029/60-367	Orn	Blu	Vio
Fig. 2	Socket	M17/095-RG180	852-006-08-366	M39029/59-366	Orn	Blu	Blu
Fig. 3	Sealing Boot	M17/095-RG180	859-042-02				



Contact Removal Tool

Plastic tool extracts wired contact from connector. First, remove sealing boot, then insert tool from rear of connector.

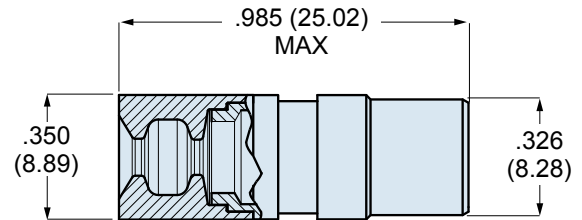
Size	Part Number	Military Part Number
#8	859-049	M81969/14-12



Sealing Boot

Sealing boot is ordered separately. Slide boot onto wire before terminating contact. After contact is installed in connector, slide boot forward into connector grommet to seal the contact cavity.

Wire Dia. (in.)	Wire Dia. (mm.)	Part Number
.090 - .130	2.3 - 3.3	859-042-01
.130 - .170	3.3 - 4.3	859-042-02
.170 - .205	4.3 - 5.2	859-042-03



Dimensions in Inches (millimeters) are subject to change without notice.

Mouser Electronics

Authorized Distributor

Click to View Pricing, Inventory, Delivery & Lifecycle Information:

[Glenair:](#)

[M39029/60-367](#) [M39029/59-366](#)