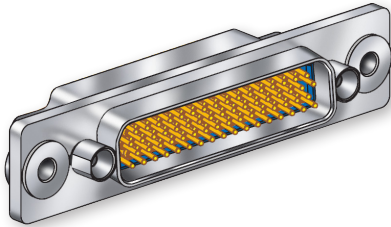


**790-050P**  
**Crimp Terminated Rear Panel**  
**Float Mount Receptacles, Pin Contacts**  
**How To Order**



**790-050P Rear Panel Float Mount Receptacles**

**PIN CONTACTS WITH CRIMP TERMINATION**



790-050P connectors are equipped with rear-panel float mounting assemblies to provide additional mounting leeway in rack and panel applications. These connectors feature machined aluminum shells and wire grommets for environmental protection. Contacts are rear-release snap-in crimp type. Connectors are supplied with crimp contacts packaged separately. Size #23 signal pins accept up to #22 AWG wire. Size #16 contacts accept #16-18 AWG wire. Size #12 contacts accept #12-14 AWG wire. Size 12 and 16 cavities also accept coaxial contacts purchased separately. Attach optional shielding adapters (799-016) for EMI protection.

**HOW TO ORDER**

**Sample Part Number**

<b>790-050P</b>	<b>H-66</b>	<b>M</b>	<b>P</b>
<b>Part Number</b>	<b>Shell Size - Insert Arrangements</b>	<b>Shell Finish</b>	<b>Hardware Option</b>
<b>790-050P</b> Rear Panel Float Mounted Receptacle with Pin Contacts	See Table I for Available Insert Arrangements  To order a connector without size #16 or #12 power pins, substitute "W" instead of "P" in the insert arrangement.  Example:  <b>36P2</b> is supplied with 2 power pins.  <b>36W2</b> is supplied less the power pins.  See Section B for coaxial contacts purchased separately.	<b>M</b> Electroless Nickel <i>general purpose applications</i>  <b>MT</b> Nickel-PTFE <i>1000 Hour Grey™</i> <i>maximum corrosion protection and durability</i> <i>(non-reflective grey)</i>  <b>ZNU</b> Zinc-Nickel with Black Chromate <i>tactical applications</i> <i>(non-reflective black)</i>  Additional shell finishes are listed on page C-9.	 <b>N</b> No Hardware  <b>G</b> Guide Pin  <b>S</b> Female Guide Socket

**SPECIFICATIONS**

Current Rating	#23 5 AMPS, #16 13 A., #12 23 A.
Dielectric Withstanding Voltage	#23 500 VAC RMS, #12 and #16 1800 VAC RMS
Insulation Resistance	5000 megohms minimum
Operating Temperature	-65° C. to +150° C.
Shock	300 g.
Vibration	37 g.

**MATERIALS AND FINISHES**

Shell	Aluminum alloy
Contacts	Copper alloy, 50 microinches gold plated, stainless steel hood
Insulators	Liquid crystal polymer (LCP)
Retention Clips	Beryllium copper alloy
Grommet	Flourosilicone rubber
Hardware	300 series stainless steel

Dimensions in Inches (millimeters) are subject to change without notice.



# 790-050P Crimp Terminated Rear Panel Float Mount Receptacles, Pin Contacts How To Order

Table 1 Contact Arrangements

Layout	Contact Quantity		Face View
	#23	#16#12	
A-5	5		
B-2P2	2		
B-9	9		
C-13	13		
D-15	15		
D-3P3	3		
D-7P2	5	2	
E-11P2	9	2	
E-19	19		
E-7P3	4	3	
F-15P2	13	2	
F-23	23		
F-5P5	5		
G-33	33		
H-10P4	6	4	
H-29P7	22	7	
H-36P2	34	2	
H-54P2	52	2	
H-5P5		5	
H-66	66		
J-17P4	13	4	
J-25P2	23	2	
J-33	33		
J-7P7	7		
K-27P4	23	4	
K-35P2	33	2	
K-43	43		
K-9P9	9		
L-6P6		6	
L-78	78		
M-102	102		

CROSS-SECTIONAL VIEW OF 790-050P

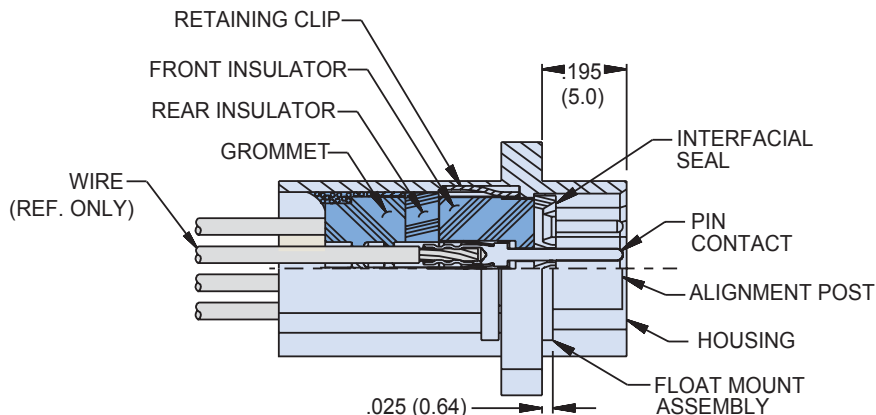
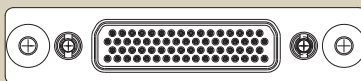


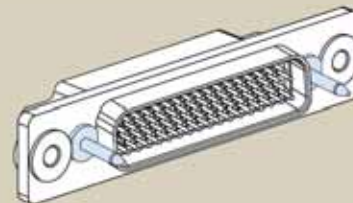
TABLE 2 HARDWARE OPTION



**N**

**No Mating Hardware**

Connector is supplied with threaded holes. Shell sizes H and L have #6-32 threads, other sizes have #4-40 threads. Thread depth is .150" (3.8).



**G**

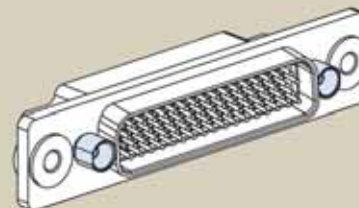
**Guide Pins**

Connector is supplied with stainless steel non-removable guide pins. Mates with type "S" guide sockets on corresponding receptacle connector.

**S**

**Guide Sockets**

Connector is supplied with stainless steel non-removable bushings. Mates with type "G" guide pins on corresponding receptacle connector.



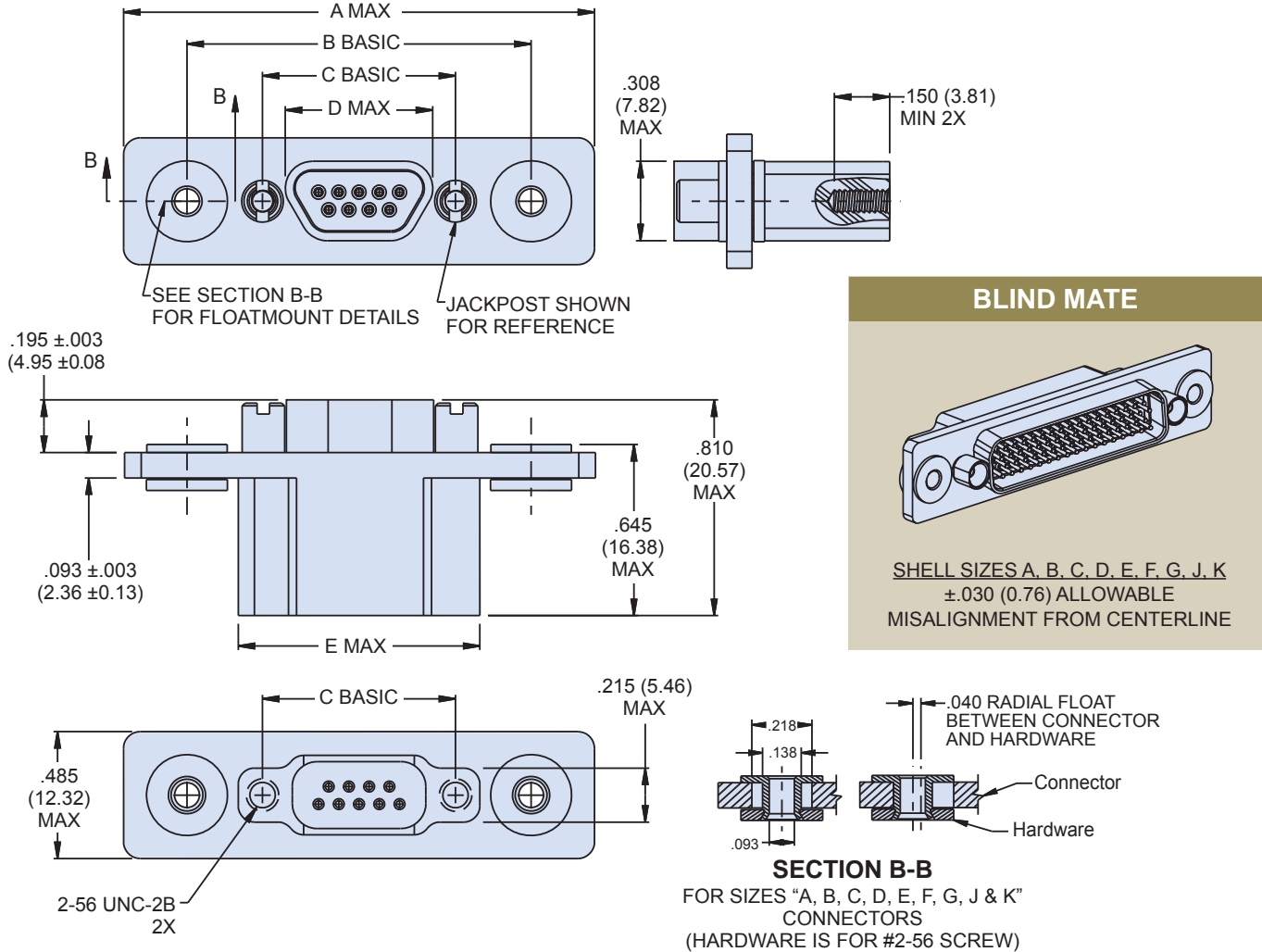
Dimensions in Inches (millimeters) are subject to change without notice.

**790-050P**  
**Crimp Terminated Rear Panel**  
**Float Mount Receptacles, Pin Contacts**  
**Dimensions**



Series 79  
 Panel Mount  
 Connectors

**790-050P Shell Sizes A, B, C, D, E, F, J and K Dimensions**



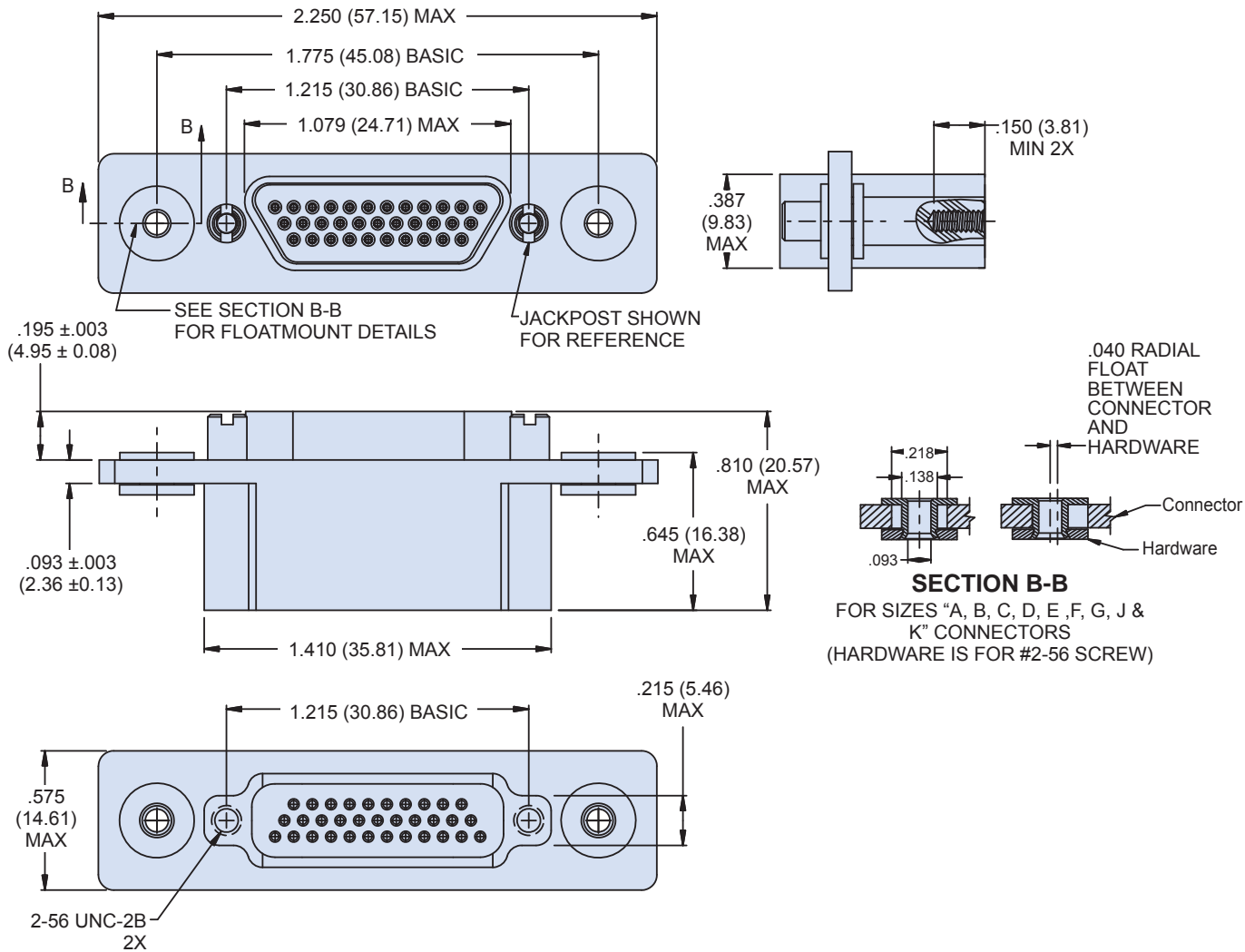
790-050P SIZES A, B, C, D, E, F, G, J & K DIMENSIONS										
Shell Size	A Max.		B Basic		C Basic		D Max.		E Max.	
	In.	mm.	In.	mm.	In.	mm.	In.	mm.	In.	mm.
<b>A</b>	1.600	40.64	1.125	28.58	.565	14.35	.401	10.19	.760	19.30
<b>B</b>	1.700	43.18	1.275	32.38	.715	18.16	.551	14.00	.910	21.11
<b>C</b>	1.900	48.26	1.425	36.20	.865	21.97	.701	17.81	1.060	26.92
<b>D</b>	2.000	50.80	1.525	38.74	.965	25.51	.801	20.35	1.160	29.46
<b>E</b>	2.150	54.61	1.675	42.55	1.115	28.32	.951	24.16	1.310	33.27
<b>F</b>	2.300	58.42	1.825	46.36	1.265	32.13	1.101	27.96	1.460	37.08
<b>J</b>	2.650	67.31	2.175	55.25	1.615	41.02	1.456	36.98	1.810	45.97
<b>K</b>	3.050	77.47	2.575	65.41	2.015	51.18	1.860	47.24	2.210	56.13

Dimensions in Inches (millimeters) are subject to change without notice.



**790-050P**  
Crimp Terminated Rear Panel  
Float Mount Receptacles, Pin Contacts  
Dimensions

**790-050P Shell Size G Dimensions**



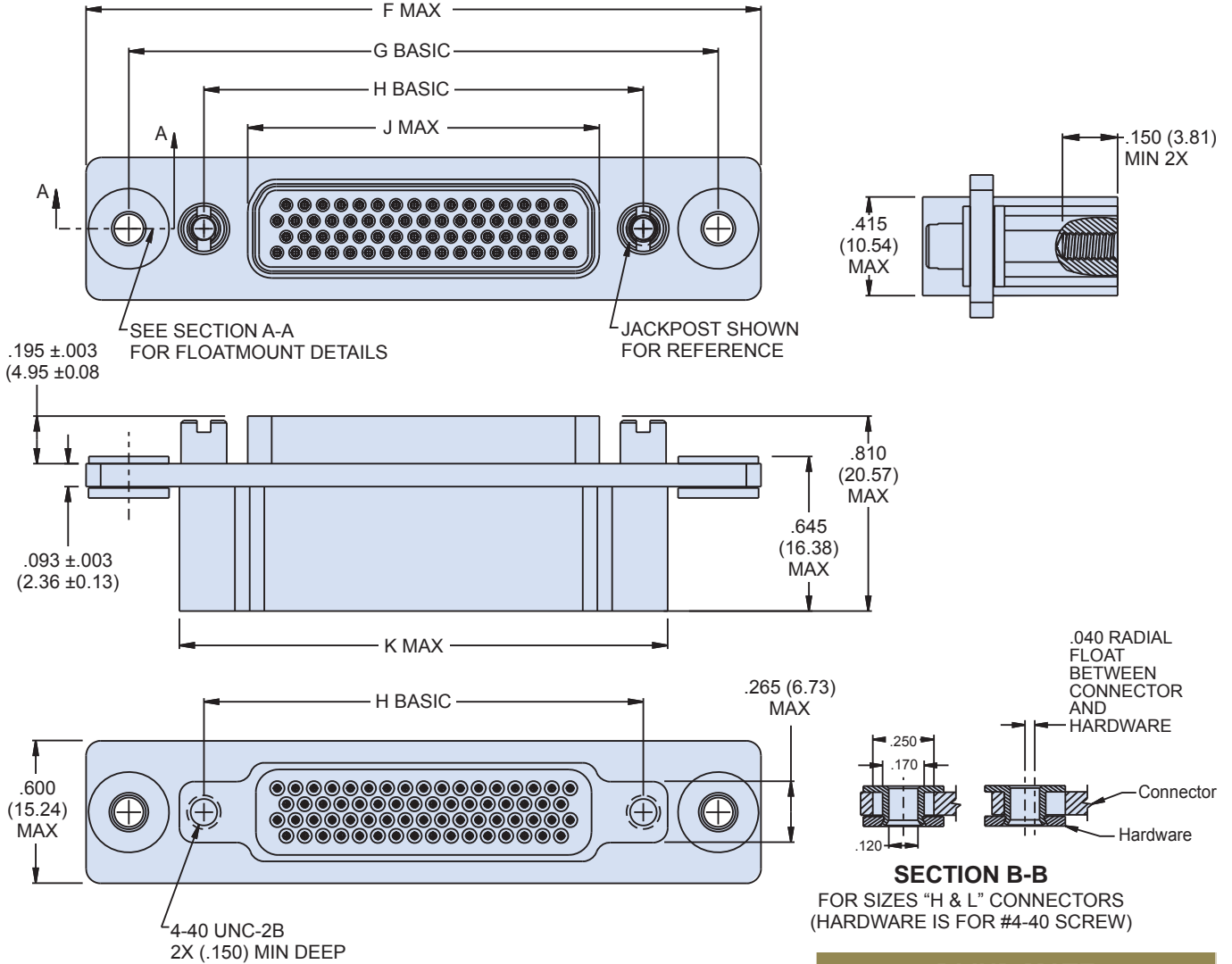
**SECTION B-B**  
FOR SIZES "A, B, C, D, E, F, G, J & K" CONNECTORS  
(HARDWARE IS FOR #2-56 SCREW)

Dimensions in Inches (millimeters) are subject to change without notice.

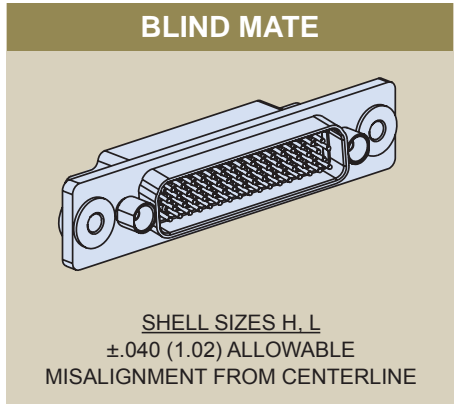
**790-050P**  
**Crimp Terminated Rear Panel**  
**Float Mount Receptacles, Pin Contacts**  
**Dimensions**



**790-050P Shell Sizes H and L Dimensions**



790-050P SIZES H & L DIMENSIONS										
Shell Size	A Max.		B Basic		C Basic		D Max.		E Max.	
	In.	mm.	In.	mm.	In.	mm.	In.	mm.	In.	mm.
H	2.780	70.61	2.415	61.34	1.800	45.72	1.450	36.83	2.045	51.94
L	3.016	76.61	2.651	67.34	2.036	51.71	1.686	42.82	2.281	57.94

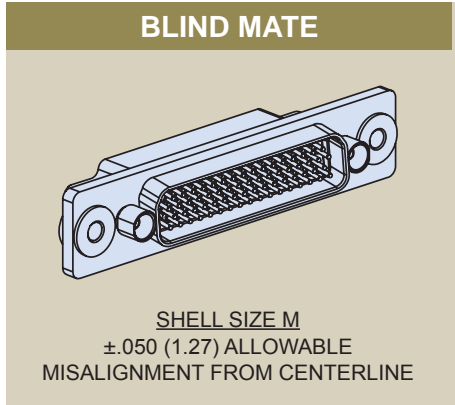
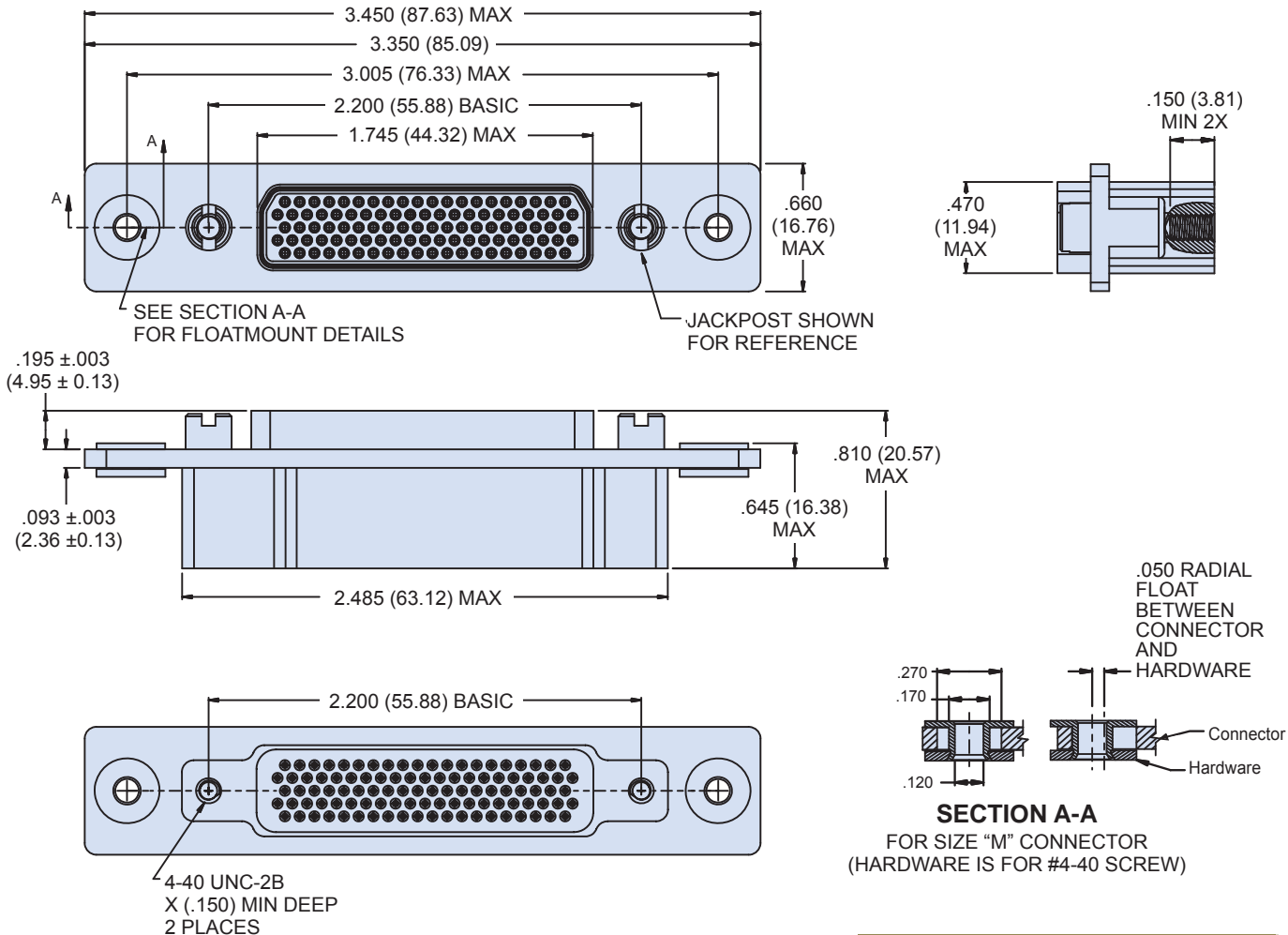


Dimensions in Inches (millimeters) are subject to change without notice.



**790-050P**  
**Crimp Terminated Rear Panel**  
**Float Mount Receptacles, Pin Contacts**  
**Dimensions**

**790-050P Shell Size M Dimensions**



Dimensions in Inches (millimeters) are subject to change without notice.

# Mouser Electronics

Authorized Distributor

Click to View Pricing, Inventory, Delivery & Lifecycle Information:

[Glenair:](#)

[790-050PE-19MG](#)