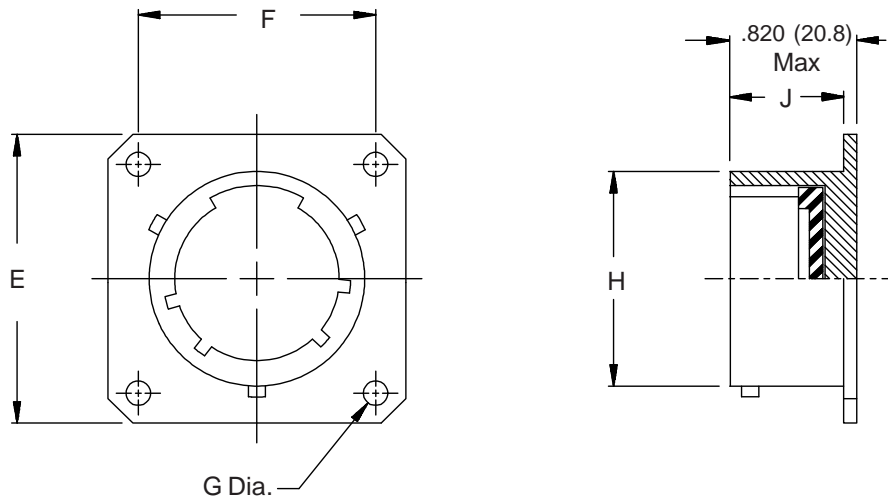


**S J T**

**650LS001 M 16**  
 Basic Part No. \_\_\_\_\_  
 Finish (Table II) \_\_\_\_\_  
 Shell Size \_\_\_\_\_



See inside back cover fold-out or page 14 for Table II.

TABLE III: DIMENSIONS							
Shell Size	E	F	G	H	J	Dim	
08	.812 (20.6)	.594 (15.1)	.120 (3.0)	.473 (12.0)	.670 (17.0)		
10	.938 (23.8)	.719 (18.3)	.120 (3.0)	.590 (15.0)	.670 (17.0)		
12	1.031 (26.2)	.812 (20.6)	.120 (3.0)	.750 (19.1)	.670 (17.0)		
14	1.125 (28.6)	.906 (23.0)	.120 (3.0)	.875 (22.2)	.670 (17.0)		
16	1.219 (31.0)	.969 (24.6)	.120 (3.0)	1.000 (25.4)	.670 (17.0)		
18	1.312 (33.3)	1.062 (27.0)	.120 (3.0)	1.125 (28.6)	.670 (17.0)		
20	1.438 (36.5)	1.156 (29.4)	.120 (3.0)	1.250 (31.8)	.640 (16.3)		
22	1.562 (39.7)	1.250 (31.8)	.120 (3.0)	1.375 (34.9)	.640 (16.3)		
24	1.686 (42.8)	1.375 (34.9)	.147 (3.7)	1.500 (38.1)	.640 (16.3)		

Metric dimensions (mm) are indicated in parentheses.

# Mouser Electronics

Authorized Distributor

Click to View Pricing, Inventory, Delivery & Lifecycle Information:

[Glenair:](#)

[650LS001NF14](#)