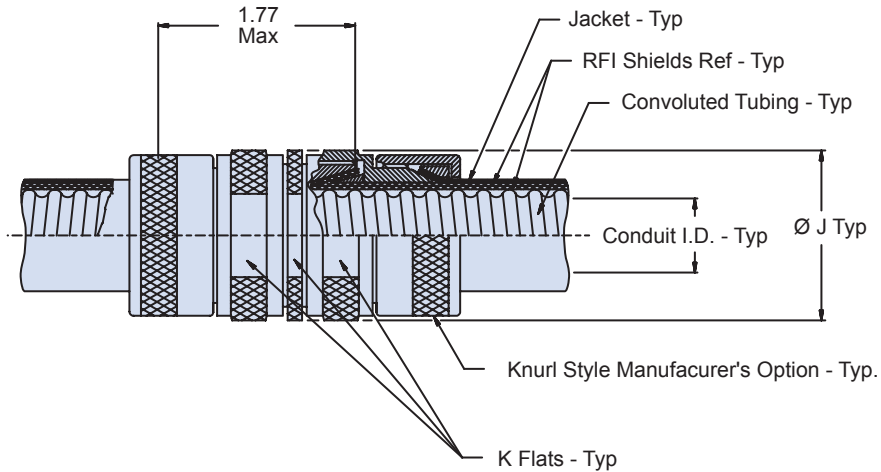
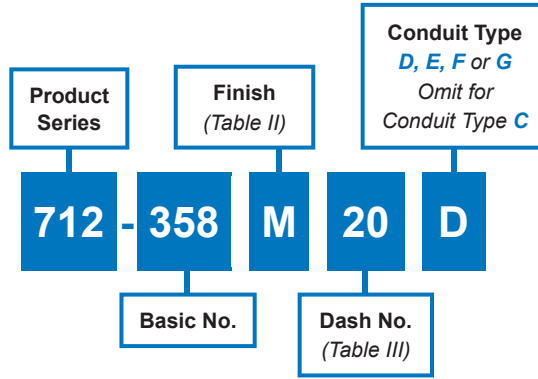




712-358  
Heavy Duty System  
Conduit to Conduit Splice Kit  
for Glenair Series 74 Convulated Tubing

Heavy-Duty System user installable splice kit

How To Order



**Material/Finish**

- Adapters, nuts, and ferrules: Al Alloy/See Table II
- O-Rings: Silicone/N.A.

712-358  
**Heavy Duty System**  
**Conduit to Conduit Splice Kit**  
**for Glenair Series 74 Convuluted Tubing**



**Table II: Finish**

Sym	Tubing Material
M	Electroless Nickel Per MIL-C-26074, Class I, Grade B
NF	Cadmium, Olive Drab, Per Qq-P-416, Type II Class 3 Over Electroless Nickel Per Mil-C-26074, Class I, Grade B

**Table III: Dimensions**

Dash No.	Conduit I.D.		Ø J Max	K Flats
	Min	Max		
06	.181 (4.6)	.188 (4.8)	1.09 (27.7)	.937 (23.8)
09	.273 (6.9)	.281 (7.1)	1.16 (29.5)	1.000 (25.4)
10	.306 (7.8)	.312 (7.9)	1.22 (31.0)	1.062 (27.0)
12	.359 (9.1)	.375 (9.5)	1.28 (32.5)	1.125 (28.6)
14	.427 (10.8)	.437 (11.1)	1.34 (34.0)	1.187 (30.1)
16	.480 (12.2)	.500 (12.7)	1.41 (36.6)	1.250 (31.8)
20	.603 (15.3)	.625 (15.9)	1.53 (38.9)	1.375 (34.9)
24	.725 (18.4)	.750 (19.1)	1.66 (42.2)	1.500 (38.1)
28	.860 (21.8)	.875 (22.2)	1.78 (45.2)	1.625 (41.3)
32	.970 (24.6)	1.000 (25.4)	1.91 (48.5)	1.750 (44.5)
40	1.205 (30.6)	1.250 (31.8)	2.28 (57.9)	2.125 (54.0)
48	1.437 (36.5)	1.500 (38.1)	2.59 (65.8)	2.437 (61.9)
56	1.688 (42.9)	1.750 (44.5)	2.91 (73.9)	2.750 (69.9)
64	1.937 (49.2)	2.000 (50.8)	3.03 (77.0)	2.875 (73.0)

**Table IV: Conduit Type**

Conduit Type	Part Number	Configuration
C	121-100	Tubing with braided shield and jacket
D	121-101	Tubing with braided shield
E	121-102	Tubing with two braided shields
F	121-103	Tubing with two braided shields and jacket
G	123-100	Tubing with jacket

# Mouser Electronics

Authorized Distributor

Click to View Pricing, Inventory, Delivery & Lifecycle Information:

[Glenair:](#)

[712-358NF64](#)