

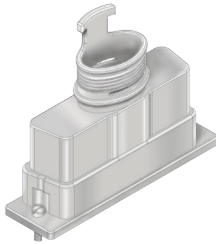
# SERIES 28 HiPer-D® Accessories



EMI Backshell, one-piece, environmental, panel mount

289T007 top entry, 289B007 45° entry, 289S007 side entry

289T007  
289S007  
289B007



289-007 backshell fits panel mount HiPer-D® connectors with threaded holes. Available in straight, right angle and 45° versions. Aluminum or stainless steel body, fluorosilicone rubber gasket and stainless steel screws. Design also features a boot groove for the attachment of Series 77 heatshrink boots. Terminate cable shield with optional BAND-IT® band. Optional slot allows easy termination of multiple individual cable shields. Attach cable ties to optional Qwik Ty™ leg.

Entry Style	
 <b>Fig. 1</b> Top Entry 289T007	 <b>Fig. 2</b> Side Entry 289S007
 <b>Fig. 3</b> 45° Entry 289B007	
Qwik Ty™ Option	Slot Option
 <b>Fig. 4</b> Qwik Ty™	 <b>Fig. 5</b> Slots
Cable Entry Direction	
 <b>Fig. 6</b> Long Side Entry (1)	 <b>Fig. 7</b> Short Side Entry (2)

Ordering Information								
<b>Sample Part Number</b>	<b>289B007</b>	<b>MT</b>	<b>2</b>	<b>C</b>	<b>N</b>	<b>N</b>	<b>N</b>	<b>1</b>
<b>Basic Part Number</b>	289T007 = Top Entry (Fig. 1) 289S007 = Side Entry (Fig. 2) 289B007 = 45° Entry (Fig. 3)							
<b>Finish</b>	ME = Electroless Nickel (RoHS) MT = Nickel-PTFE (RoHS) JF = Cadmium with Yellow Chromate Z2 = Gold (RoHS) Z1 = Passivated Stainless Steel (RoHS)							
<b>Shell Size</b>	1 = Shell Size 1 2 = Shell Size 2 3 = Shell Size 3 4 = Shell Size 4 5 = Shell Size 5 6 = Shell Size 6							
<b>Entry Size</b>	A, B, C or D See Cable Entry Size Table Below							
<b>Qwik Ty™ Option</b>	N = Supplied without Qwik Ty™ T = With Qwik Ty™ Strain Relief (Fig. 4)							
<b>Slot Option</b>	N = Supplied without Slots S = With Slots for Terminating Individual Shields (Fig. 5)							
<b>EMI/RFI Band</b>	N = Supplied without Band K = Supplied with Pre-Coiled Band (600-052-1)							
<b>Cable Entry Direction</b>	Omit for 289T007. Applies only to 289S007 and 289B007. 1 = Cable Exit on Long Side of Shell Keystone (Fig. 6) 2 = Cable Exit on Short Side of Shell Keystone (Fig. 7)							

		Cable Entry Size															
	Shell Size	Entry Size A				Entry Size B				Entry Size C				Entry Size D			
		E		F		E		F		E		F		E		F	
		In.	mm	In.	mm	In.	mm	In.	mm	In.	mm	In.	mm	In.	mm	In.	mm
1	.143	3.63	.143	3.63	.195	4.95	.195	4.95	.242	6.15	.242	6.15	.438	11.13	.375	9.53	
2	.188	4.78	.188	4.78	.256	6.50	.256	6.50	.480	12.19	.375	9.53	.688	17.48	.375	9.53	
3	.245	6.22	.245	6.22	.550	13.97	.375	9.53	.780	19.81	.375	9.53	1.125	28.58	.375	9.53	
4	.291	7.39	.291	7.39	.800	20.32	.375	9.53	1.260	32.00	.375	9.53	1.813	46.05	.375	9.53	
5	.326	8.28	.326	8.28	.770	19.56	.485	12.32	1.250	31.75	.485	12.32	1.750	44.45	.485	12.32	
6	.376	9.55	.376	9.55	.863	21.92	.550	13.97	1.323	33.60	.550	13.97	1.875	47.63	.550	13.97	

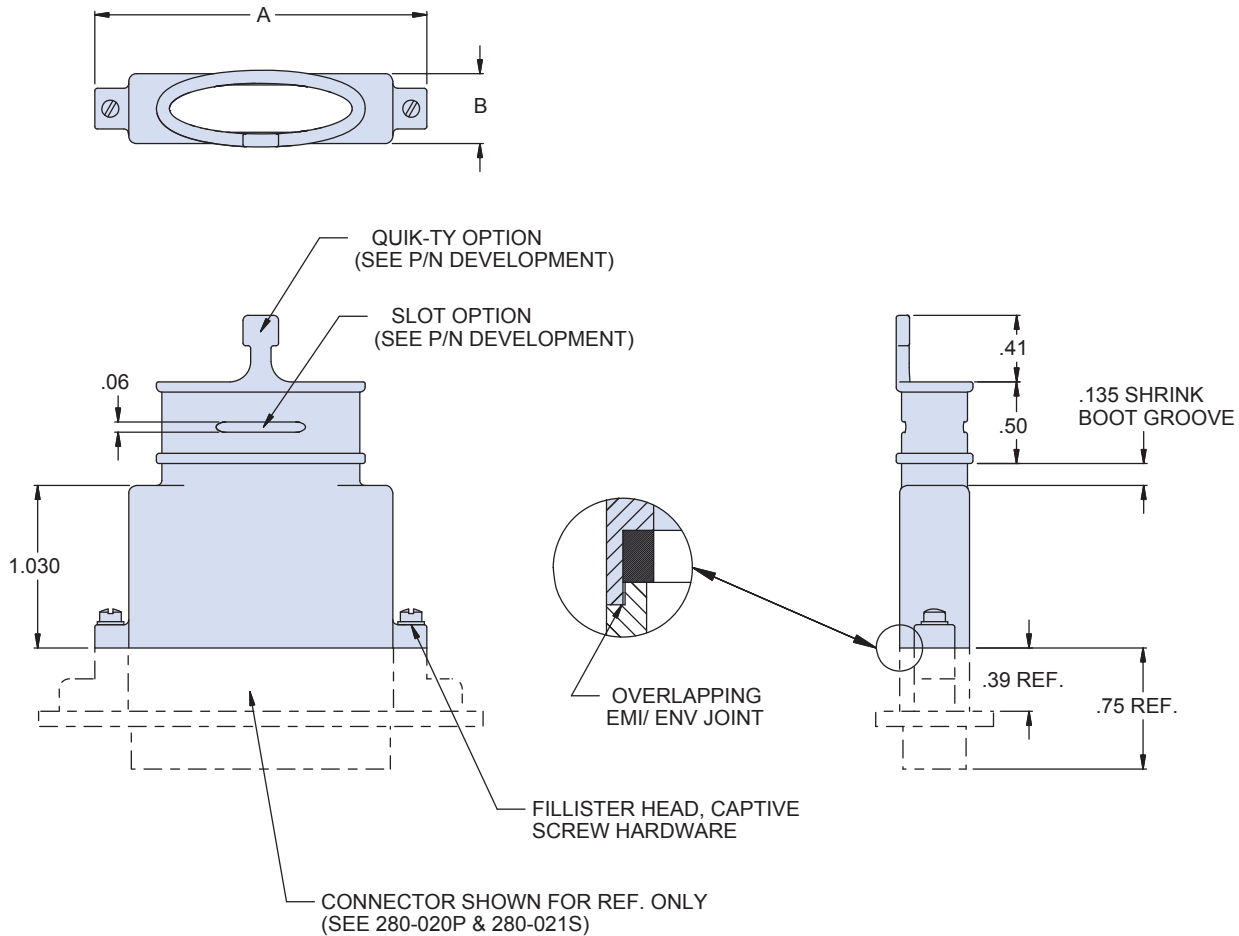


# SERIES 28 HiPer-D® Accessories



EMI Backshell, one-piece, environmental, panel mount  
289T007 top entry

## 289T007 DIMENSIONS



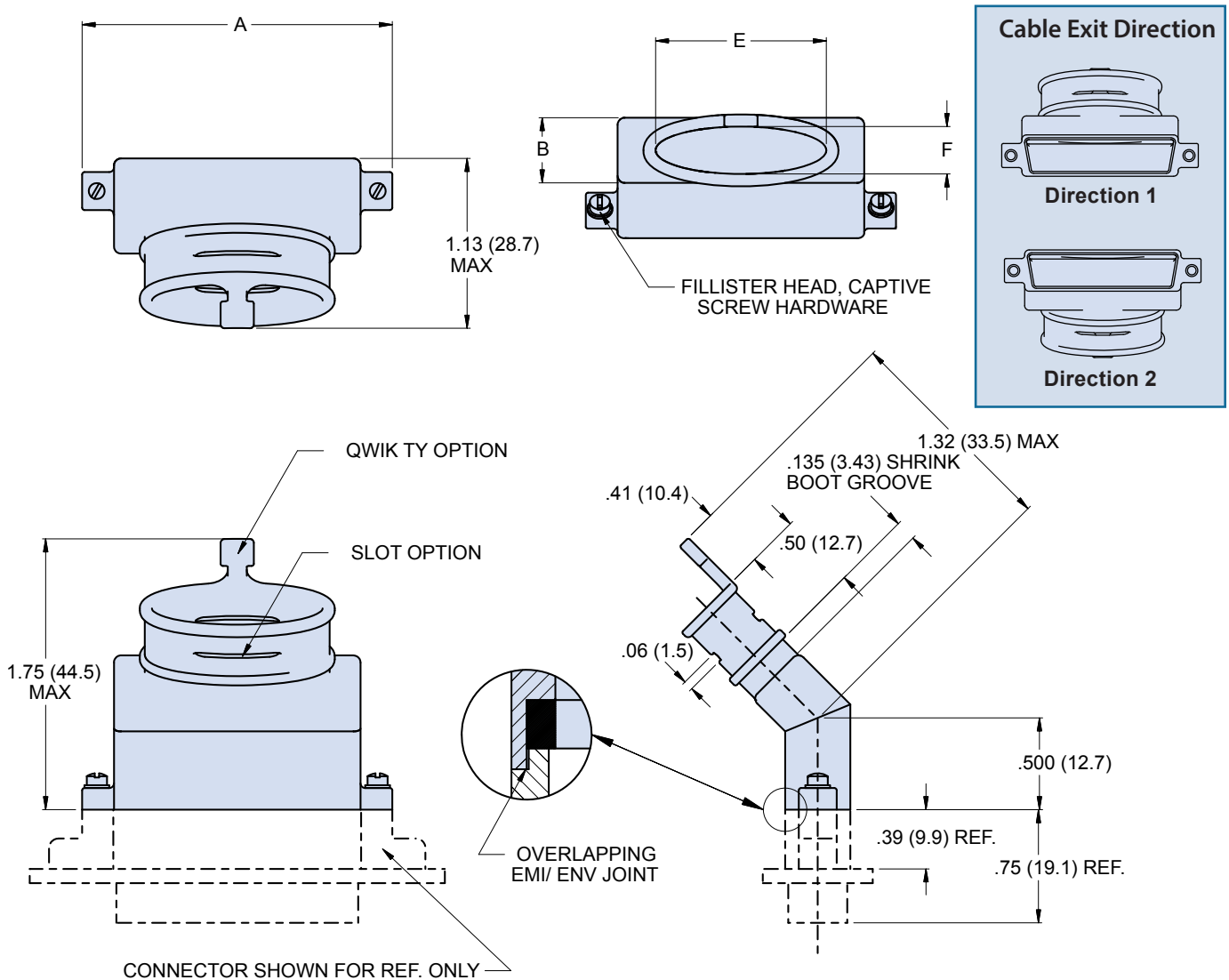
Shell Size	Dimensions																									
	A Max		B Max		Entry Size A				Entry Size B				Entry Size C				Entry Size D									
	In.	mm	In.	mm	E	F	E	F	R	E	F	R	E	F	R											
1	1.181	30.00	.526	13.36	.143	3.63	.143	3.63	.195	4.95	.195	4.95	N/A	.242	6.15	.242	6.15	N/A	.438	11.13	.375	9.53	.160	4.06		
2	1.506	38.25	.526	13.36	.188	4.78	.188	4.78	.256	6.50	.256	6.50	N/A	.480	12.19	.375	9.53	.125	3.18	.688	17.48	.375	9.53	.130	3.30	
3	2.046	51.97	.526	13.36	.245	6.22	.245	6.22	.550	13.97	.375	9.53	.125	3.18	.780	19.81	.375	9.53	.125	3.18	1.125	28.58	.375	9.53	.109	2.77
4	2.694	68.43	.526	13.36	.291	7.39	.291	7.39	.800	20.32	.375	9.53	.125	3.18	1.260	32.00	.375	9.53	.125	3.18	1.813	46.05	.375	9.53	.109	2.77
5	2.600	66.04	.628	15.92	.326	8.28	.326	8.28	.770	19.56	.485	12.32	.156	3.96	1.250	31.75	.485	12.32	.156	3.96	1.750	44.45	.485	12.32	.125	3.18
6	2.694	68.43	.690	17.53	.376	9.55	.376	9.55	.863	21.92	.550	13.97	.188	4.78	1.323	33.60	.550	13.97	.156	3.96	1.875	47.63	.550	13.97	.125	3.18

# SERIES 28 HiPer-D® Accessories



EMI Backshell, one-piece, environmental, panel mount  
289B007 45° entry

## 289B007 DIMENSIONS



Dimensions																				
Shell Size	A Max		B Max		Entry Size A				Entry Size B				Entry Size C				Entry Size D			
					E		F		E		F		E		F		E		F	
	In.	mm	In.	mm	In.	mm	In.	mm	In.	mm	In.	mm	In.	mm	In.	mm	In.	mm	In.	mm
1	1.181	30.00	.526	13.36	.143	3.63	.143	3.63	.195	4.95	.195	4.95	.242	6.15	.242	6.15	.438	11.13	.375	9.53
2	1.506	38.25	.526	13.36	.188	4.78	.188	4.78	.256	6.50	.256	6.50	.480	12.19	.375	9.53	.688	17.48	.375	9.53
3	2.046	51.97	.526	13.36	.245	6.22	.245	6.22	.550	13.97	.375	9.53	.780	19.81	.375	9.53	1.125	28.58	.375	9.53
4	2.694	68.43	.526	13.36	.291	7.39	.291	7.39	.800	20.32	.375	9.53	1.260	32.00	.375	9.53	1.813	46.05	.375	9.53
5	2.600	66.04	.628	15.92	.326	8.28	.326	8.28	.770	19.56	.485	12.32	1.250	31.75	.485	12.32	1.750	44.45	.485	12.32
6	2.694	68.43	.690	17.53	.376	9.55	.376	9.55	.863	21.92	.550	13.97	1.323	33.60	.550	13.97	1.875	47.63	.550	13.97

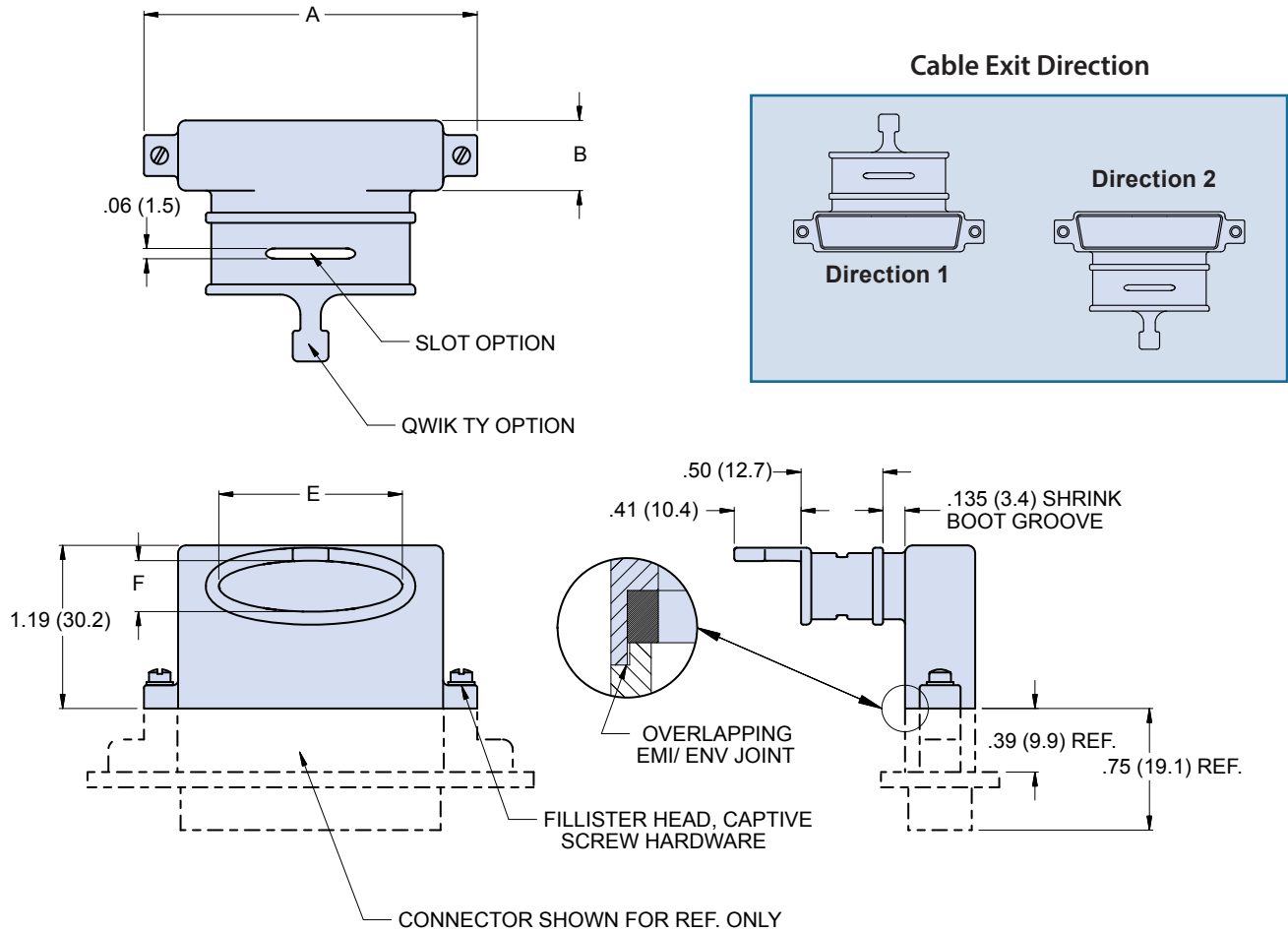


SERIES 28  
HiPer-D® Accessories



EMI Backshell, one-piece, environmental, panel mount  
289S007 side entry

289S007 DIMENSIONS



F

Shell Size	Dimensions																			
	A Max		B Max		SIZE A				SIZE B				SIZE C				SIZE D			
	In.	mm	In.	mm	E		F		E		F		E		F		E		F	
1	1.181	30.00	.526	13.36	.143	3.63	.143	3.63	.195	4.95	.195	4.95	.242	6.15	.242	6.15	.438	11.13	.375	9.53
2	1.506	38.25	.526	13.36	.188	4.78	.188	4.78	.256	6.50	.256	6.50	.480	12.19	.375	9.53	.688	17.48	.375	9.53
3	2.046	51.97	.526	13.36	.245	6.22	.245	6.22	.550	13.97	.375	9.53	.780	19.81	.375	9.53	1.125	28.58	.375	9.53
4	2.694	68.43	.526	13.36	.291	7.39	.291	7.39	.800	20.32	.375	9.53	1.260	32.00	.375	9.53	1.813	46.05	.375	9.53
5	2.600	66.04	.628	15.92	.326	8.28	.326	8.28	.770	19.56	.485	12.32	1.250	31.75	.485	12.32	1.750	44.45	.485	12.32
6	2.694	68.43	.690	17.53	.376	9.55	.376	9.55	.863	21.92	.550	13.97	1.323	33.60	.550	13.97	1.875	47.63	.550	13.97

# Mouser Electronics

Authorized Distributor

Click to View Pricing, Inventory, Delivery & Lifecycle Information:

[Glenair:](#)

[289T007ME1C-TNK](#)