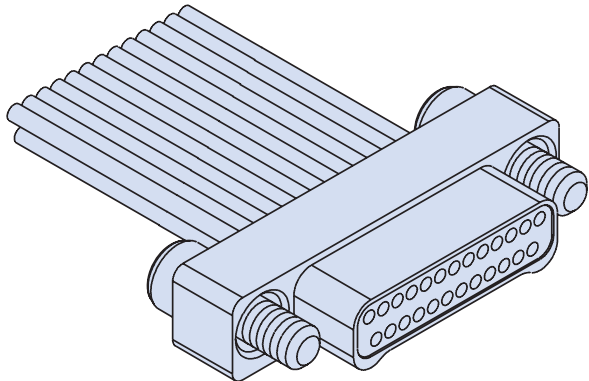


# 891-001 and -002 Series 89 Nanominiature Connectors Double Row Insulated Wire Pigtail Assemblies



Double Row Connectors



**Glenair's Pigtail Nano Connectors** feature gold alloy TwistPin contacts. Contacts are precision-crimped to insulated, stranded wire. These nanominiature connectors offer premium performance and reliability for demanding applications. Contact spacing is .025 inches. 1 amp current rating, DWV rating 300 volts AC. Wire gages #30 and #32 AWG.

**TwistPin Contact System** assures premium performance in demanding environments. The gold/platinum alloy contacts will stand up to years of exposure without corrosion.

**Typical Applications** include UAV's, satellites, missile systems and geophysical instruments.

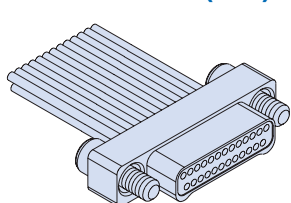
## HOW TO ORDER NANOMINIATURE CONNECTORS WITH INSULATED WIRE

Series	Insert Arrangement/ Contact Type	Shell Material and Finish	Wire Gage	Wire Type	Wire Color Code	Wire Length Inches	Hardware
<b>891-001</b> Plug, Pin Contacts, Double Row, Nanominiature	Plugs (891-001) <b>9P</b> <b>15P</b> <b>21P</b> <b>25P</b> <b>31P</b> <b>37P</b> <b>51P</b>	<b>A1</b> Aluminum Shell, Cadmium Plating	<b>0</b> #30 AWG	<b>A</b> Ultralightweight XLETFE Insulation, Silver-Coated Ultrahigh-Strength Copper (Not available for #32 AWG)	<b>1</b> White	<b>18</b> Wire Length In Inches. *18" Specifies 18 Inches.	<b>J</b> Jackscrew, #0-80
		<b>A2</b> Aluminum Shell, Electroless Nickel Plating	<b>2</b> #32 AWG		<b>2</b> Yellow		<b>T</b> #0-80 Female Threads
<b>891-002</b> Receptacle, Socket Contacts, Double Row, Nanominiature	Receptacles (891-002) <b>9S</b> <b>15S</b> <b>21S</b> <b>25S</b> <b>31S</b> <b>37S</b> <b>51S</b>	<b>T</b> Titanium Shell, Unplated	<b>B</b> Extruded PTFE Insulation, NEMA HP3-ETX (MIL-W-16878/6)	<b>C</b> Cross-Linked Modified ETFE Insulation, MIL-W-22759/33 (Not available for #32 AWG)	<b>7</b> 10 Color Repeating (wire type A is striped, types B and C are solid colors)		Female threads are available on plug connectors only if the shell material is titanium or stainless steel.
		<b>S</b> Stainless Steel Shell, Passivated					

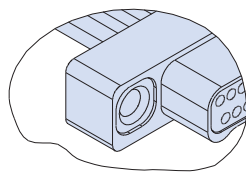
### Sample Part Number

<b>891-002</b>	<b>— 37S</b>	<b>A1</b>	<b>—0</b>	<b>A</b>	<b>1</b>	<b>— 12</b>	<b>J</b>
----------------	--------------	-----------	-----------	----------	----------	-------------	----------

### PLUG (PIN) CONNECTOR

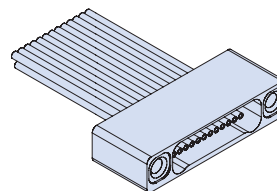


"J" Jackscrew Option

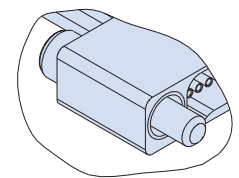


"T" Female Thread Option  
Titanium or Stainless Steel  
Shells Only

### RECEPTACLE (SOCKET) CONNECTOR



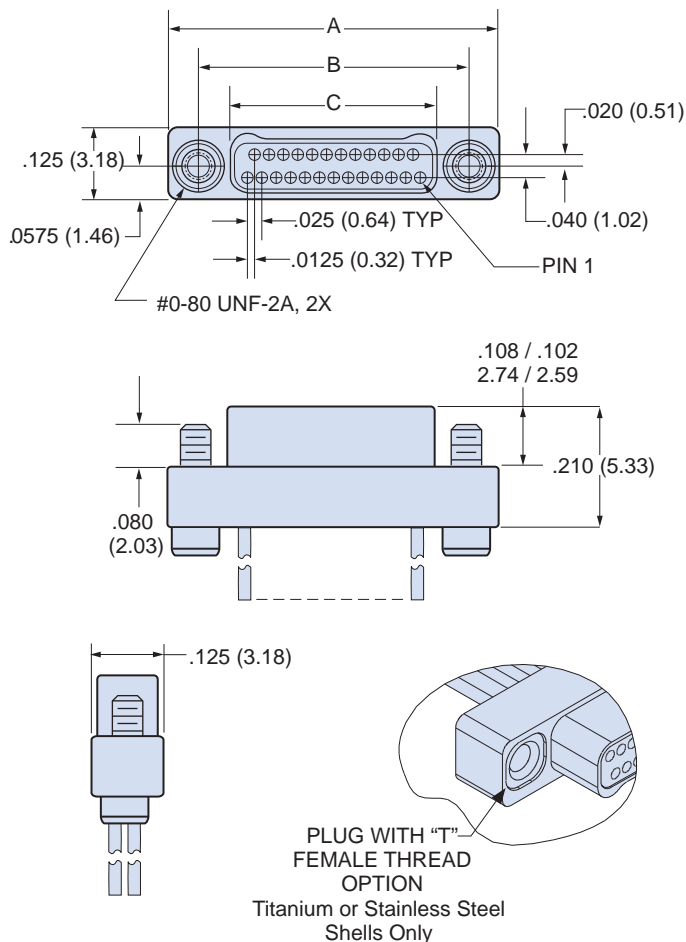
"T" Female Thread Option



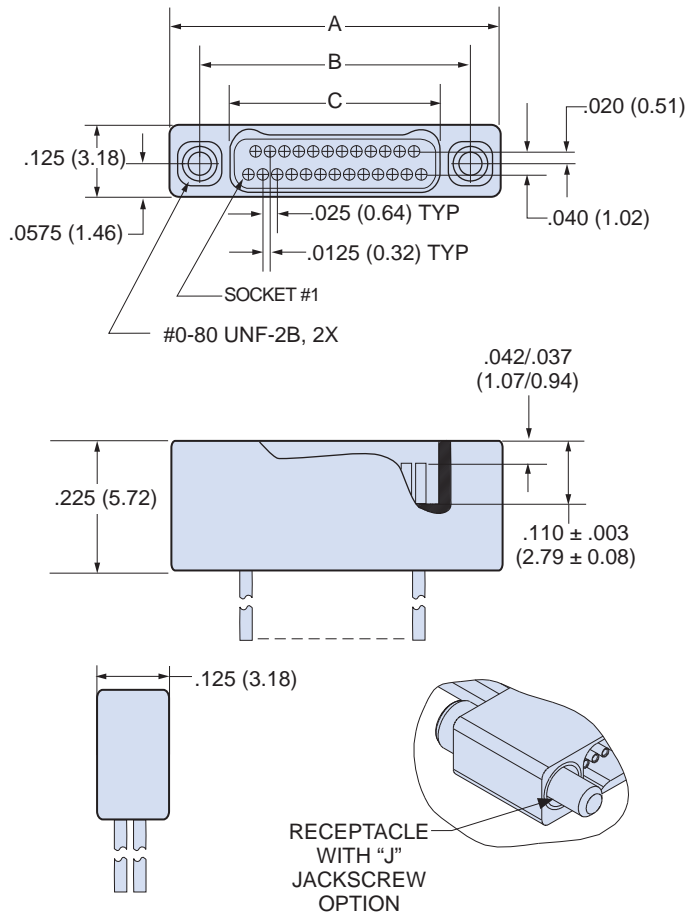
"J" Jackscrew Option

#### DOUBLE ROW NANO PIGTAIL DIMENSIONS

##### Plug (Pin) Connectors



##### Receptacle (Socket) Connectors



Layout	A		B BSC.		C BSC.	
	In. ± .005	mm. ± 0.13	In.	mm.	In.	mm.
9P	.375	9.52	.270	6.86	.160	4.06
9S	.375	9.52	.270	6.86	.163	4.14
15P	.450	11.43	.345	8.76	.235	5.97
15S	.450	11.43	.345	8.76	.238	6.04
21P	.525	13.33	.420	10.67	.310	7.87
21S	.525	13.33	.420	10.67	.313	7.95
25P	.575	14.60	.470	11.94	.360	9.14
25S	.575	14.60	.470	11.94	.363	9.22
31P	.650	16.51	.545	13.84	.435	11.05
31S	.650	16.51	.545	13.84	.438	11.12
37P	.725	18.41	.620	15.75	.510	12.95
37S	.725	18.41	.620	15.75	.513	13.03
51P	.900	22.86	.795	20.19	.685	17.40
51S	.900	22.86	.795	20.19	.688	17.47

# Mouser Electronics

Authorized Distributor

Click to View Pricing, Inventory, Delivery & Lifecycle Information:

## Glenair:

[891-001-15PA2-0C1-36J](#) [891-001-15PA2-0C7-36J](#) [891-001-21PA2-0C7-18J](#) [891-001-31PA2-0C7-36J](#) [891-001-37PA2-0C1-36J](#) [891-001-51PA2-0C7-18J](#) [891-001-9PA2-0A1-18J](#) [891-002-15SA2-0A1-36J](#) [891-002-15SA2-0A7-36J](#) [891-002-15SA2-0B1-36J](#) [891-002-21SA2-0C7-18J](#) [891-002-25SA2-0A7-18J](#) [891-002-25SA2-0A7-36J](#) [891-002-25SA2-0B7-36J](#)