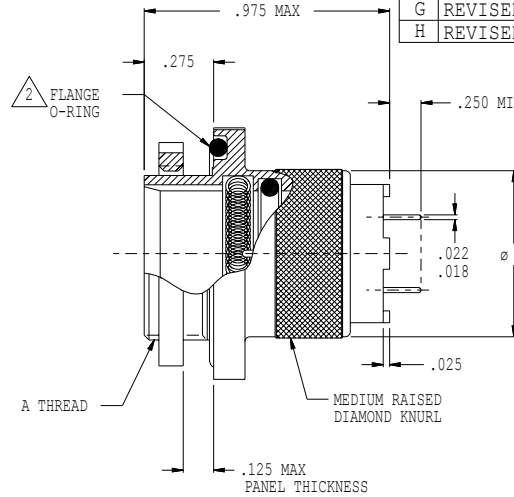
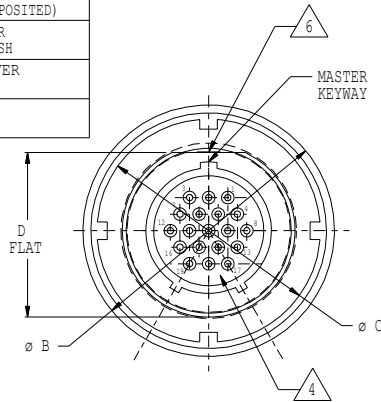
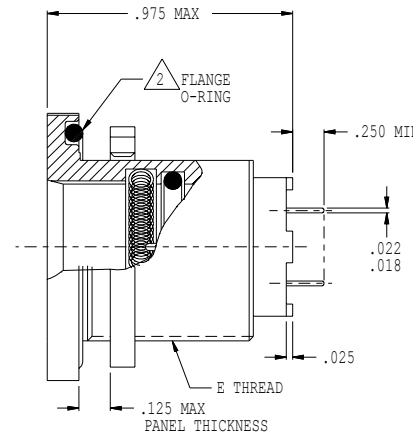


TABLE I		
CLASS	SHELL MATERIAL	FINISH DESCRIPTION
C	ALUMINUM	BLACK ANODIZE FINISH
M		ELECTROLESS NICKEL FINISH (COUPLING NUT ELECTRODEPOSITED)
NF		OLIVE DRAB CADMIUM OVER ELECTROLESS NICKEL FINISH
ZN		ZINC-NICKEL/O. D. OVER ELECTROLESS NICKEL
Z1	STAINLESS STEEL	PASSIVATE

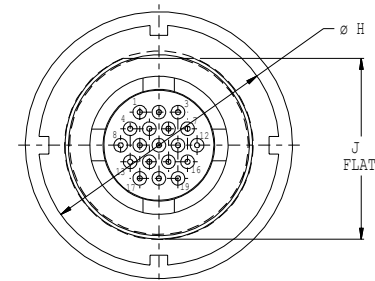
REVISIONS			
SYM.	DESCRIPTION	DATE	APPROVED
D	REVISED PER DCN 23341	01/12/05	GSB
E	REVISED PER DCN 23459	02/03/05	JLT
F	REVISED PER DCN 23492	02/09/05	JLT
G	REVISED PER DCN 23851	04/13/05	GSB
H	REVISED PER DCN 23860	04/15/05	JLT



REAR MOUNT STYLE (07)

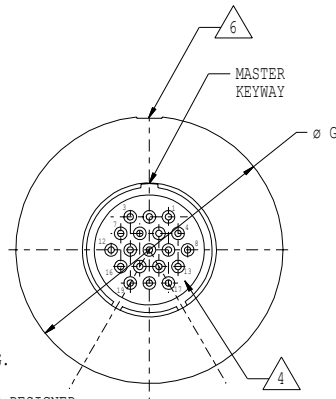


FRONT MOUNT STYLE (00)



L-3 COMM APPLICATION

NO CHANGES PERMITTED
UNLESS APPROVED BY
L-3 COMM



7. THIS PUSH/PULL RECEPTACLE REQUIRES 10 ±4 POUNDS TO FULLY DISENGAGE CONNECTOR.

6. RED STRIPE INDICATOR FOR ALIGNMENT DURING MATING.

5. GLENAIR SERIES OR 807-206 RECEPTACLE CONNECTOR IS DESIGNED TO MATE WITH GLENAIR SERIES OF 807-191 PLUG CONNECTOR.

4. INSERT ARRANGEMENT SHOWN IS FOR REFERENCE ONLY, SEE TABLE III.

3. FOR ADDITIONAL INSERT ARRANGEMENTS CONSULT FACTORY.

2. MATERIAL / FINISH:

SHELL, JAM NUT AL ALLOY OR - CRES/SEE TABLE I.
INSULATORS - HIGH GRADE RIGID DIELECTRIC/N.A.
INTERFACIAL SEAL, - FLUOROSILICONE.
PISTON O-RING- FLUOROSILICONE.
CONTACT- COPPER ALLOY/ GOLD PLATE PER ASTM B 488, TYPE 3,
CLASS 1.25 (.00005 MIN THK), OVER A SUITABLE UNDERPLATE.
DETENT SPRING - CRES/GOLD PLATED
FILLER - EPOXY POTTING/ N.A.
FLANGE O-RING - FLUOROSILICONE (NON-CONDUCTIVE).

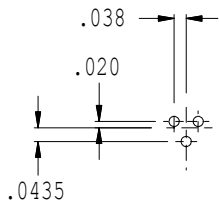
1. ASSEMBLY TO BE IDENTIFIED WITH GLENAIR'S NAME PART NUMBER AND DATE CODE SPACE PERMITTING.

NOTES: UNLESS OTHERWISE SPECIFIED

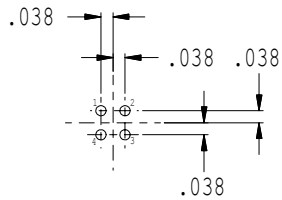
UNLESS OTHERWISE SPECIFIED DIMENSIONS ARE IN INCHES TOLERANCES: FRACTIONS ± 1/16 DECIMALS .XX ±.030 .XXX ±.015 ANGLES ± 1°	DRAWN	R L	05/19/04	GLENAIR, INC. CAD 1997 1211 AIR WAY - GLENDALE - CALIFORNIA 91201	
	CHECK				
	ENGR	GSB	05/19/04		
	 APPROVED				
DO NOT SCALE THIS DRAWING	RELEASE DATE	ORIGINAL	RELEASE DATE	CODE IDENT. NO. 06324 SIZE C 807-206 REV. H	
B/F 04-3857	P/C 807	NON REPARABLE COMMERCIAL ITEM	SCALE N/A	WEIGHT N/A	SHEET 1 OF 4

CONNECTOR RECEPTACLE, PUSH/PULL TYPE.
#23 CONTACTS,
SHELL SIZE 5-15, JAM NUT

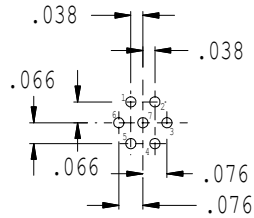
REVISIONS			
SYM.	DESCRIPTION	DATE	APPROVED
	SEE SHEET 1		



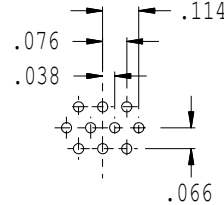
ARRANGEMENT NO. 5-3



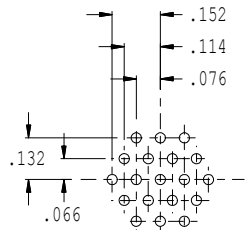
ARRANGEMENT NO. 6-4



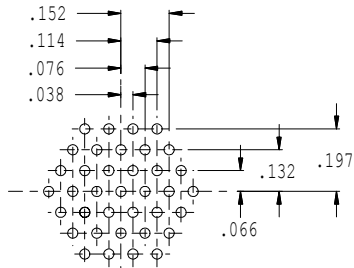
ARRANGEMENT NO. 6-7



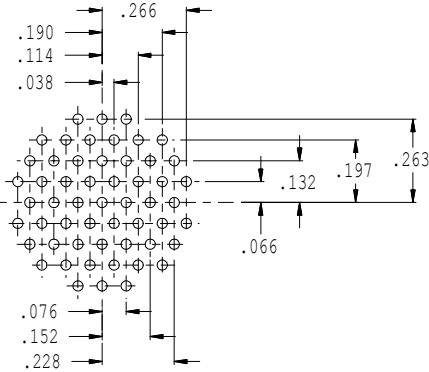
ARRANGEMENT NO. 7-10



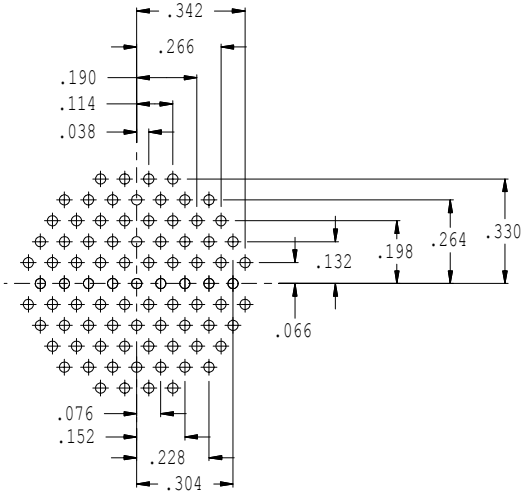
ARRANGEMENT NO. 9-19



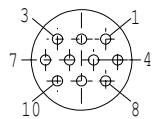
ARRANGEMENT NO. 12-37



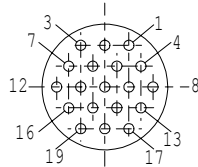
ARRANGEMENT NO. 14-55



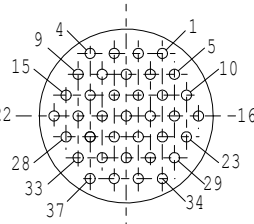
ARRANGEMENT NO. 15-85



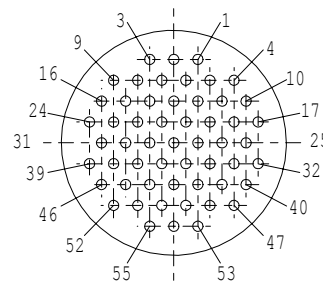
ARRANGEMENT NO. 7-10
PIN FACE SHOWN
(SOCKET FACE OPPOSITE)



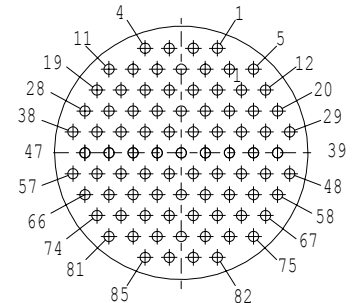
ARRANGEMENT NO. 9-19
PIN FACE SHOWN
(SOCKET FACE OPPOSITE)



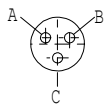
ARRANGEMENT NO. 12-37
PIN FACE SHOWN
(SOCKET FACE OPPOSITE)



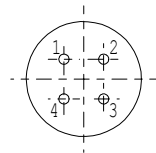
ARRANGEMENT NO. 14-55
PIN FACE SHOWN
(SOCKET FACE OPPOSITE)



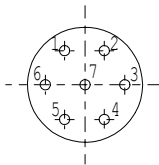
ARRANGEMENT NO. 15-85
PIN FACE SHOWN
(SOCKET FACE OPPOSITE)




ARRANGEMENT NO. 5-3
PIN FACE SHOWN
(SOCKET FACE OPPOSITE)



ARRANGEMENT NO. 6-4
PIN FACE SHOWN
(SOCKET FACE OPPOSITE)



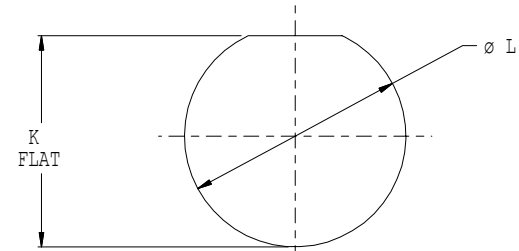
ARRANGEMENT NO. 6-7
PIN FACE SHOWN
(SOCKET FACE OPPOSITE)

UNLESS OTHERWISE SPECIFIED DIMENSIONS ARE IN INCHES TOLERANCES: FRACTIONS ± 1/16 DECIMALS .XX ± .030 .XXX ± .015 ANGLES ± 1°	DRAWN	R L	05/19/04	GLENAIR, INC. CAD 1997 1211 AIR WAY - GLENDALE - CALIFORNIA 91201
	CHECK			
	ENGR	GSB	05/19/04	
	 APPROVED			
DO NOT SCALE THIS DRAWING	RELEASE DATE			CONNECTOR RECEPTACLE, PUSH/PULL TYPE. #23 CONTACTS, SHELL SIZE 5-15, JAM NUT
B/F 04-3857	P/C 807	NON REPARABLE COMMERCIAL ITEM	SCALE N/A	CODE IDENT. NO. 06324
			WEIGHT N/A	SIZE C
			SHEET 4 OF 4	REV. H
				807-206

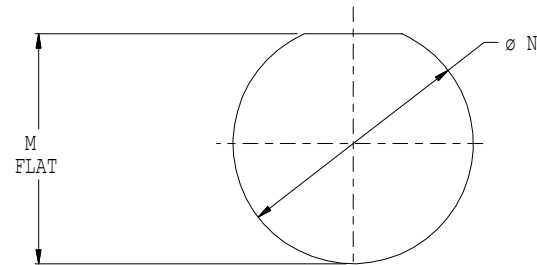
REVISIONS			
SYM.	DESCRIPTION	DATE	APPROVED
	SEE SHEET 1		

EXAMPLE: **PART NUMBER DEVELOPMENT**
807-206 - 07 ZN 9-19 P A

CONNECTOR SERIES _____
 SHELL STYLE _____
 00 = JAM NUT RECEPTACLE, FRONT MOUNT
 07 = JAM NUT RECEPTACLE, REAR MOUNT.
 CLASS _____
 SEE TABLE I
 SHELL SIZE/INSERT ARRANGEMENT NO. _____
 (SEE TABLE II)
 CONTACT STYLE _____
 P = PIN, PC TAIL
 S = SOCKET, PC TAIL
 KEY POSITION _____
 A,B,C,D (SEE TABLE III)



RECOMMENDED PANEL CUTOUT FOR REAR MOUNT JAM NUT RECEPTACLE



RECOMMENDED PANEL CUTOUT FOR FRONT MOUNT JAM NUT RECEPTACLE


UNLESS OTHERWISE SPECIFIED DIMENSIONS ARE IN INCHES TOLERANCES: FRACTIONS $\pm 1/16$ DECIMALS .XX $\pm .030$.XXX $\pm .015$ ANGLES $\pm 1^\circ$	DRAWN	R L	05/19/04	GLENAIR, INC. CAD 1997 ^o 1211 AIR WAY - GLENDALE - CALIFORNIA 91201			
	CHECK						
	ENGR	GSB	05/19/04	 APPROVED APPROVED	CONNECTOR RECEPTACLE, PUSH/PULL TYPE. #23 CONTACTS, SHELL SIZE 5-15, JAM NUT		
	DO NOT SCALE THIS DRAWING				RELEASE DATE	CODE IDENT. NO.	SIZE
B/F 04-3857	P/C 807	NON REPARABLE COMMERCIAL ITEM	ORIGINAL RELEASE DATE	06324	C	807-206	H
			SCALE	N/A	WEIGHT	N/A	SHEET 3 OF 4

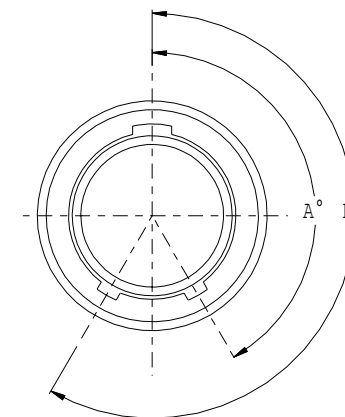
TABLE II									
DIMENSIONS									
SHELL SIZE	A THREAD	ø B	ø C	D-FLAT	E THREAD	ø F	ø G	ø H	J FLAT
5	.4375-32 UN-2A	.790	.660	.415	.5000-32 UN-2A	.450	.830	.730	.470
6	.5000-32 UN-2A	.830	.720	.467	.5625-28 UN-2A	.520	.885	.780	.530
7	.6250-28 UN-2A	.910	.800	.580	.6875-28 UN-2A	.580	1.020	.920	.650
9	.6875-28 UN-2A	1.000	.900	.655	.7500-28 UN-2A	.692	1.075	.970	.720
12	.8750-28 UN-2A	1.180	1.080	.843	1.000-28 UN-2A	.852	1.340	1.230	.970
14	1.0000-28 UN-2A	1.325	1.210	.968	1.062-20 UN-2A	.975	1.390	1.280	1.020
15	1.0625-20 UN-2A	1.390	1.280	1.029	1.125-28 UN-2A	1.030	1.450	1.340	1.093

TABLE II, CONT				
DIMENSIONS				
SHELL SIZE	K FLAT	ø L ±.005	M FLAT	ø N ±.005
5	.427 .423	.448	.482 .478	.510
6	.479 .475	.510	.542 .538	.575
7	.592 .588	.635	.692 .688	.698
9	.667 .663	.695	.732 .728	.760
12	.855 .851	.885	.982 .978	1.010
14	.980 .976	1.010	1.032 1.028	1.075
15	1.041 1.037	1.070	1.015 1.011	1.135


TABLE III			
INSERT ARRANGEMENT			
SHELL SIZE	ARR NO.	CONTACT SIZE	CONTACT QTY
5	5-3	23	3
6	6-4	23	4
	6-7	23	7
7	7-10	23	10
9	9-19	23	19
12	12-37	23	37
14	14-55	23	55
15	15-85	23	85

TABLE IV		
ALTERNATE KEY AND KEYWAY POSITION		
POSITION	A°	B°
A	150°	210°
B	75°	210°
C	95°	230°
D	140°	275°

REVISIONS		
DESCRIPTION	DATE	APPROVED
SEE SHEET 1		



NORMAL AND ALTERNATE POSITION
KEY ROTATION

UNLESS OTHERWISE SPECIFIED DIMENSIONS ARE IN INCHES TOLERANCES: FRACTIONS ± 1/16 DECIMALS .XX ± .030 .XXX ± .015 ANGLES ± 1°	DRAWN	R L	05/19/04	GLENAIR, INC. CAD 1997 1211 AIR WAY - GLENDALE - CALIFORNIA 91201
	CHECK			
	ENGR	GSB	05/19/04	
	 APPROVED			
DO NOT SCALE THIS DRAWING	ORIGINAL RELEASE DATE RELEASE DATE			CODE IDENT. NO. 06324
B/F 04-3857	P/C 807	NON REPARABLE COMMERCIAL ITEM		SIZE C
				807-206
				REV. H
				SCALE N/A WEIGHT N/A SHEET 2 OF 4

Mouser Electronics

Authorized Distributor

Click to View Pricing, Inventory, Delivery & Lifecycle Information:

[Glenair:](#)

[807-206-07NF15-85PA](#) [807-206-07NF15-85PB](#) [807-206-07NF15-85SC](#) [807-206-07NF9-19PD](#)