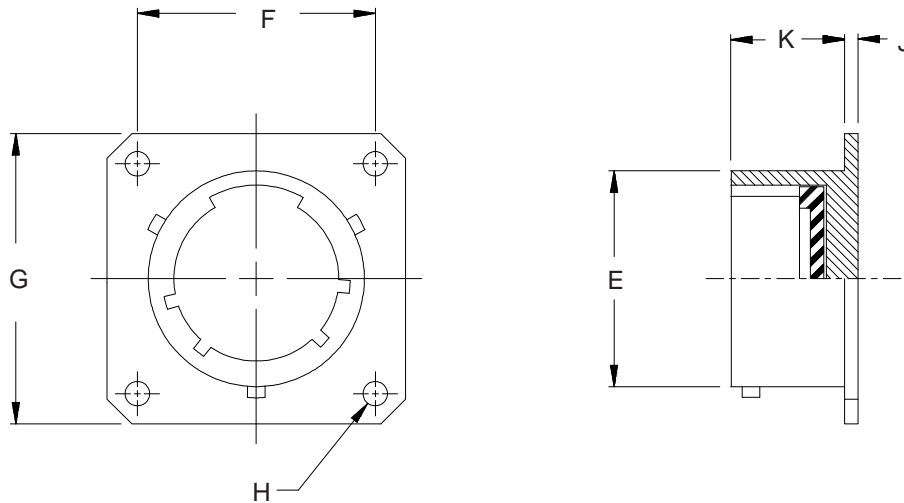
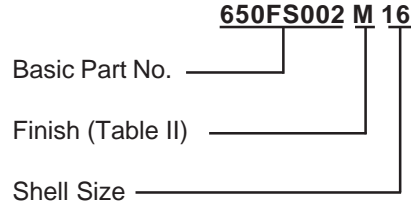


**650FS002**  
**Dummy Stowage Receptacles - Bayonet**  
**MIL-C-38999 Series II**



**MIL-C-38999**  
**Series II**



See inside back cover fold-out or page 14 for Table II.

**TABLE III: DIMENSIONS**

Shell Size	E Max	F	G Max	H Nom	J	K
08	.474 (12.0)	.594 (15.1)	.823 (20.9)	.120 (3.0)	.063 (1.6)	.449 (11.4)
10	.591 (15.0)	.719 (18.3)	.949 (24.1)	.120 (3.0)	.063 (1.6)	.449 (11.4)
12	.751 (19.1)	.812 (20.6)	1.042 (26.5)	.120 (3.0)	.063 (1.6)	.449 (11.4)
14	.876 (22.3)	.906 (23.0)	1.136 (28.9)	.120 (3.0)	.063 (1.6)	.449 (11.4)
16	1.001 (25.4)	.969 (24.6)	1.230 (31.2)	.120 (3.0)	.063 (1.6)	.449 (11.4)
18	1.126 (28.6)	1.062 (27.0)	1.323 (33.6)	.120 (3.0)	.063 (1.6)	.449 (11.4)
20	1.251 (31.8)	1.156 (29.4)	1.449 (36.8)	.120 (3.0)	.063 (1.6)	.449 (11.4)
22	1.376 (35.0)	1.250 (31.8)	1.573 (40.0)	.120 (3.0)	.063 (1.6)	.449 (11.4)
24	1.501 (38.1)	1.375 (34.9)	1.699 (43.2)	.147 (3.7)	.063 (1.6)	.449 (11.4)

1. For complete dimensions see Military Standard MIL-C-38999 Series II.
2. Metric dimensions (mm) are indicated in parentheses.

# Mouser Electronics

Authorized Distributor

Click to View Pricing, Inventory, Delivery & Lifecycle Information:

[Glenair:](#)

[650FS002B08](#)