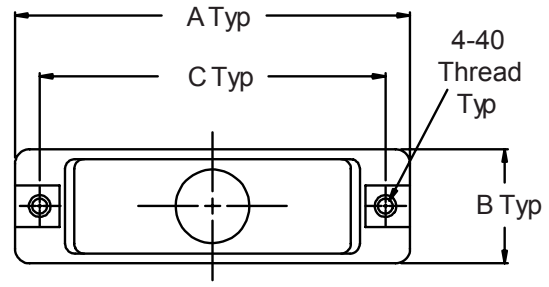
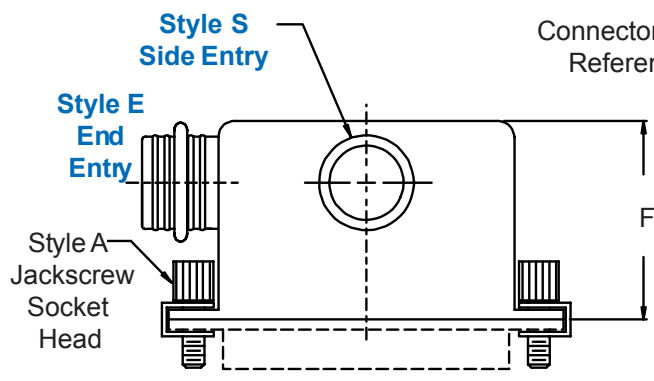
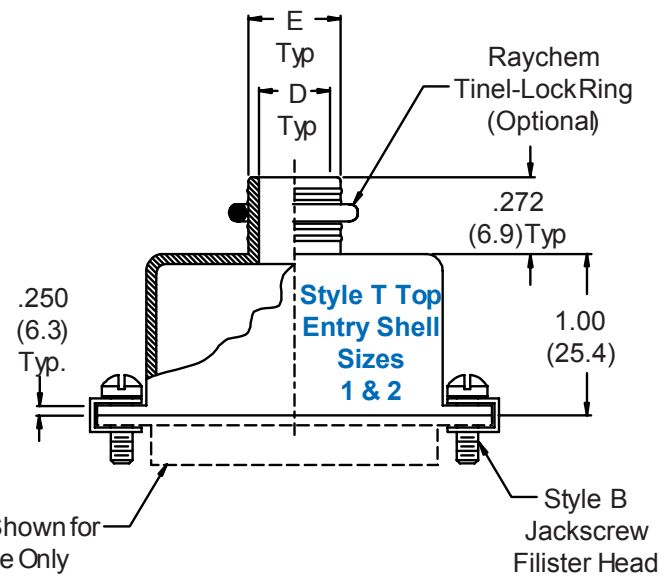
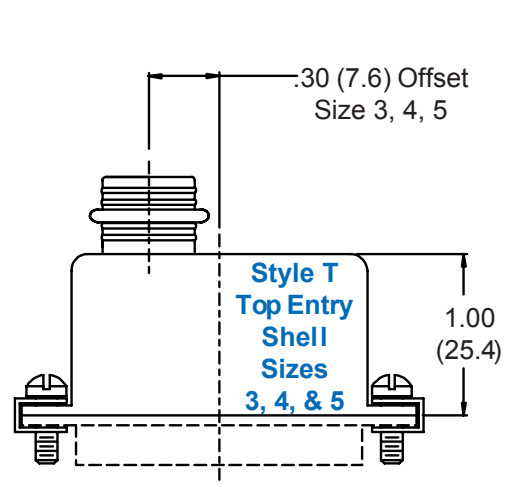
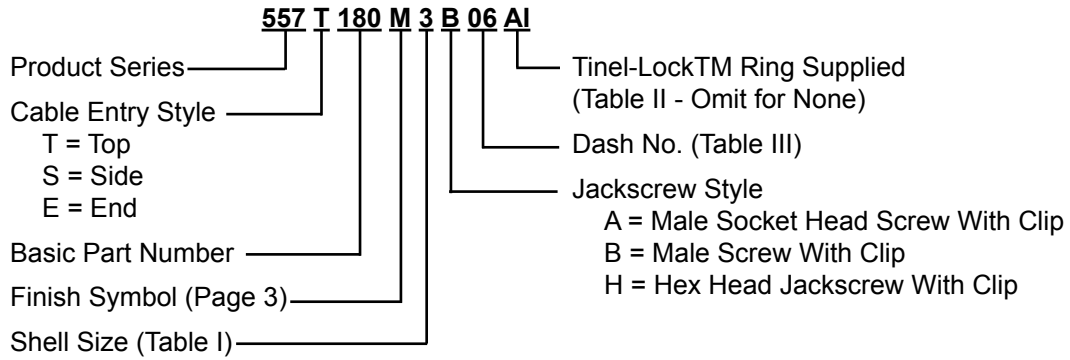


557-180 D-Subminiature Solid Tinel-Lock™ Banding Backshell



Connector Shown for Reference Only

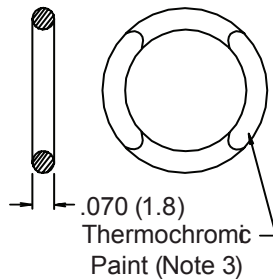
557-180
D-Subminiature Solid
Tinel-Lock™ Banding Backshell



MIL-DTL-24308
D-Subminiature

TABLE I: SHELL SIZE AND CONNECTOR INTERFACE DIMENSIONS

Shell Size	Com'l Shell Size		A	B	C ±.005 (.1)
	Ref				
1	E/09		1.20 (30.6)	.500 (12.7)	.984 (25.0)
2	A/15		1.53 (38.9)	.500 (12.7)	1.312 (33.3)
3	B/25		2.08 (52.8)	.500 (12.7)	1.852 (47.0)
4	C/37		2.72 (69.0)	.500 (12.7)	2.500 (63.5)
5	D/50		2.63 (66.7)	.609 (15.5)	2.406 (61.1)



Tinel-Lock™ Ring Option (See Table II)

TABLE II: TINEL-LOCK™ RING

Braid Type	Ring Desig.
Single Layer 36 AWG	AI
Single Layer 34 AWG	AI
Single Layer 32 AWG	BI
Single Layer 30 AWG	BI
Double Layer 36 AWG	BI
Double Layer 34 AWG	BI
Double Layer 32 AWG	CI

TABLE III: CABLE ENTRY

Dash No.	D Dia	E Dia Max	F Dim	Tinel-Lock™ Ring Entry Size
04	.250 (6.4)	.375 (9.5)	1.25 (31.8)	04
05	.312 (7.9)	.437 (11.1)	1.38 (35.1)	05
06	.375 (9.5)	.500 (12.7)	1.38 (35.1)	06
07	.437 (11.1)	.625 (15.9)	1.50 (38.1)	08
08*	.500 (12.7)	.750 (19.1)	1.50 (38.1)	10

* Available in Shell Size 5 Only.

1. Metric dimensions (mm) are indicated in parentheses.
2. **DO NOT USE CONNECTORS WITH FLOAT MOUNTINGS.**
3. The Tinel-Lock™ Ring designator must be specified according to the type of cable braid used. Tinel-Lock™ Rings are marked with thermochromic paint which changes color when the correct installation temperature is reached. BI rings are identified with a red spot. CI rings are identified with a blue spot.

Mouser Electronics

Authorized Distributor

Click to View Pricing, Inventory, Delivery & Lifecycle Information:

[Glenair:](#)

[557S180M2H06](#)