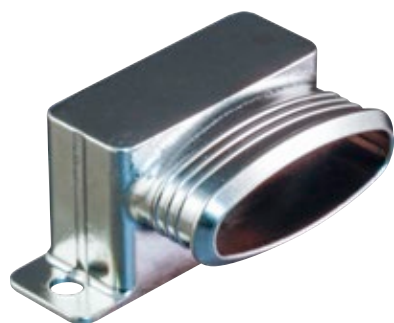


# Lightweight EMI/RFI Elliptical Backshell



Solid shell, elliptical, top and side cable entry - 507-296



**EMI/RFI Elliptical Lightweight Metal Shell Backshells** provides added room for larger wire bundles. Terminate cable shields with Band-Master ATS® Micro Bands.

**Rugged Aluminum** housing with stainless steel hardware, available in standard nickel plating, or choose optional finishes.

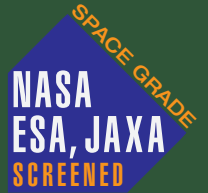
How To Order EMI/RFI Metal Shell Backshells						
<b>Sample Part Number</b>	507T296		M	25	D	H L
<b>Series</b>	507T296 - Top Entry (Straight) 507S296 - Side Entry (90°)					
<b>Finish Symbol</b>	M - Electroless Nickel Z2 - Gold					
<b>Shell Size</b>	09, 15, 21, 25, 31, 37, 51, 51-2, 67, 69, 75, 100 (See Table I)					
<b>Entry Code</b>	<b>Code</b>	<b>G</b>	<b>Available Sizes</b>			
	A	0.320	09 Thru 100			
	B	0.470	15 Thru 100			
	C	0.620	21 Thru 100			
	D	0.720	25 Thru 100			
	E	0.870	31 Thru 100			
	F	0.970	37 Thru 100			
	G	1.020	37 & 51-2 Thru 100			
	H	1.270	51-2 Thru 100			
	J	1.360	51-2, 67 & 100			
K	1.770	67				
<b>Hardware Option</b>	B - Fillister Head Jackscrew E - Extended Jackscrew		H - Socket Head Jackscrew F - Female Jackpost			
<b>EMI Band Strap Option</b>	Omit (Blank) - No Band		M - Uncoiled .125" Wide Band		L - Coiled .125" Wide Band	

## NOTES

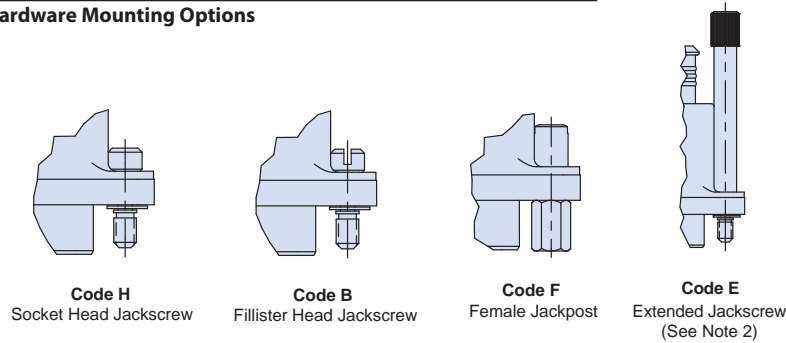
1. See 507-297 for 45° configuration
2. Symbol 'E' extended hardware is not to be used with straight backshell at max cable entry size.

## MATERIAL/FINISH

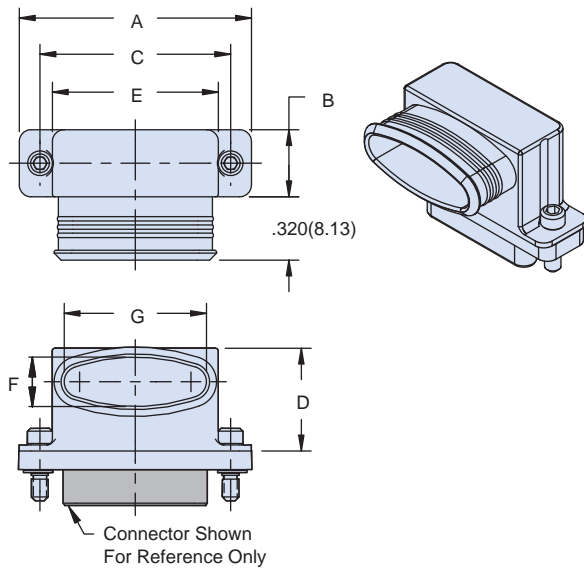
- Backshell - al alloy/see Table 2
- Hardware-cres/pasivated



### Hardware Mounting Options



### Style S Side Entry (90°)



### Style T Top Entry (Straight)

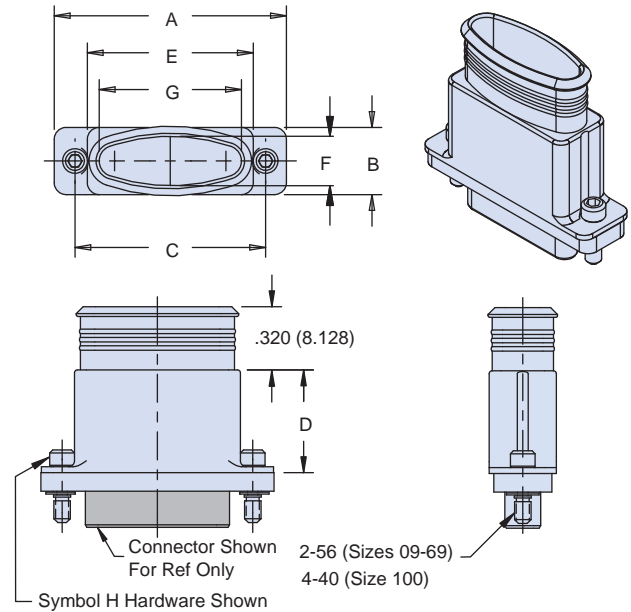


Table I: Dimensions

Size	A		B		C		D		E		F		Max Entry
	in	mm	in	mm	in	mm	in	mm	in	mm	in	mm	
09	0.775	19.69	0.340	8.64	0.565	14.35	0.520	13.21	0.440	11.18	0.250	6.35	A
15	0.925	23.50	0.340	8.64	0.715	18.16	0.520	13.21	0.590	14.99	0.250	6.35	B
21	1.075	27.31	0.340	8.64	0.865	21.97	0.520	13.21	0.740	18.80	0.250	6.35	C
25	1.175	29.85	0.340	8.64	0.965	24.51	0.520	13.21	0.840	21.34	0.250	6.35	D
31	1.325	33.66	0.340	8.64	1.115	28.32	0.520	13.21	0.990	25.15	0.250	6.35	E
37	1.475	37.47	0.340	8.64	1.265	32.13	0.520	13.21	1.140	28.96	0.250	6.35	G
51	1.425	36.20	0.380	9.65	1.215	30.86	0.610	15.49	1.090	27.69	0.290	7.37	F
51-2	1.825	46.36	0.340	8.64	1.615	41.02	0.520	13.21	1.490	37.85	0.250	6.35	J
67	2.225	56.52	0.340	8.64	2.015	51.18	0.520	13.21	1.890	48.01	0.250	6.35	K
69	1.725	43.82	0.380	9.65	1.515	38.48	0.610	15.49	1.390	35.31	0.290	7.37	H
75	2.070	52.58	0.380	9.65	1.705	43.30	0.520	13.20	1.490	37.85	0.290	7.37	J
100	2.160	54.86	0.430	10.92	1.800	45.72	0.630	16.00	1.522	38.66	0.340	8.64	J

# Mouser Electronics

Authorized Distributor

Click to View Pricing, Inventory, Delivery & Lifecycle Information:

[Glenair:](#)

[507S296NF15AH](#) [507S296M15BB](#) [507S296M31EH](#) [507S296M09AHL](#) [507S296M21CB](#) [507S296M37FB](#)  
[507T296M09AF](#) [507T296M21CHL](#) [507T296M25DHL](#) [507T296M51CH](#) [507T296M51BHM](#) [507S296M37FF](#)