

# Qwik-Ty® Strain Reliefs

for MIL-DTL-38999 Series III and IV Connectors

## 450H\*030 Qwik-Ty Strain Relief, Composite, with Ground Lug



**Self-Locking**

**Lightweight, self-locking, conductive.** 450H\*030 Qwik-Ty clamps fit MIL-DTL-38999 Series III and IV connectors. Metallized composite Qwik-Ty has ground lug for attaching a ring terminal with #4 screw. Anti-decoupling mechanism provides audible detented coupling and prevents backoff under high vibration. Secure wire bundle with plastic strap or lacing tape (not included).

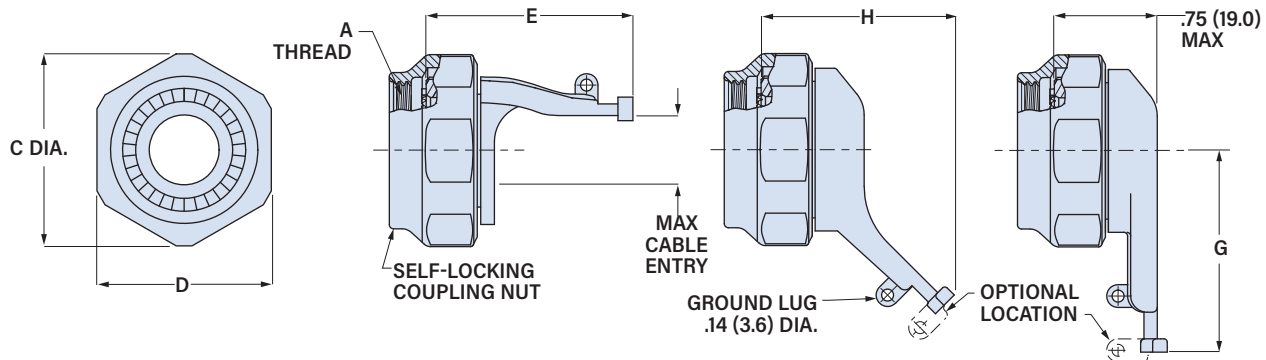
**Adapter Code H**  
 This accessory fits these connectors:  
 MIL-DTL-38999 Series III and Series IV

**PART NUMBER**

**450HS030 M 21**

Base P/N	<b>450HS030</b> Straight
	<b>450HA030</b> 90°
	<b>450HB030</b> 45°
Finish	<b>XM</b> Electroless Nickel
	<b>XMT</b> Nickel-PTFE
	<b>XW</b> Olive Drab Cadmium
	<b>XZN</b> Black Zinc-Nickel

Shell Size	Shell Size	9	11	13	15	17	19	21	23	25
	Size Code	<b>09</b>	<b>11</b>	<b>13</b>	<b>15</b>	<b>17</b>	<b>19</b>	<b>21</b>	<b>23</b>	<b>25</b>



Shell Size	A Thread	øC Max		D Hex Flats		E Max		G Max		H Max		Max Cable Entry	
		In.	mm.	In.	mm.	In.	mm.	In.	mm.	In.	mm.	In.	mm.
9 (A)	M12X1.0-6H	.86	21.8	.750	19.1	1.14	29.0	1.22	31.0	1.14	29.0	.25	6.4
11 (B)	M15X1.0-6H	.98	24.9	.875	22.4	1.14	29.0	1.29	32.8	1.14	29.0	.38	9.7
13 (C)	M18X1.0-6H	1.16	29.5	1.000	25.4	1.20	30.5	1.62	41.1	1.14	29.0	.50	12.7
15 (D)	M22X1.0-6H	1.28	32.5	1.125	28.6	1.38	35.1	1.66	42.2	1.64	41.7	.63	16.0
17 (E)	M25X1.0-6H	1.41	35.8	1.250	31.8	1.38	35.1	1.72	43.7	1.64	41.7	.75	19.1
19 (F)	M28X1.0-6H	1.52	38.6	1.375	34.9	1.44	36.6	1.72	43.7	1.74	44.2	.81	21.8
21 (G)	M31X1.0-6H	1.64	41.7	1.500	38.1	1.57	39.9	1.79	45.5	1.74	44.2	.94	23.9
23 (H)	M34X1.0-6H	1.77	45.0	1.625	41.3	1.69	42.9	1.85	47.0	1.74	44.2	1.06	26.9
25 (J)	M37X1.0-6H	1.89	48.0	1.750	44.5	1.83	46.5	1.91	48.5	1.95	49.5	1.19	30.2

# Mouser Electronics

Authorized Distributor

Click to View Pricing, Inventory, Delivery & Lifecycle Information:

## Glenair:

[450HA030XMT09](#) [450HA030XMT11](#) [450HA030XMT19](#) [450HA030XMT23](#) [450HA030XW11](#) [450HA030XW13](#)  
[450HA030XW21](#) [450HA030XW25](#) [450HB030XMT13](#) [450HB030XMT21](#) [450HB030XMT23](#) [450HB030XMT25](#)  
[450HS030XB15](#) [450HS030XMT09](#) [450HS030XMT19](#)