

244-004

**MIL-DTL-38999 Series III Type TVS Connector**  
**Rear Panel Mount Receptacle with RJ45 Jack to Rear Solder Cup or**  
**PC Tail Termination and Accessory Threads**



TVS Connectors



How to Order	
Sample Part Number	244-004 NF 19 P G N 1
Basic Number	244-004
Finish <sup>1</sup>	See Material & Finish Table
Shell Size	17 or 19
Termination	P = PC tail S = Solder cup
Insert-to-Shell Grounding	G = Shielded and grounded to shell
Alternate Key Position	Per MIL-DTL-38999 A, B, C, D, E, N = Normal
RJ45 Orientation	1, 2, 3, or 4

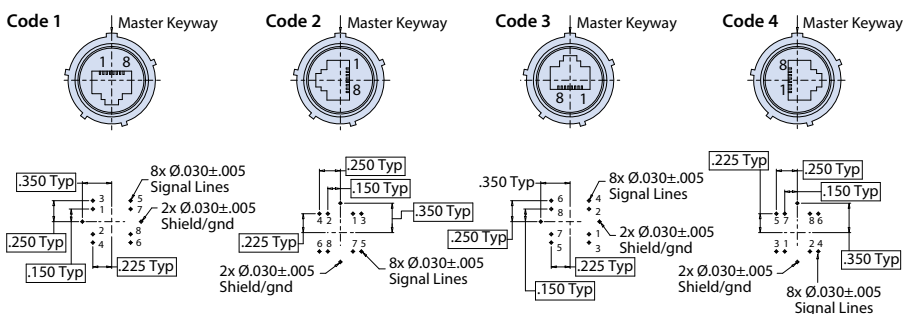
Materials and Finishes <sup>1</sup>	
NF	Cadmium olive drab
ME	Electroless nickel
MT	Nickel PTFE

**NOTES**

- See Section A for alternate key positions, panel cutout dimensions and complete finish options

*All external dimensions, features, etc. compliant with D38999/20, /24, &/26. Consult factory for additional information.*

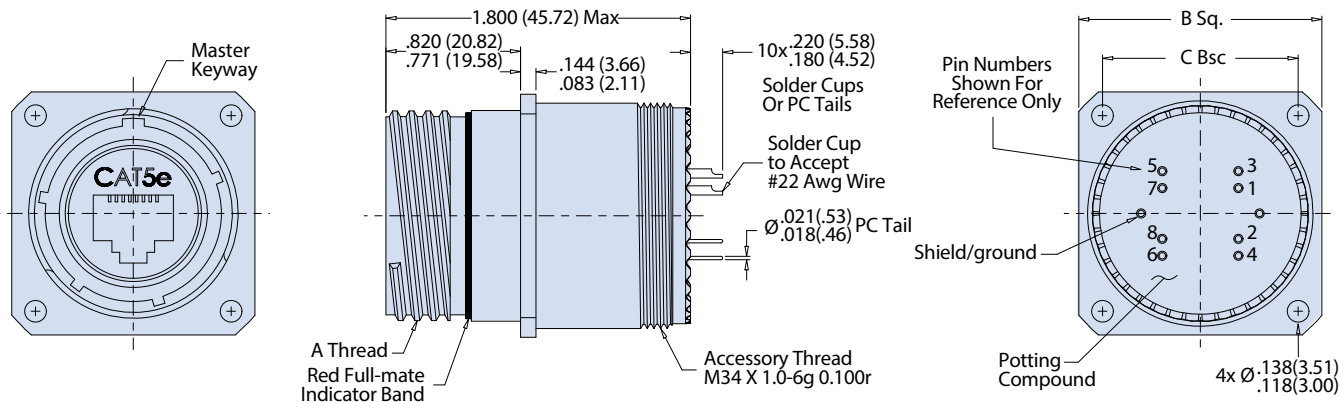
**RJ45 ORIENTATION CODE AND PCB LAYOUT (PCB LAYOUT FOR PC TAIL VERSION)**



Component Mounting Side

		Jam Nut Dimensions							
Shell Size	A Thread	B Sq.		C Bsc		Ø D Min		E Bsc	
		in	mm	in	mm	in	mm	in	mm
17	1.1875-.1P-.3L-TS-2A	1.323 1.299	33.60 32.99	1.062	26.97	1.219	30.96	1.062	26.97
19	1.2500-.1P-.3L-TS-2A	1.449 1.425	36.80 36.195	1.156	29.36	1.297	32.94	1.156	29.36

**REAR PANEL MOUNT RECEPTACLE WITH ACCESSORY THREADS**



Dimensions in inches (millimeters) and are subject to change without notice.

# Mouser Electronics

Authorized Distributor

Click to View Pricing, Inventory, Delivery & Lifecycle Information:

[Glenair:](#)

[244-004MT17SGN3](#)